



# Illustrated Parts Manual

## *Model* **260MRT**

3121802

December 31, 2010



An Oshkosh Corporation Company



# REVISION LOG

March 27, 2000 - Original Issue Of Manual (Edited to Rev. 5)  
July 5, 2000 - Updated Pages 1-2, 1-3, 6-2, 6-3 & 6-4  
September 5, 2000 - Revised Manual (Revised to B/M 0010567 Revision 9)  
February 1, 2001 - Revised Manual (Revised to B/M 0010567 Revision 14)  
February 1, 2002 - Revised Manual (Revised to B/M 0010567 Revision 16)  
July 15, 2002 - Revised Manual (Revised to B/M 0010567 Revision 21)  
February 11, 2003 - Revised Manual (Revised to B/M 0010567 Revision 22)  
May 1, 2003 - Revised Manual (Revised to B/M 0010567 Revision 26)  
August 15, 2003 - Revised Manual (Revised to B/M 0010567 Revision 28)  
March 4, 2004 - Revised Manual (Revised to B/M 0010567 Revision 30)  
August 15, 2004 - Revised Manual (Revised to B/M 0010567 Revision 31)  
February 7, 2005 - Revised Manual (Revised to B/M 0010567 Revision 37)  
February 27, 2006 - Revised Manual (Revised to B/M 0010567 Revision 45)  
July 15, 2006 - Revised Manual (Revised to B/M 0010567 Revision 45)  
December 18, 2006 - Revised Manual (Revised to B/M 0010567 Revision 45)  
April 15, 2007 - Revised Manual (Revised to B/M 0010567 Revision 45)  
November 1, 2007 - Revised Manual (Revised to B/M 0010567 Revision 45)  
May 31, 2008 - Revised Manual (Revised to B/M 0010567 Revision 53)  
June 1, 2009 - Revised Manual (Revised to B/M 0010567 Revision 55)  
December 31, 2010 - Revised Manual (Revised to B/M 0010567 Revision 55)

# REVISION LOG

# TABLE OF CONTENTS

FIGURE NO.	TITLE	PAGE NO.
<b>SECTION 1 - FRAME</b>		<b>1-1</b>
1-1	FRAME AND STEERING INSTALLATION	1-2
1-2	MOTOR/BRAKE/HUB ASSEMBLY (REAR) (PRIOR TO S/N 78291 & S/N 104784 TO PRESENT)	1-6
1-3	MOTOR/BRAKE/HUB ASSEMBLY (REAR) (S/N 78291 TO S/N 104784 ONLY)	1-10
1-4	MOTOR/BRAKE/HUB ASSEMBLY (FRONT) (PRIOR TO S/N 78291 & S/N 112814 TO PRESENT)	1-14
1-5	MOTOR/BRAKE/HUB ASSEMBLY (FRONT) (S/N 78291 TO S/N 112814 ONLY)	1-16
1-6	FRAME MOUNTED COMPONENTS INSTALLATION	1-18
1-7	LEVELING JACKS INSTALLATION (PRIOR TO S/N 141689)	1-22
1-8	LEVELING JACKS AUTO LEVEL INSTALLATION (AUSTRALIAN SPEC S/N 128985 TO PRESENT & CE SPEC 141689 TO PRESENT)	1-26
<b>SECTION 2 - GROUND CONTROLS</b>		<b>2-1</b>
2-1	CONTROL VALVES AND TANK INSTALLATION	2-2
2-2	MAIN VALVE ASSEMBLY	2-6
2-3	FLOW DIVIDER ASSEMBLY	2-8
2-4	KUBOTA ENGINE INSTALLATION (DIESEL)	2-10
2-5	VARIABLE DISPLACEMENT PUMP ASSEMBLY (PRIOR TO S/N 117591)	2-16
2-6	VARIABLE DISPLACEMENT PUMP ASSEMBLY (S/N 117591 TO PRESENT)	2-20
2-7	GEAR PUMP ASSEMBLY (PRIOR TO S/N 111922)	2-24
2-8	GEAR PUMP ASSEMBLY (S/N 111922 TO PRESENT)	2-26
2-9	GROUND CONTROLS INSTALLATION	2-28
2-10	HOODS INSTALLATION	2-32
<b>SECTION 3 - SCISSORS ARMS</b>		<b>3-1</b>
3-1	SCISSOR ARMS INSTALLATION	3-2
3-2	ARM GUARDS INSTALLATION	3-6
<b>SECTION 4 - PLATFORM</b>		<b>4-1</b>
4-1	PLATFORM COMPONENTS INSTALLATION	4-2
4-2	HANDRAIL INSTALLATION (SWING GATE)	4-6
4-3	CONSOLE BOX ASSEMBLY	4-10
4-4	DRIVE/STEER CONTROLLER ASSEMBLY (PRIOR TO S/N 142023)	4-14
4-5	DRIVE/STEER CONTROLLER ASSEMBLY (S/N 142023 TO PRESENT)	4-16
4-6	PLATFORM RAIL PADDING/DECK BUMPERS INSTALLATION	4-18
<b>SECTION 5 - CYLINDER</b>		<b>5-1</b>
5-1	LEVELING JACKS CYLINDER ASSEMBLY (PRIOR TO S/N 105371)	5-2
5-2	LEVELING JACKS CYLINDER ASSEMBLY (S/N 105371 TO S/N 141689)	5-4
5-3	LEVELING JACKS CYLINDER ASSEMBLY (AUTO LEVEL) (AUSTRALIAN SPEC S/N 128985 TO PRESENT & CE SPEC 141689 TO PRESENT)	5-6
5-4	LIFT CYLINDER COMPONENTS ASSEMBLY	5-8
5-5	STEER CYLINDER ASSEMBLY	5-10

# TABLE OF CONTENTS

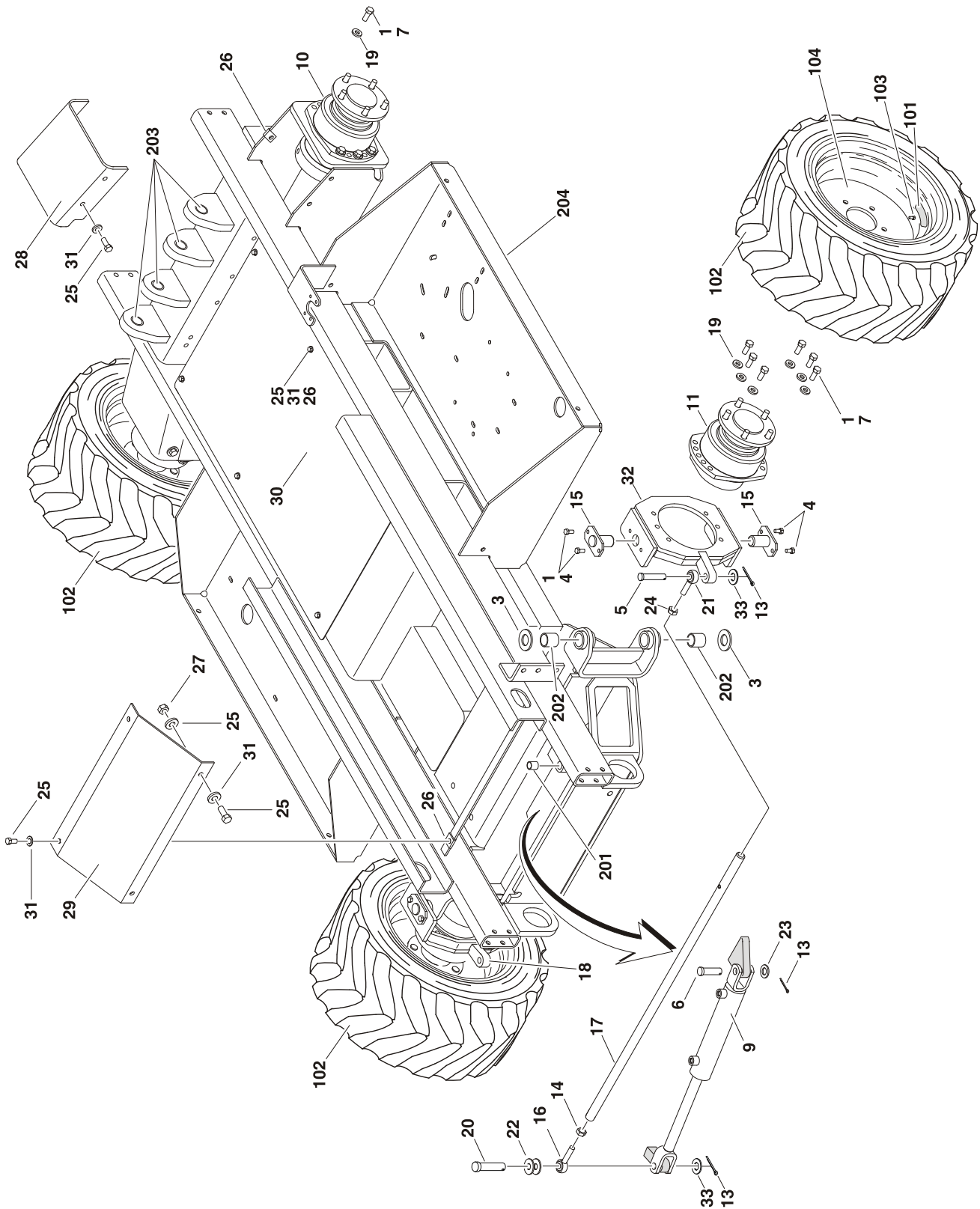
FIGURE NO.	TITLE	PAGE NO.
<b>SECTION 6 - HYDRAULIC</b>		<b>6-1</b>
6-1	DRIVE HYDRAULIC DIAGRAM (STANDARD) (PRIOR TO S/N 141689)	6-2
6-2	DRIVE HYDRAULIC DIAGRAM (STANDARD) (S/N 141689 TO PRESENT)	6-6
6-3	DRIVE HYDRAULIC DIAGRAM (LEVELING JACKS) (PRIOR TO S/N 141689)	6-10
6-4	DRIVE HYDRAULIC DIAGRAM (AUTO LEVEL LEVELING JACKS) (AUSTRALIAN SPEC S/N 128985 TO PRESENT & CE SPEC 141689 TO PRESENT)	6-12
6-5	HYDRAULIC DIAGRAM LIST	6-14
<b>SECTION 7 - ELECTRICAL</b>		<b>7-1</b>
7-1	ELECTRICAL SCHEMATIC (STANDARD)	7-2
7-2	ELECTRICAL SCHEMATIC (AUTO LEVEL LEVELING JACKS) (AUSTRALIAN SPEC S/N 128985 TO PRESENT & CE SPEC 141689 TO PRESENT)	7-4
7-3	ELECTRICAL COMPONENTS INSTALLATION (PRIOR TO S/N 141689)	7-8
7-4	ELECTRICAL COMPONENTS INSTALLATION (S/N 141689 TO PRESENT)	7-14
<b>SECTION 8 - DECALS</b>		<b>8-1</b>
8-1	DECAL INSTALLATION (PRIOR TO S/N 149779)	8-2
8-2	DECAL INSTALLATION (S/N 149779 TO PRESENT)	8-6
<b>SECTION 9 - RECOMMENDED SERVICE PARTS STOCK</b>		<b>9-1</b>
<b>SECTION 10 - SPECIAL OPTIONS</b>		<b>10-1</b>
<b>SECTION 11 - PART NUMBER INDEX</b>		<b>11-1</b>

# **SECTION 1**

## **FRAME**

# SECTION 1 FRAME

## FIGURE 1-1. FRAME AND STEERING INSTALLATION





# SECTION 1 FRAME

**FIGURE 1-1. FRAME AND STEERING INSTALLATION**

ITEM #	PART NUMBER	QTY.	DESCRIPTION	REV.
	0259648	Ref.	<b>STEERING &amp; DRIVE INSTALLATION (4WD/2WS)</b>	K
1	0100011	A/R	Loctite, #242	
2	Not Used			
3	0440237	4	Bearing, Thrust	
4	0641606	8	Bolt 3/8"-16NC x 3/4"	
5		1	Options:	
	0642024		Bolt 5/8"-11NC x 3" (Prior to S/N 76006)	
	3431024		Pin, Clevis (S/N 76006 to Present)	
6	3431220	1	Pin, Flat Head Clevis	
7	0681810	24	Bolt 1/2"-13NC x 1 1/4"	
8	Not Used			
9	1683957	1	Steer Cylinder Assembly (See Section 5 for Breakdown)	
10		2	Motor/Brake/Hub Assembly (Rear) Options:	
	3160244		Prior to S/N 78291 (See Figure 1-2 for Breakdown)	
	3160254		S/N 78291 to S/N 104784 (See Figure 1-3 for Breakdown)	
	3160244		S/N 104784 to Present (See Figure 1-2 for Breakdown)	
11		2	Motor/Hub Assembly (Front) Options:	
	3160245		Prior to S/N 78291 (See Figure 1-4 for Breakdown)	
	3160255		S/N 78291 to S/N 112814 (See Figure 1-5 for Breakdown)	
	3160245		S/N 112814 to Present (See Figure 1-4 for Breakdown)	
12	3312005	2	Locknut 5/8"-11NC (Prior to S/N 76006)	
13	3450406	3	Pin, Cotter	
14	3322002	1	Nut, Jam (Right Hand Thread)	
15	3422803	4	Pin, King	
16	3841146	1	Rod, Tie Rod End	
17	3841468	1	Rod, Tie Rod	
18	4130377	1	Spindle (Right Side)	
19	4891800	24	Flatwasher 1/2" (Hardened)	
20		1	Options:	
	0642028		Bolt 5/8"-11NC x 3 1/2" (Prior to S/N 76006)	
	3431032		Pin, Clevis (S/N 76006 to Present)	
21	3841469	1	Rod, Tie Rod End	
22	4752000	2	Flatwasher 5/8" (Wide)	
23	4712200	1	Flatwasher 3/4" (Narrow)	
24	3300409	1	Nut, Jam (Left Hand Thread)	
25	0641508	18	Bolt 5/16"-18NC x 1" (Prior to S/N 128810)	
26	2080053	16	Fastener 5/16"-18NC (Prior to S/N 128810)	
27	3311505	2	Locknut 5/16"-18NC (Prior to S/N 128810)	
28	3572324	2	Cover, Rear Axle (Prior to S/N 128810)	
29	3572325	1	Cover, Steer Cylinder (Prior to S/N 128810)	
30	3572326	1	Cover, Center Frame (Prior to S/N 128810)	
31	4711500	20	Flatwasher 5/16" (Narrow) (Prior to S/N 128810)	
32	4130380	1	Spindle (Left Side)	
33	4712000	2	Flatwasher 5/8" (Narrow)	
	2902215	1	----- Kit - Cover Plates (Includes Items 28, 29 & 30)	

# SECTION 1 FRAME

**FIGURE 1-1. FRAME AND STEERING INSTALLATION (CONTINUED)**

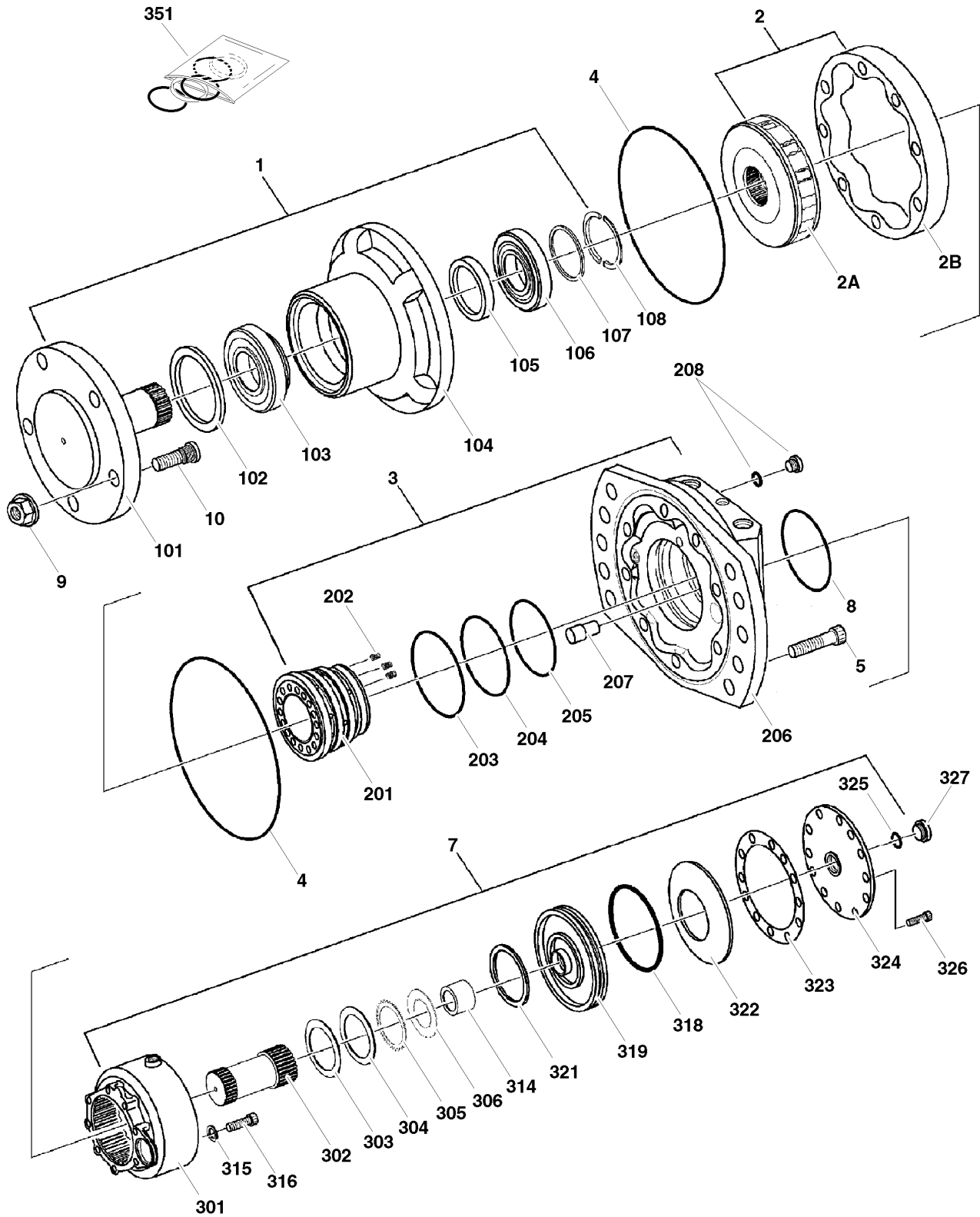
ITEM #	PART NUMBER	QTY.	DESCRIPTION	REV.
		Ref.	<b>TIRE AND WHEEL INSTALLATIONS OPTIONS:</b>	
	0259781	Ref.	(26 x 12.00) Foam Filled	B
	1001100370	Ref.	(26 x 12.00) Foam Filled Non-Marking	A
		A/R	Tire & Wheel Assembly Options:	
	0259977		26 x 12.00 Foam Filled (Right Side)	
	0259978		26 x 12.00 Foam Filled (Left Side)	
	1001100372		26 x 12.00 Foam Filled Non-Marking (Right Side)	
	1001100373		26 x 12.00 Foam Filled Non-Marking (Left Side)	
		Ref.	<b>Note: Assemblies may require ballast/foam filling to manufacturer's specifications prior to installing on a machine. Refer to Operation &amp; Safety or Service &amp; Maintenance Manuals. Purchase individual tire and/or rim only if able to foam fill tire &amp; wheel assembly, otherwise, purchase complete assembly.</b>	
		Ref.	<b>TIRE AND WHEEL ASSEMBLY COMPONENTS</b>	E
101	Not Required	A/R	Decal - 45 PSI (Pneumatic Only)	
102		4	Tire Option (26 x 12.00):	
	4520233		Standard	
	1001100371		Non Marking	
103	Not Required	A/R	Valve, Air (Pneumatic Only)	
104	4860207	4	Rim	
		Ref.	<b>FRAME WELDMENT OPTIONS:</b>	
	Use 0272393	Ref.	<b>Prior to S/N 105000 (Was p/n 2360523 - Required bearings be purchased separately)</b>	N
	0272393	Ref.	<b>S/N 105000 to Present (Includes Bearings)</b>	H
201	0440228	1	Bearing (Steer Lug Pivot)	
202	0962220	4	Bearing (Kingpin Pivot)	
203	0962234	4	Bearing (Scissors Arms Pivot)	
204	2360523	1	Frame Weldment	

**FIGURE 1-1. FRAME AND STEERING INSTALLATION (CONTINUED)**

ITEM #	PART NUMBER	QTY.	DESCRIPTION	REV.

# SECTION 1 FRAME

FIGURE 1-2. MOTOR/BRAKE/HUB ASSEMBLY (REAR) (PRIOR TO S/N 78291 & S/N 104784 TO PRESENT)



## SECTION 1 FRAME

**FIGURE 1-2. MOTOR/BRAKE/HUB ASSEMBLY (REAR) (PRIOR TO S/N 78291 & S/N 104784 TO PRESENT)**

ITEM #	PART NUMBER	QTY.	DESCRIPTION	REV.
	3160244	Ref.	<b>DRIVE MOTOR ASSEMBLY</b>	D
1	Not Available	1	Front Housing Assembly (See Items 101 to 108 for Breakdown)	
2	Not Available	1	Rotary Assembly	
2A	Not Available	1	Rotary without Cam	
2B	Not Available	1	Cam	
3	Not Available	1	Rear Housing Assembly (See Items 201 to 208 for Breakdown)	
4	Use Item 351	2	Seal, Square	
5	Not Available	6	Screw, Cap	
6	Not Used			
7	Not Available	1	Brake Assembly (See Items 301 to 327 for Breakdown)	
8	Use Item 351	1	Seal, Square	
9	7023806	5	Lugnut	
10	7023807	5	Stud, Wheel	
		Ref.	<b>FRONT HOUSING ASSEMBLY</b>	
101	7022586	1	Shaft	
102	Use Item 351	1	Seal, Face	
103	7022587	1	Bearing, Front	
104	Not Available	1	Casting, Front	
105	Use Item 351	1	Seal, Shaft	
106	7022588	1	Bearing, Rear	
107	Not Available	1	Washer	
108	7022589	1	Ring, Split	
		Ref.	<b>REAR HOUSING ASSEMBLY</b>	
201	Not Available	1	Ring, Distributor	
202	Not Available	9	Spring	
203	Use Item 351	1	Seal, Nylon	
204	Use Item 351	1	Seal, Nylon	
205	Use Item 351	1	Seal, Nylon	
206	Not Available	1	Housing, Rear	
207	7022590	1	Pin, Stop	
208	7022591	1	Plug (O-Ring Supplied with Plug)	
		Ref.	<b>BRAKE ASSEMBLY</b>	
301	Not Available	1	Housing, Brake	
302	7022592	1	Shaft	
303	7022593	1	Shim	
304	7022594	1	Shim	
305	7022595	15	Disc, Outer Brake	
306	7022596	13	Disc, Inner Brake	
307 to 313	Not Used			
314	7022597	1	Bushing	
315	Not Available	8	Washer	
316	Not Available	8	Screw, Cap	

# SECTION 1 FRAME

**FIGURE 1-2. MOTOR/BRAKE/HUB ASSEMBLY (REAR) (PRIOR TO S/N 78291 & S/N 104784 TO PRESENT) (CONTINUED)**

ITEM #	PART NUMBER	QTY.	DESCRIPTION	REV.
317	Not Used			
318	Use Item 351	1	Ring, Square	
319	7022598	1	Piston, Brake	
320	Not Used			
321	Use Item 351	1	Seal, Outer	
322	7022599	1	Washer, Bellville	
323	Use Item 351	1	Gasket	
324	Not Available	1	Cover, End	
325	Use Item 351	1	O-Ring	
326	Not Available	12	Screw, Cap	
327	7023800	1	Plug	
328 to 350	Not Used			
351	7022585		----- Seal Kit - (Includes Items 4,8,102,105,203-205,318,321,323 & 325)	

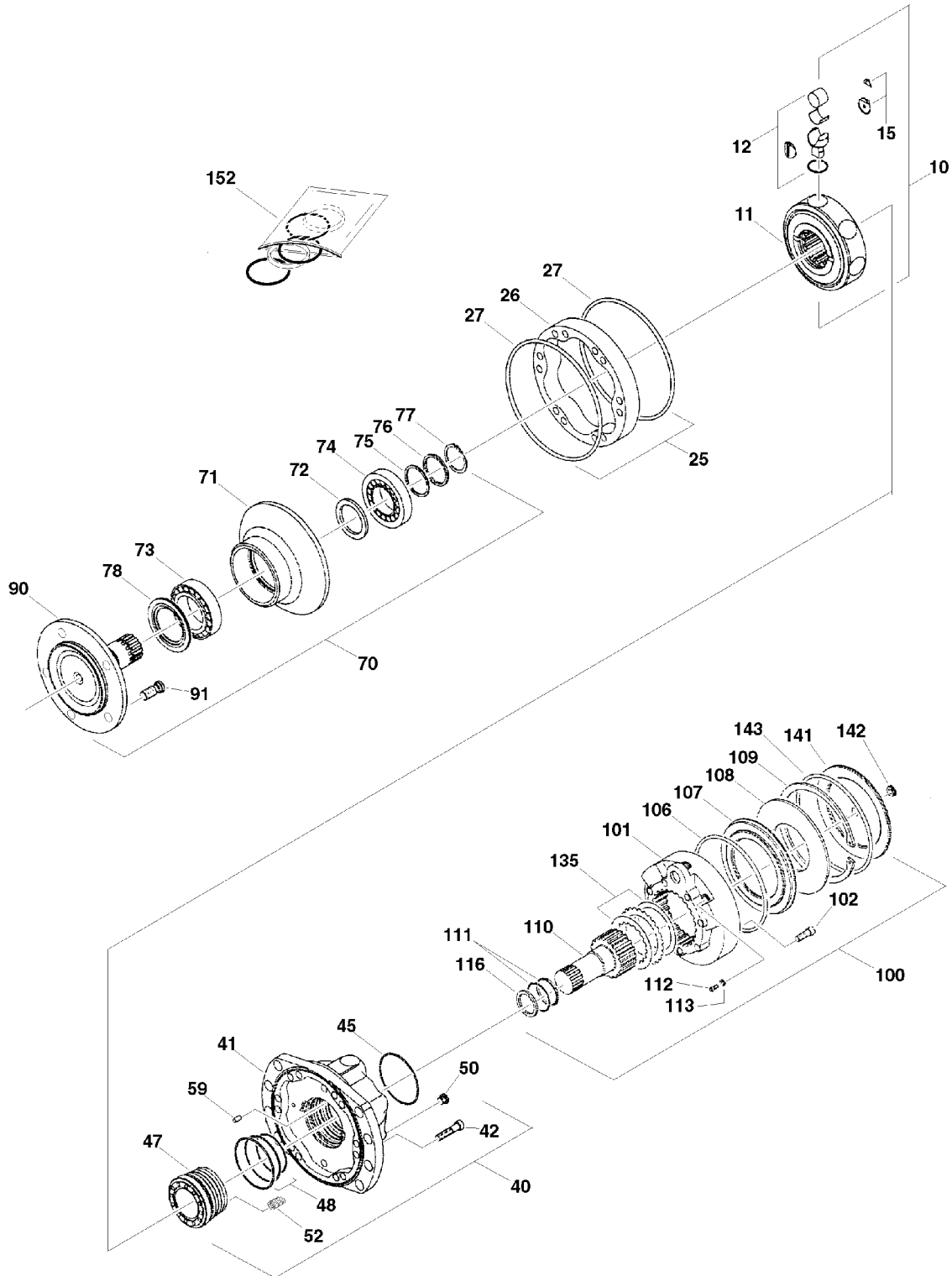
**SECTION 1 FRAME**

**FIGURE 1-2. MOTOR/BRAKE/HUB ASSEMBLY (REAR) (PRIOR TO S/N 78291 & S/N 104784 TO PRESENT) (CONTINUED)**

ITEM #	PART NUMBER	QTY.	DESCRIPTION	REV.

# SECTION 1 FRAME

FIGURE 1-3. MOTOR/BRAKE/HUB ASSEMBLY (REAR) (S/N 78291 TO S/N 104784 ONLY)





## SECTION 1 FRAME

**FIGURE 1-3. MOTOR/BRAKE/HUB ASSEMBLY (REAR) (S/N 78291 TO S/N 104784 ONLY)**

ITEM #	PART NUMBER	QTY.	DESCRIPTION	REV.
	3160254	Ref.	<b>DRIVE MOTOR ASSEMBLY</b>	C
1 to 9	Not Used			
10	7023279	1	Cylinder Block Assembly	
11	Not Serviced	1	Block, Cylinder	
12	7023276	1	Piston	
13 to 14	Not Used			
15	7023278	1	Guide & Keeper Kit	
16 to 24	Not Used			
25	7023280	1	Cam Assembly	
26	Not Serviced	1	Cam	
27	7027888	2	O-Ring	
28 to 39	Not Used			
40	7023281	1	Valving Cover Assembly	
41	Not Serviced	1	Cover, Valving	
42	7023282	6	Bolt	
43 to 44	Not Used			
45	Use Item 152	1	O-Ring	
46	Not Used			
47	7023283	1	Distributor	
48	Use Item 152	1	Seal Kit	
49	Not Used			
50	7023284	1	Plug	
51	Not Used			
52	7018411	4	Spring	
53 to 58	Not Used			
59	7023286	1	Pin, Split	
60 to 69	Not Used			
70	7023287	1	Support Assembly	
71	Not Serviced	1	Support, Bearing	
72	Use Item 152	1	Seal	
73	7023288	1	Bearing	
74	7023289	1	Bearing	
75	7023302	1	Shim Set	
76	7023290	1	Ring	
77	7023291	1	Ring, Snap	
78	Use Item 152	1	Seal	
79 to 89	Not Used			
90	7023292	1	Shaft	
91	7023303	1	Stud Set	
92	7018436	1	Lugnut Set (Not Shown)	
93 to 99	Not Used			
100	7023293	1	Disc Brake Assembly	
101	Not Serviced	1	Body, Brake	
102	7023294	8	Bolt	
103 to 105	Not Used			
106	Use Item 152	1	O-Ring	
107	7023295	1	Piston, Brake	
108	7023296	1	Washer, Spring	

## SECTION 1 FRAME

**FIGURE 1-3. MOTOR/BRAKE/HUB ASSEMBLY (REAR) (S/N 78291 TO S/N 104784 ONLY)**

ITEM #	PART NUMBER	QTY.	DESCRIPTION	REV.
109	7023297	1	Ring, Snap	
110	7023298	1	Shaft	
111	Use Item 152	1	Seal	
112	7018408	1	Bolt	
113	Use Item 152	1	Gasket	
114 to 115	Not Used			
116	7023305	1	Shim	
117 to 134	Not Used			
135	7023304	1	Brake Disc Kit (Includes Shim Kit)	
	7026191	1	Brake Shim Kit	
136 to 140	Not Used			
141	Use Item 152	1	Protector	
142	Use Item 152	1	Plug, Dust	
143	Use Item 152	1	O-Ring	
144 to 151	Not Used			
152	7023301	1	Seal Kit - (Includes Items - 27,45,48,72,78,106,111,113,141, 142 & 143)	

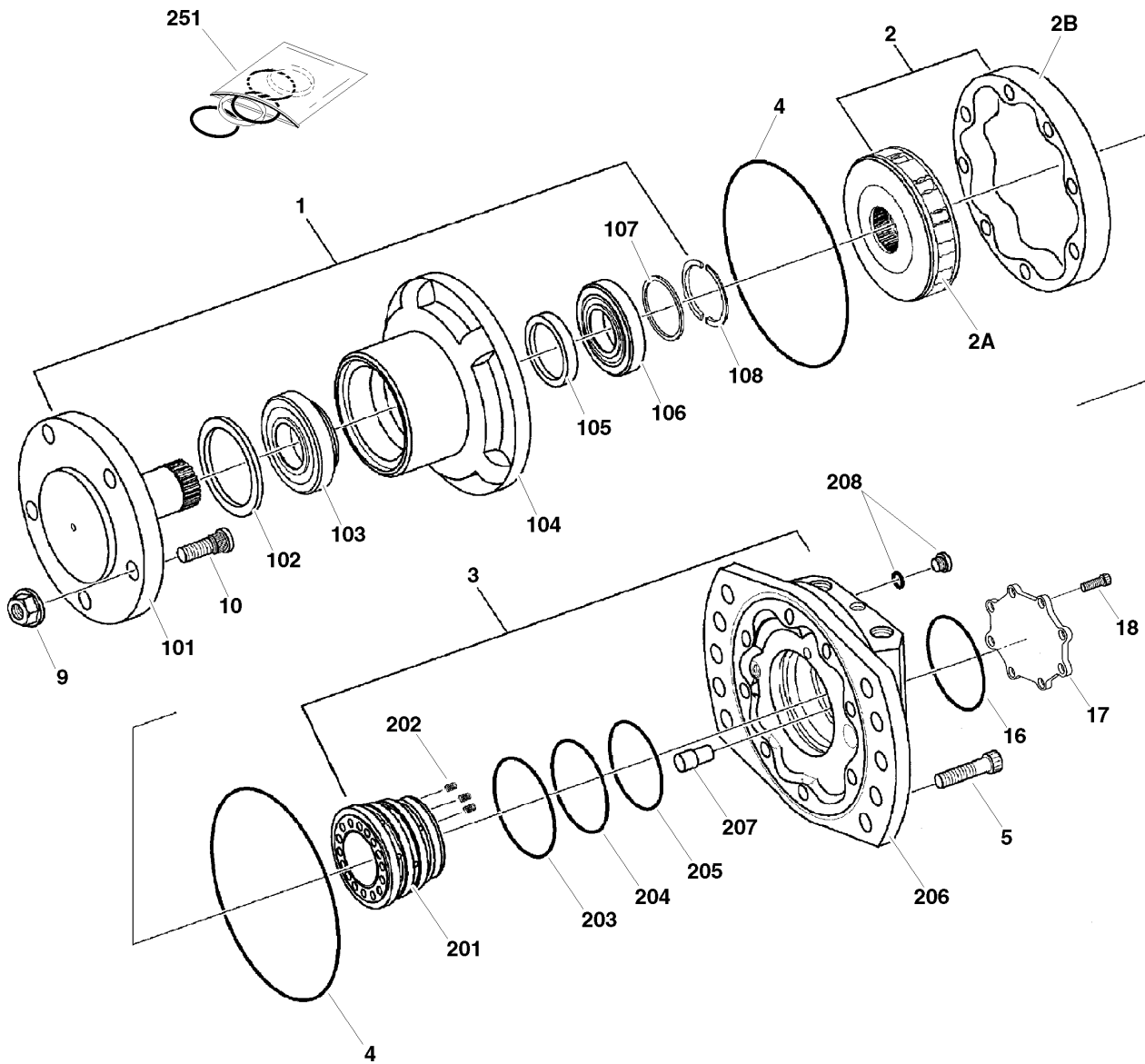
# SECTION 1 FRAME

**FIGURE 1-3. MOTOR/BRAKE/HUB ASSEMBLY (REAR) (S/N 78291 TO S/N 104784 ONLY)**

ITEM #	PART NUMBER	QTY.	DESCRIPTION	REV.

# SECTION 1 FRAME

FIGURE 1-4. MOTOR/BRAKE/HUB ASSEMBLY (FRONT) (PRIOR TO S/N 78291 & S/N 112814 TO PRESENT)



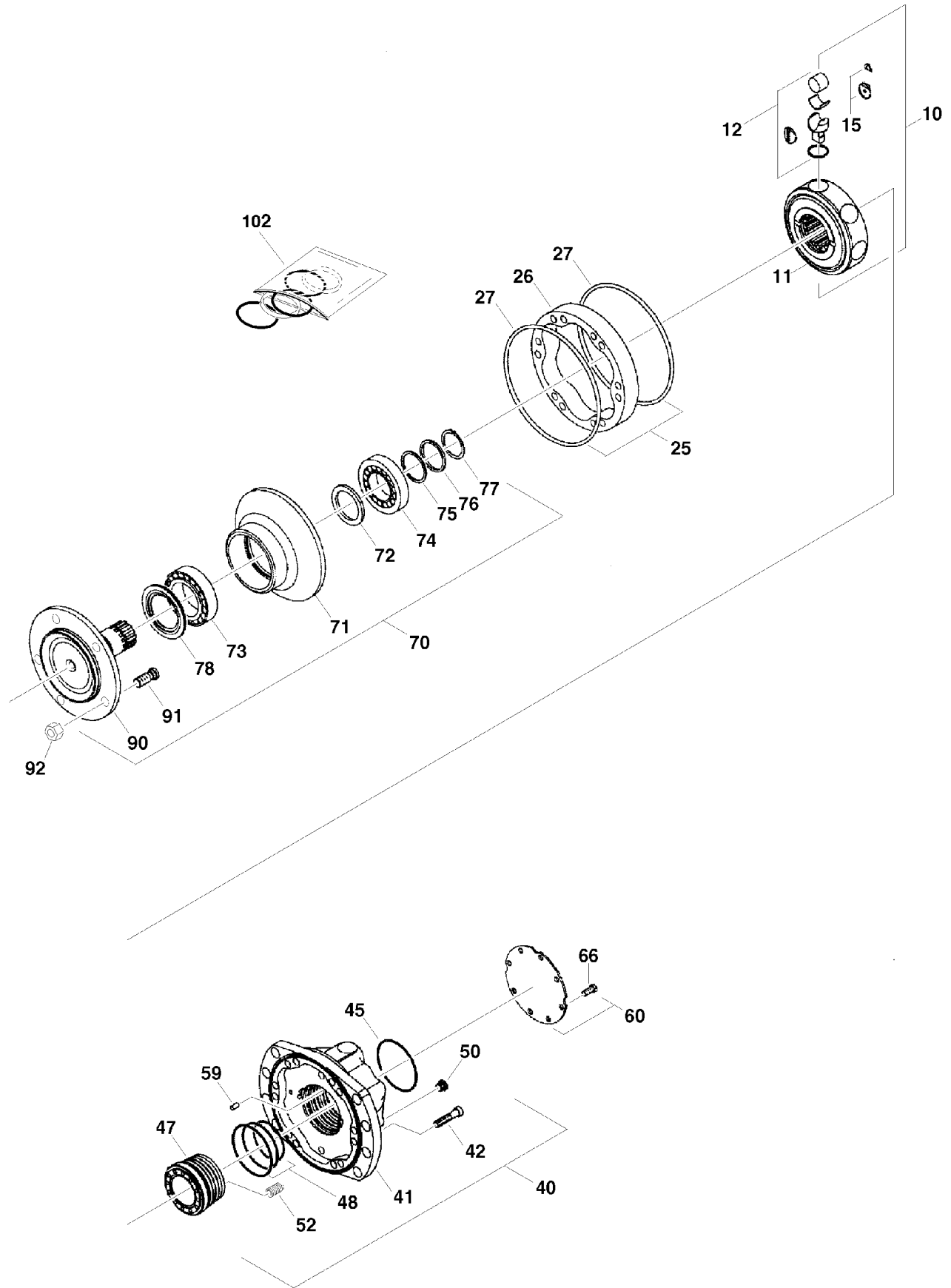
## SECTION 1 FRAME

**FIGURE 1-4. MOTOR/BRAKE/HUB ASSEMBLY (FRONT) (PRIOR TO S/N 78291 & S/N 112814 TO PRESENT)**

ITEM #	PART NUMBER	QTY.	DESCRIPTION	REV.
	3160245	Ref.	<b>DRIVE MOTOR ASSEMBLY</b>	D
1	Not Available	1	Front Housing Assembly (See 101 to 108 for Breakdown)	
2	Not Available	1	Rotary Assembly	
2A	Not Available	1	Rotary without Cam	
2B	Not Available	1	Cam	
3	Not Available	1	Rear Housing Assembly (See 201 to 208 for Breakdown)	
4	Use Item 251	2	Seal, Square	
5	Not Available	6	Screw, Cap	
6 to 8	Not Used			
9	7023806	5	Lugnut	
10	7023807	5	Stud, Wheel	
11 to 15	Not Used			
16	7024008	1	Seal, Square	
17	7024007	1	Plate, Rear Cover	
18	Not Available	8	Screw, Cap	
		Ref.	<b>FRONT HOUSING ASSEMBLY</b>	
101	7022586	1	Shaft	
102	Use Item 251	1	Seal, Face	
103	7022587	1	Bearing, Front	
104	Not Available	1	Casting, Front	
105	Use Item 251	1	Seal, Shaft	
106	7022588	1	Bearing, Rear	
107	Not Available	1	Washer	
108	Not Available	1	Ring, Split	
		Ref.	<b>REAR HOUSING ASSEMBLY</b>	
201	Not Available	1	Ring, Distributor	
202	Not Available	9	Spring	
203	Use Item 251	1	Seal, Nylon	
204	Use Item 251	1	Seal, Nylon	
205	Use Item 251	1	Seal, Nylon	
206	Not Available	1	Housing, Rear	
207	7022590	1	Pin, Stop	
208	7022591	1	Plug (O-Ring Supplied with Plug)	
209 to 250	Not Used			
251	7023801	1	Seal Kit (Includes Items - 4,102,105,203-205)	

# SECTION 1 FRAME

FIGURE 1-5. MOTOR/BRAKE/HUB ASSEMBLY (FRONT) (S/N 78291 TO S/N 112814 ONLY)



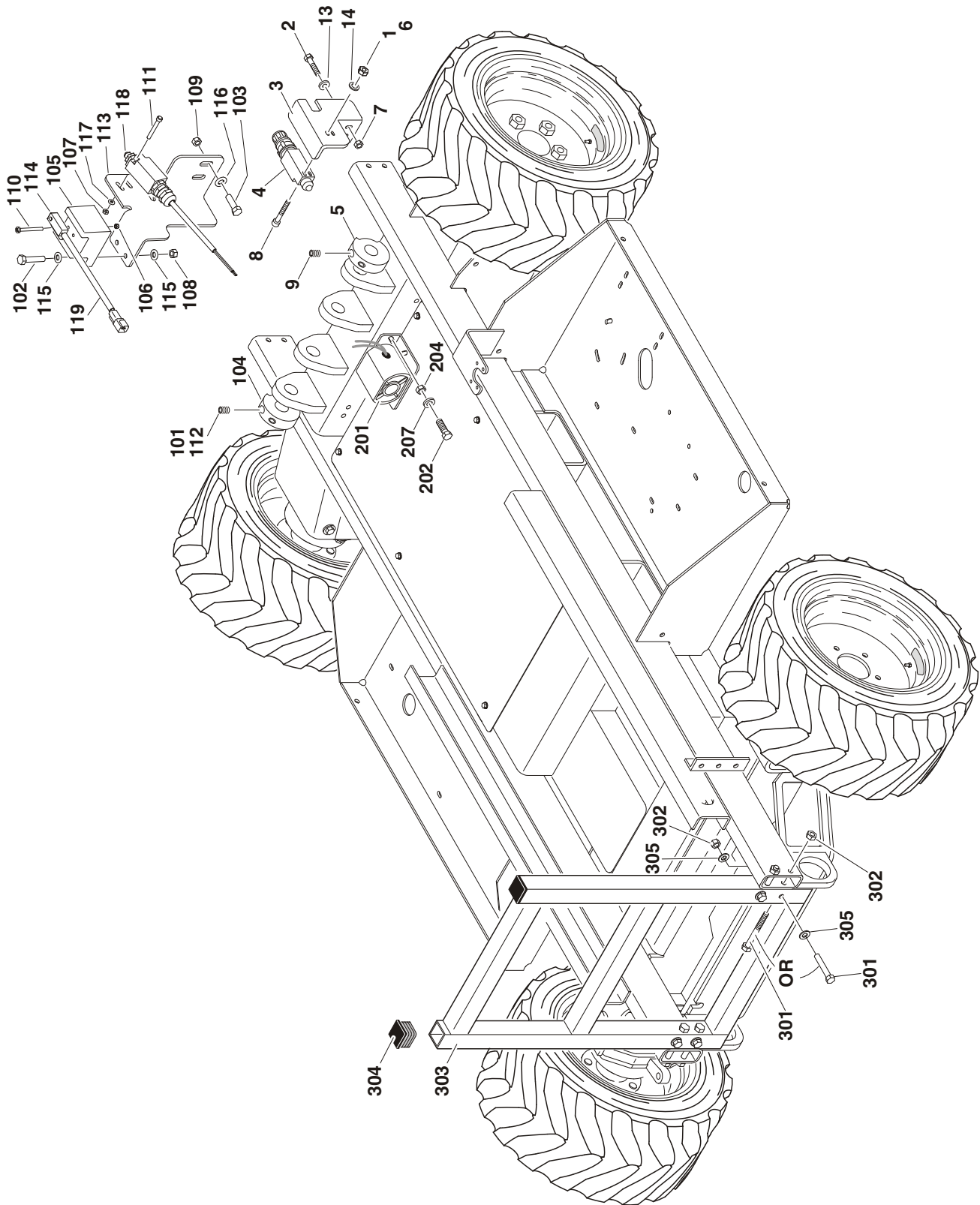
## SECTION 1 FRAME

**FIGURE 1-5. MOTOR/BRAKE/HUB ASSEMBLY (FRONT) (S/N 78291 TO S/N 112814 ONLY)**

ITEM #	PART NUMBER	QTY.	DESCRIPTION	REV.
	3160255	Ref.	<b>DRIVE MOTOR ASSEMBLY</b>	B
1 to 9	Not Used			
10	7023279	1	Cylinder Block Assembly	
11	Not Serviced	1	Block, Cylinder	
12	7023276	1	Piston	
13 to 14	Not Used			
15	7023278	1	Guide & Keeper Kit	
16 to 24	Not Used			
25	7023280	1	Cam Assembly	
26	Not Serviced	1	Cam	
27	7027888	2	O-Ring	
28 to 39	Not Used			
40	7023281	1	Valving Cover Assembly	
41	Not Serviced	1	Cover, Valving	
42	7023282	6	Bolt	
43 to 44	Not Used			
45	Use Item 102	1	O-Ring	
46	Not Used			
47	7023283	1	Distributor	
48	Use Item 102	1	Seal Kit	
49	Not Used			
50	7023284	1	Plug	
51	Not Used			
52	7018411	4	Spring	
53 to 58	Not Used			
59	7023286	1	Pin, Split	
60	7023285	1	Back Plate Assembly	
61 to 65	Not Used			
66	7018435	8	Bolt	
67 to 69	Not Used			
70	7023287	1	Support Assembly	
71	Not Serviced	1	Support, Bearing	
72	Use Item 102	1	Seal	
73	7023288	1	Bearing	
74	7023289	1	Bearing	
75	7023302	1	Shim Set	
76	7023290	1	Ring	
77	7023291	1	Ring, Snap	
78	Use Item 102	1	Seal	
79 to 89	Not Used			
90	7023292	1	Shaft	
91	7023303	1	Stud Set	
92	7018436	1	Lugnut Set	
93 to 101	Not Used			
102	7023301	1	Seal Kit - (Includes Items - 27,45,48,72 & 78)	

# SECTION 1 FRAME

## FIGURE 1-6. FRAME MOUNTED COMPONENTS INSTALLATION





## SECTION 1 FRAME

**FIGURE 1-6. FRAME MOUNTED COMPONENTS INSTALLATION**

ITEM #	PART NUMBER	QTY.	DESCRIPTION	REV.
	0259805	Ref.	<b>ELEVATION SWITCH INSTALLATION</b>	E
1	0100011	A/R	Loctite #242	
2	0641610	2	Bolt 3/8"-16NC x 1 1/4"	
3	0902609	1	Bracket, Limit Switch Mounting	
4	4922630	1	Harness, Elevation (See Section 7 for Breakdown)	
5	1100110	1	Cam, High Drive Limit Switch	
6	3310801	2	Nut #8-32NC	
7	3311605	2	Locknut 3/8"-16NC	
8	3930820	2	Screw, Machine #8-32NC x 1 1/4"	
9	3951603	2	Setscrew 3/8" x 3/8"	
10 to 12	Not Used			
13	4711600	2	Flatwasher 3/8" (Narrow)	
14	4750800	2	Flatwasher #8 (Wide)	
	0274337	Ref.	<b>ELEVATION SWITCH INSTALLATION (AUTO LEVEL LEVELING JACKS)</b>	A
101	0100011	A/R	Loctite #242	
102	0641512	2	Bolt 5/16"-18NC x 1 1/2"	
103	0641610	2	Bolt 3/8"-16NC x 1 1/4"	
104	1100110	1	Cam, High Drive Limit Switch	
105	3200453	1	Mount, Proximity Switch	
106	3300474	2	Locknut	
107	3310801	2	Nut #8-32NC	
108	3311505	2	Locknut 5/16"-18NC	
109	3311605	2	Locknut 3/8"-16NC	
110	3930334	2	Screw, Panhead	
111	3930820	2	Screw, Machine #8-32NC x 1 1/4"	
112	3951603	2	Setscrew 3/8" x 3/8"	
113	4341007	1	Mounting, Elevation Switch	
114	4360502	1	Switch, Proximity Sensor	
115	4711500	4	Flatwasher 5/16" (Narrow)	
116	4711600	2	Flatwasher 3/8" (Narrow)	
117	4750800	2	Flatwasher #8 (Wide)	
118	4922630	1	Cable, 18/2 & Limit Switch	
	1060680	9ft/2.7m	Cable, 18/2	
	4360548	1	Switch, Limit	
	4460968	1	Connector, Strain Relief	
	4460465	2	Socket, Female	
119	4923137	1	Harness, Proximity Switch (See Section 7 for Breakdown)	

# SECTION 1 FRAME

**FIGURE 1-6. FRAME MOUNTED COMPONENTS INSTALLATION (CONTINUED)**

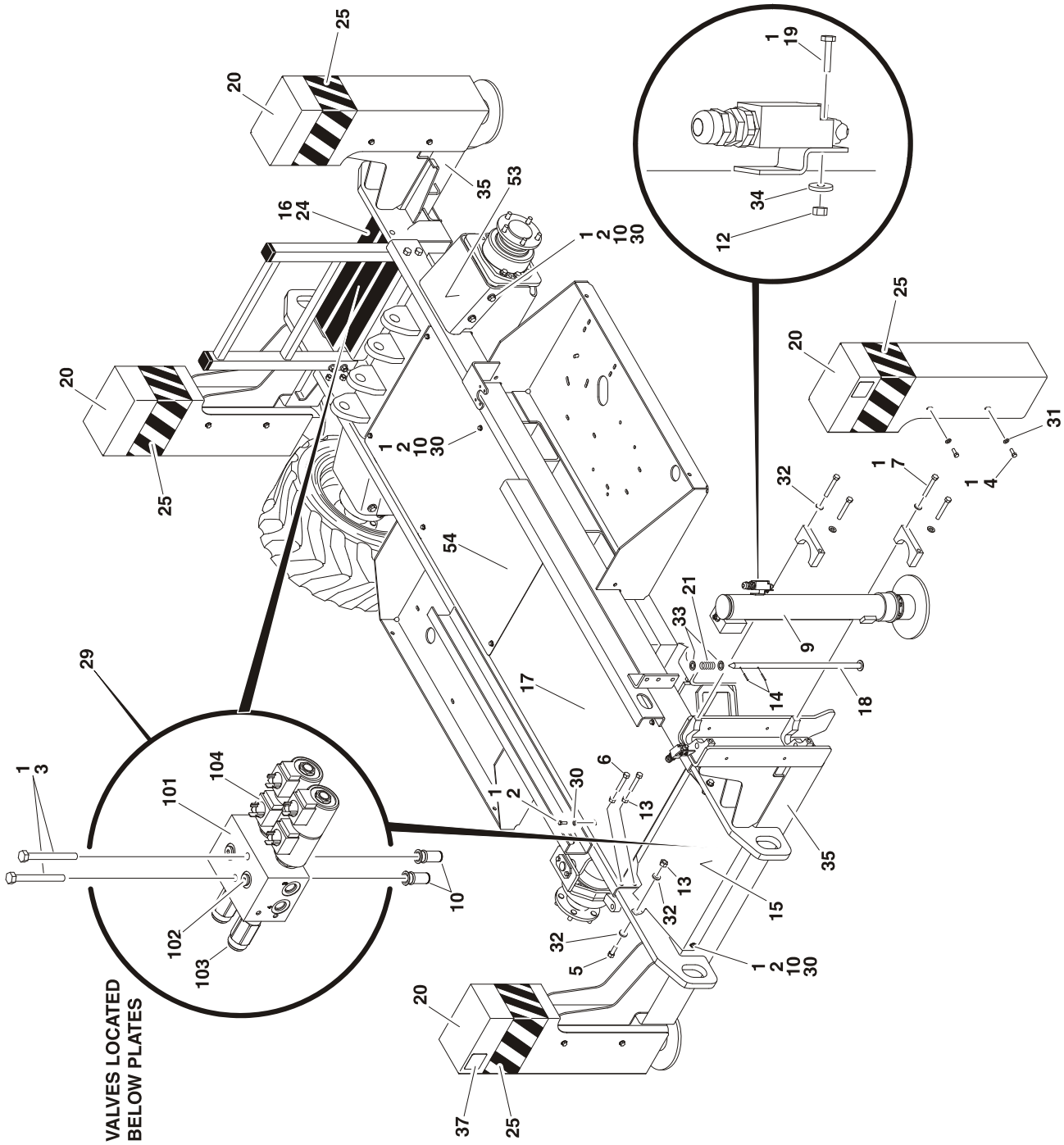
ITEM #	PART NUMBER	QTY.	DESCRIPTION	REV.
		Ref.	<b>ALARM INSTALLATIONS</b>	
	0259816	Ref.	<b>Descent Alarm Installation</b>	C
	0259817	Ref.	<b>Motion Alarm Installation</b>	C
	0273136	Ref.	<b>Alarm Installation (S/N 112688 to Present)</b>	A
201		1	Alarm Options: Prior to S/N 112688 S/N112688 to Present	
	0140032			
	0140044			
202	0641508	2	Bolt 5/16"-18NC x 1" (Prior to S/N 112688)	
	0641408	2	Bolt 1/4"-20NC x 1" (S/N 112688 to Present)	
203	Not Used			
204	3311505	2	Locknut 5/16"-18NC (Prior to S/N 112688)	
	3311405	2	Locknut 1/4"-20NC (S/N 112688 to Present)	
205 to 206	Not Used			
207	4711500	4	Flatwasher 5/16" Narrow (Prior to S/N 112688)	
	4751400	4	Flatwasher 1/4" (S/N 112688 to Present)	
	0259654	Ref.	<b>LADDER INSTALLATION</b>	D
301		4	Bolt Options: Bolt 1/2"-13NC x 4 3/4" (Prior to S/N 0200192485) Bolt 1/2"-13NC x 3" (S/N 0200192485 to Present)	
	0641838			
	0641824			
302	3311805	4	Locknut 1/2"-13NC	
303	4846116	1	Weldment, Ladder	
304		2	Plug, Cap Options: Prior to S/N 0200192485 S/N 0200192485 to Present	
	3520071			
	1001109533			
305	4711800	4	Flatwasher 1/2" Narrow (S/N 0200076557 to Present)	

**FIGURE 1-6. FRAME MOUNTED COMPONENTS INSTALLATION (CONTINUED)**

ITEM #	PART NUMBER	QTY.	DESCRIPTION	REV.

# SECTION 1 FRAME

FIGURE 1-7. LEVELING JACKS INSTALLATION (PRIOR TO S/N 141689)



# SECTION 1 FRAME

**FIGURE 1-7. LEVELING JACKS INSTALLATION (PRIOR TO S/N 141689)**

ITEM #	PART NUMBER	QTY.	DESCRIPTION	REV.
	0259757	Ref.	<b>LEVELING JACKS INSTALLATION</b>	I
1	0100011	A/R	Loctite #242	
2	0641508	20	Bolt 5/16"-18NC x 1"	
3	0641528	4	Bolt 5/16"-18NC x 3 1/2"	
4	0641608	16	Bolt 3/8"-16NC x 1"	
5	0641816	2	Bolt 1/2"-13NC x 2"	
6	0641820	8	Bolt 1/2"-13NC x 2 1/2"	
7	0641828	16	Bolt 1/2"-13NC x 3 1/2"	
8	Not Used			
9		1	Jack Cylinder Assembly Options: (See Section 5 for Breakdown)	
	1683966		Prior to S/N 105371	
	1684217		S/N 105371 to S/N 141689	
10	2080053	16	Fastener 5/16"-18NC	
11	Not Used			
12	3310801	16	Nut #8-32NC	
13	3311805	10	Locknut 1/2"-13NC	
14	3440420	8	Pin, Roll 1/8" x 1 1/4"	
15	3572384	1	Plate, Front Cover	
16	3572385	1	Plate, Rear Cover	
17	3572388	1	Plate, Top Cover	
18	3841326	4	Rod	
19	3930820	16	Bolt #8-32NC x 1 1/4"	
20	4061003	4	Cover	
21	4160116	4	Spring	
22	Not Used			
23	4420037	24in/61cm	Tape, Insulation (Not Shown)	
24	4420039	6ft/1.8m	Tape, Non-Skid	
25	4420052	10ft/3m	Tape, Safety	
26 to 28	Not Used			
29	4641150	2	Leveling Jack Control Valve Assembly (See 101 to 104 for Breakdown)	
30	4711500	20	Flatwasher 5/16" (Narrow)	
31	4711600	16	Flatwasher 3/8" (Narrow)	
32	4711800	20	Flatwasher 1/2" (Narrow)	
33	4740415	4	Washer, Special	
34	4750800	16	Flatwasher #8 (Wide)	
35	4846146	2	Weldment, Leveling Jack	
36	0270543	1	Indicator, Level (Not Shown - Located at Platform)	
37	1704786	4	Decal - Max Load	
38	4922454	2	Harness - Leveling Jack (N.O.) (Not Shown - See Section 7 for Breakdown)	
39	4922455	2	Harness - Leveling Jack (N.C.) (Not Shown - See Section 7 for Breakdown)	
40	4922456	1	Harness - Leveling Jack (Not Shown - See Section 7 for Breakdown)	
41 to 52	Not Used			
53	3572324	2	Cover, Rear Axle (S/N 128810 to S/N 141689)	
54	3572326	1	Cover, Center Frame (S/N 128810 to S/N 141689)	

# SECTION 1 FRAME

**FIGURE 1-7. LEVELING JACKS INSTALLATION (PRIOR TO S/N 141689) (CONTINUED)**

ITEM #	PART NUMBER	QTY.	DESCRIPTION	REV.
	2902206	2	Kit - Leveling Jack Sub Assembly (Includes Items - 1,3,4,7,9,10,14 thru 21,24,29,31 thru 35,38,39 and Hydraulic Fittings & Hoses)	
	4641150	Ref.	<b>LEVELING JACK CONTROL VALVE ASSEMBLY</b>	B
101	0561407	1	Valve, Jack Control	
102	2220883	2	Plug	
	7024822	2	Orifice	
103	4641151	2	Cartridge, Relief Valve	
	7021653		Seal Kit - 4641151 Valve (1 Per Cartridge)	
104	4641152	2	Valve, 4-Way	
	7017454		Cartridge without Coil	
	7012903	2	Seal Kit - 4641152 Valve (1 Per Cartridge)	
	7012943	4	Coil (2 Per Cartridge)	

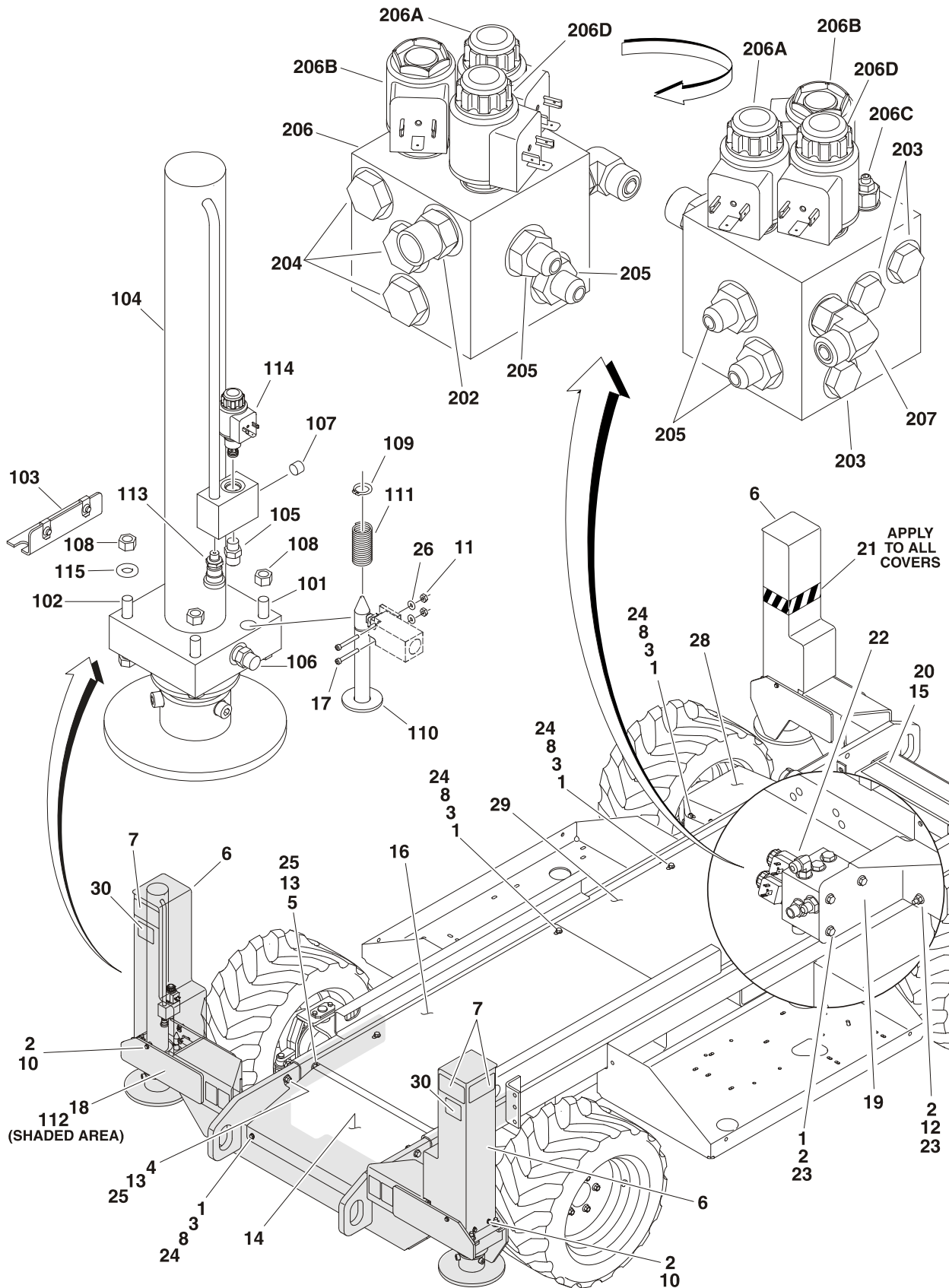
**SECTION 1 FRAME**

**FIGURE 1-7. LEVELING JACKS INSTALLATION (PRIOR TO S/N 141689) (CONTINUED)**

ITEM #	PART NUMBER	QTY.	DESCRIPTION	REV.

# SECTION 1 FRAME

**FIGURE 1-8. LEVELING JACKS AUTO LEVEL INSTALLATION (AUSTRALIAN SPEC S/N 128985 TO PRESENT & CE SPEC 141689 TO PRESENT)**





## SECTION 1 FRAME

**FIGURE 1-8. LEVELING JACKS AUTO LEVEL INSTALLATION (AUSTRALIAN SPEC S/N 128985 TO PRESENT & CE SPEC 141689 TO PRESENT)**

ITEM #	PART NUMBER	QTY.	DESCRIPTION	REV.
	0273848	Ref.	<b>LEVELING JACKS AUTO LEVELING INSTALLATION</b>	G
1	0100011	A/R	Loctite #242	
2	0641407	A/R	Bolt 1/4"-20NC x 7/8"	
3	0641508	20	Bolt 5/16"-18NC x 1"	
4	0641816	2	Bolt 1/2"-13NC x 2"	
5	0641824	8	Bolt 1/2"-13NC x 3"	
6	1671195	4	Cover	
7	1701214	8	Decal - Legend	
8	2080053	20	Fastener 5/16"-18NC	
9	Not Used			
10	3300454	16	Nut 1/4"-20NC	
11	3310805	8	Locknut #8-32NC	
12		3	Locknut Options: Prior to S/N 0200155061 S/N 0200155061 to Present	
13	3311405			
	3311605			
14	3311805	10	Locknut 1/2"-13NC	
15	3572384	1	Plate, Front Cover	
16	3572385	1	Plate, Rear Cover	
17	3572388	1	Plate, Top Cover	
18	3930820	8	Bolt #8-32NC x 1 1/4"	
19	4210017	2	Leveling Jack Assembly (See 101 to 115 for Breakdown)	
20	4340886	1	Mount, Valve	
21	4420039	6ft/1.8m	Tape, Non-Skid	
		8ft/2.4m	Tape, Safety Options: Prior to S/N 0200149768 (Was p/n 4420051) S/N 0200149768 to Present	
	Use 4420052			
	4420052			
22	4641374	1	Leveling Jack Control Valve Assembly (See 201 to 207 for Breakdown)	
23	4711400	A/R	Flatwasher 1/4" (Narrow)	
24	4711500	20	Flatwasher 5/16" (Narrow)	
25	4711800	20	Flatwasher 1/2" (Narrow)	
26	4750800	8	Flatwasher #8 (Wide)	
27	4922748	1	Harness - Leveling Jack (Not Shown - See Section 7 for Breakdown)	
28	3572324	2	Cover, Rear Axle	
29	3572326	1	Cover, Center Frame	
30	1704786	4	Decal - Max Load	
31	0641608	3	Bolt 3/8"-16NC x 1" (S/N 0200155061 to Present)	
32	4751600	6	Flatwasher 3/8" (Wide - S/N 0200155061 to Present)	
	4210017	Ref.	<b>LEVELING JACK ASSEMBLY</b>	A
101	0641824	4	Bolt 1/2"-13NC x 3"	
102	0641828	4	Bolt 1/2"-13NC x 3 1/2"	
103	0903165	2	Bracket, Jack Cover	
104	1684220	2	Cylinder, Jack (See Section 5 for Breakdown)	
105	2110606	2	Fitting	

# SECTION 1 FRAME

**FIGURE 1-8. LEVELING JACKS AUTO LEVEL INSTALLATION (AUSTRALIAN SPEC S/N 128985 TO PRESENT & CE SPEC 141689 TO PRESENT) (CONTINUED)**

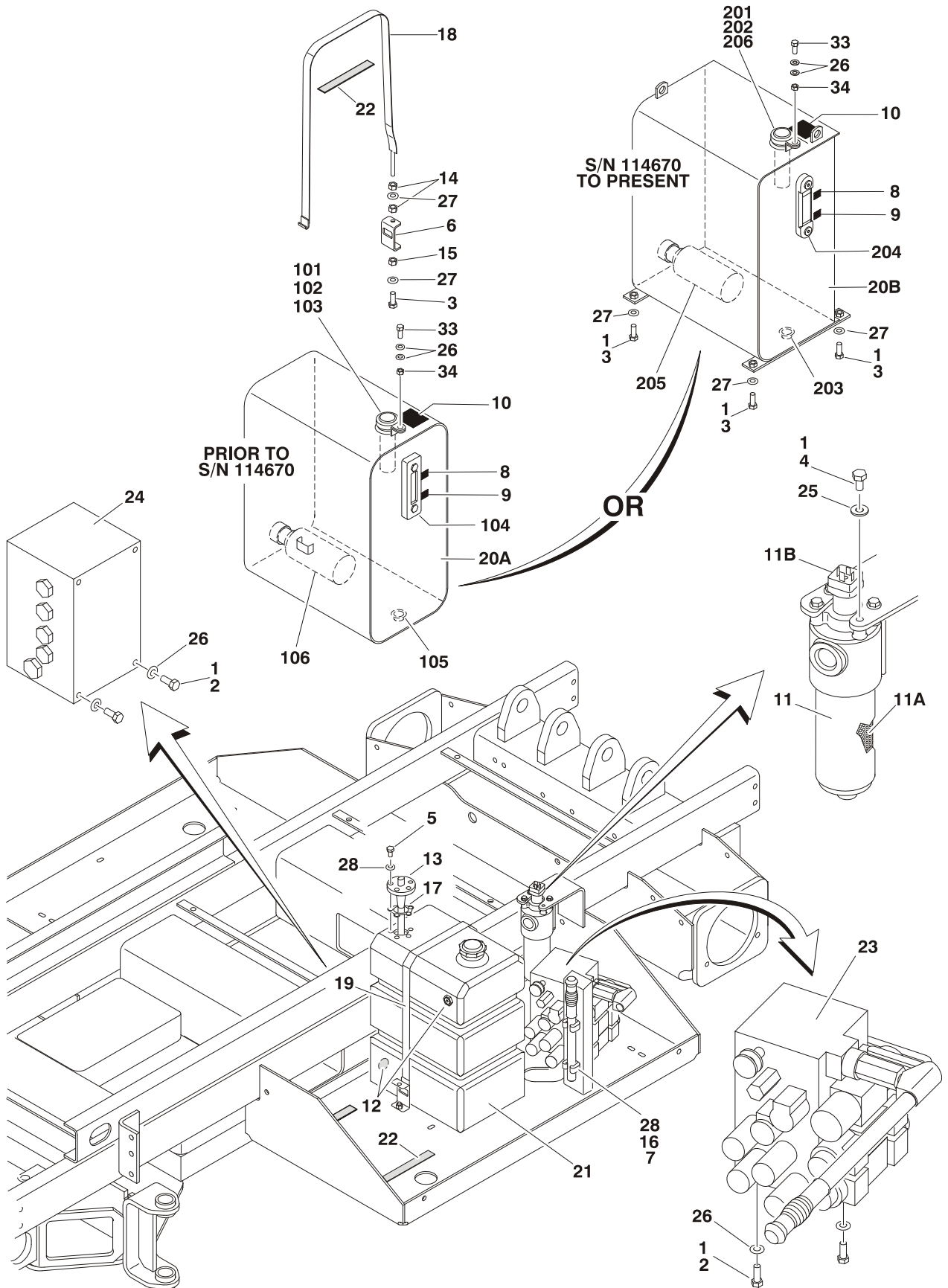
ITEM #	PART NUMBER	QTY.	DESCRIPTION	REV.
106	2110808	2	Fitting	
107	2220883	2	Fitting, Plug	
108	3311805	8	Locknut 1/2"-13NC	
109	3760348	2	Ring, Retaining	
110	3841564	2	Rod	
111	4160116	2	Spring	
112	4340885	1	Weldment, Leveling Jack	
113	4360518	2	Switch, Pressure Transducer	
114	4641238	2	Valve, Solenoid Directional	
	7024497	1	Cartridge (1 Per Cartridge)	
	7024501	1	Coil (1 Per Cartridge)	
	7024502	1	Seal Kit - 4641238 Valve (1 Per Cartridge)	
	7024506	1	Coil Nut, Kit - 4641238 Valve (1 Per Cartridge)	
115	4711800	4	Flatwasher 1/2" (Narrow)	
	4641374	Ref.	<b>LEVELING JACK CONTROL VALVE ASSEMBLY</b>	B
201	2110608	1	Fitting (Prior to S/N 0200155061)	
202	2110808	1	Fitting	
203	2220237	3	Fitting, Plug	
204	2220238	3	Fitting, Plug	
205	2220372	A/R	Fitting	
206	4641240	1	Valve, Directional	
206A	7024497	1	Cartridge	
	7024501	1	Coil	
	7024506	1	Kit Nut	
	7024502	1	Seal Kit - 7024497 Cartridge	
206B	7024498	1	Cartridge	
	7024501	1	Coil	
	7024507	1	Kit Nut	
	7024503	1	Seal Kit - 7024498 Cartridge	
206C	7024499	1	Cartridge	
	7024504	1	Seal Kit - 7024499 Cartridge	
206D	7024500	1	Cartridge	
	7024501	1	Coil	
	7024506	1	Kit Nut	
	7024505	1	Seal Kit - 7024500 Cartridge	
207	2130606	1	Fitting, 90°	

# **SECTION 2**

# **GROUND CONTROLS**

# SECTION 2 GROUND CONTROLS

## FIGURE 2-1. CONTROL VALVES AND TANK INSTALLATION



## SECTION 2 GROUND CONTROLS

**FIGURE 2-1. CONTROL VALVES AND TANK INSTALLATION**

ITEM #	PART NUMBER	QTY.	DESCRIPTION	REV.
		Ref.	<b>VALVES &amp; TANKS INSTALLATION</b>	
	0259752	Ref.	<b>PRIOR TO S/N 141689</b>	J
	0274650	Ref.	<b>S/N 141689 TO PRESENT</b>	B
1	0100011	A/R	Loctite #242	
2	0641506	5	Bolt 5/16"-18NC x 3/4"	
3	0641608	6	Bolt 3/8"-16NC x 1"	
4	0651406	4	Bolt 1/4"-28NF x 3/4"	
5	3900128	5	Screw #10-32NC x 1"	
6	0902592	2	Bracket, Tank Tie-Down	
7	1380136	2	Clip, Gripper	
8	1701502	1	Decal - Hydraulic Oil Level (High)	
9	1701503	1	Decal - Hydraulic Oil Level (Low)	
10	1703812	1	Decal - Hydraulic Oil	
11		1	Filter Options:	
	2120146		Filter, Medium Pressure (Prior to S/N 141689)	
	2120209		Filter, Pressure (S/N 141689 to Present)	
11A		1	Element, Filter Options:	
	2120150		Element, Filter - p/n 2120146	
	2120210		Element, Filter - p/n 2120209	
11B		1	Indicator Options:	
	7016312		Indicator - p/n 2120146	
	7020020	1	Manual Indicator - p/n 2120209	
11C		1	O-Ring, Filter Bowl Options (Not Shown):	
	7023206		O-Ring, Filter Bowl - p/n 2120146	
	7023207		Back-up Ring, Filter Bowl - p/n 2120146	
	70000934		O-Ring, Filter Bowl - p/n 2120209	
12	2200233	2	Plug, Drain	
13	2420190	1	Gauge, Fuel Level	
14	3311601	2	Nut 3/8"-16NC	
15	3311605	2	Locknut 3/8"-16NC	
16	3820020	2	Rivet	
17	3960525	1	Gasket, Fuel Sensor	
18	4240140	1	Strap, Tank Mounting (Prior to S/N 114670 Only)	
19	4240141	1	Strap, Tank Mounting	
20		1	Tank, Hydraulic Oil Options:	
20A	4400425		Prior to S/N 114670 (See Items 101- 106)	
20B	4400458		S/N 114670 to Present (See Items 201- 206)	
21	4400428	1	Tank, Fuel	
	7020257	1	Cap	
	0259823	1	Cap, Protectoseal	
22	4420037	A/R	Tape, Insulation Options:	
		4ft./1.2m	Prior to S/N 114670	
		2ft./0.6m	S/N 114670 to Present	
23	4641109	1	Main Valve Assembly (See Figure 2-2 for Breakdown)	
24	4641121	1	Flow Divider Valve Assembly (4WD) (See Figure 2-3 for Breakdown)	
25	4711400	4	Flatwasher 1/4" (Narrow)	
26	4711500	7	Flatwasher 5/16" (Narrow)	

## SECTION 2 GROUND CONTROLS

**FIGURE 2-1. CONTROL VALVES AND TANK INSTALLATION (CONTINUED)**

ITEM #	PART NUMBER	QTY.	DESCRIPTION	REV.
27	4711600	7	Flatwasher 3/8" (Narrow)	
28	4751000	A/R	Flatwasher #10 (Wide)	
29	4060808	8ft/2.4m	Trim, Flexible (Not Shown)	
30	4100033	4ft/1.2m	Sleeve, Hose Protection (Not Shown) (Prior to S/N 0200191139)	
31	Not Used			
32	4060807	32in/81cm	Shield, Flex-Trim (Not Shown)	
33	0641508	1	Bolt 5/16"-18NC x 1"	
34	3311505	1	Locknut 5/16"-18NC	
35	4240018	A/R	Tie Strap (Not Shown) (S/N 0200191139 to Present)	
	4400425	Ref.	<b>HYDRAULIC OIL TANK ASSEMBLY (PRIOR TO S/N 114670)</b>	
101	7014811	1	Cap	
102	7014816	1	Screen	
103	7020256	1	Neck, Fill	
104	7014802	1	Gauge	
105	7023219	1	Plug, Magnetic	
106	7020253	1	Strainer	
	4400458	Ref.	<b>HYDRAULIC OIL TANK ASSEMBLY (S/N 114670 TO PRESENT)</b>	H
201	7024445	1	Screen	
202	7026575	1	Cap	
203	7024446	1	Plug, Magnetic	
204	7024441	1	Gauge	
205	7026121	1	Strainer	
206	7024443	1	Neck, Fill	

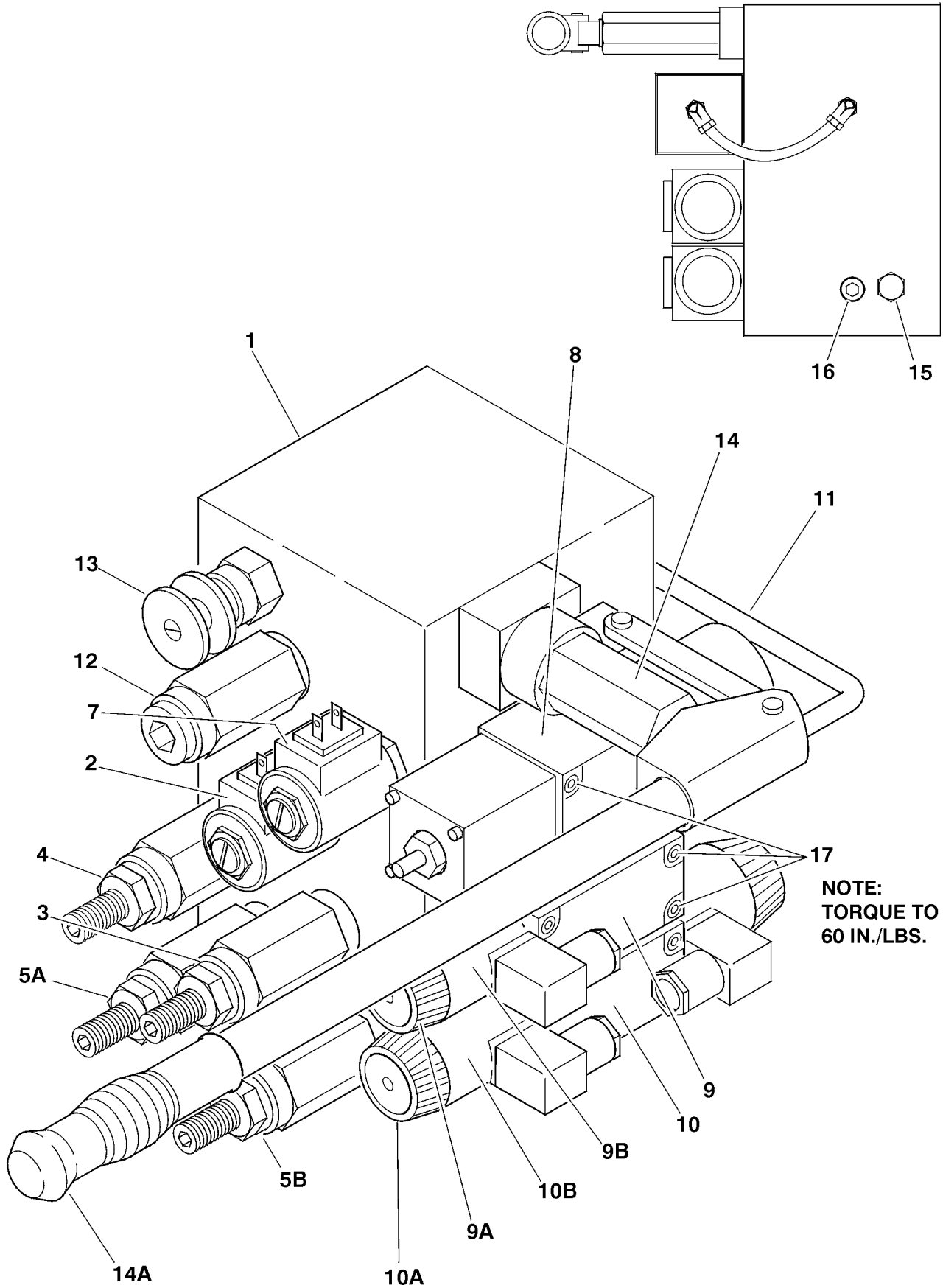
## SECTION 2 GROUND CONTROLS

**FIGURE 2-1. CONTROL VALVES AND TANK INSTALLATION (CONTINUED)**

ITEM #	PART NUMBER	QTY.	DESCRIPTION	REV.

# SECTION 2 GROUND CONTROLS

## FIGURE 2-2. MAIN VALVE ASSEMBLY





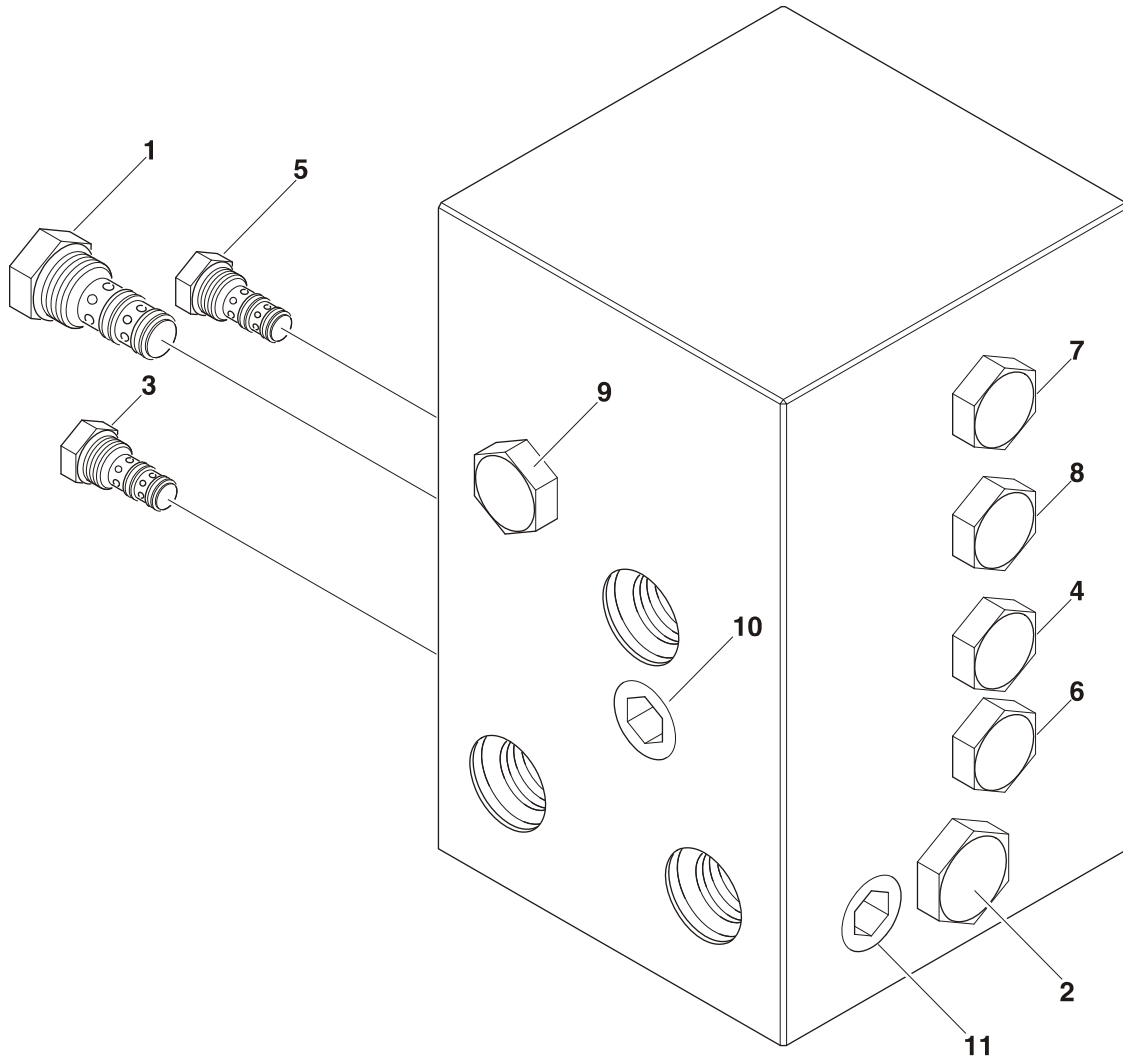
## SECTION 2 GROUND CONTROLS

**FIGURE 2-2. MAIN VALVE ASSEMBLY**

ITEM #	PART NUMBER	QTY.	DESCRIPTION	REV.
	4641109	Ref.	<b>MAIN CONTROL VALVE ASSEMBLY</b>	I
1	Not Serviced	1	Manifold	
2	7017410	1	Cartridge Less Coil (Dump)	
	7012967	1	Seal Kit - 7017410 Cartridge	
	7012944	1	Coil	
3	7023971	1	Cartridge, Relief (Main) (was p/n 7017418)	
	7012953	1	Seal Kit - 7023971 Cartridge	
4	7023972	1	Cartridge, Relief (Lift)	
	7012953	1	Seal Kit - 7023972 Cartridge	
5A	7023973	2	Cartridge, Relief (Steer)	
	7023975	2	Seal Kit - 7023973 Cartridge (1 Per Cartridge)	
5B	7023974	2	Cartridge, Relief (Steer)	
	7023975	2	Seal Kit - 7023974 Cartridge (1 Per Cartridge)	
6	7022527	1	Orifice 1/16"/2.0mm (Not Shown - Located on Back of Valve at Port L)	
7	7012941	1	Cartridge Less Coil (Brake Release)	
	7010543	1	Seal Kit - 7012941 Cartridge	
	7012944	1	Coil	
8	7024929	1	Valve Assembly	
	7022531	1	Seal Kit	
9	7022529	1	Valve Assembly (Lift)	
	7012773	1	Seal Kit	
9A	7021375	1	Nut	
9B	7021376	1	Coil	
10	7021365	1	Valve Assembly (Steer)	
	7012773	2	Seal Kit	
10A	7021375	2	Nut	
10B	7021376	2	Coil	
11	7018903	1	Tube Assembly	
	7018904	1	Fitting, Straight	
12	7023916	1	Cartridge, Check (was p/n 7021628)	
	7012998	1	Seal Kit - 7023916 Cartridge (was p/n 7012967)	
13	7021629	1	Cartridge, Needle Valve	
	7012953	1	Seal Kit - 7021629 Cartridge	
14	7023208	1	Valve Assembly (Brake Release)	
	7023209	1	Seal Kit - 7023208 Cartridge	
14A	7023210	1	Handle	
15	7023976	1	Cartridge	
	7012967	1	Seal Kit - 7023976 Cartridge	
16	7022523	1	Orifice	
17	7018942	12	Capscrew, Socket Head #10-24NC x 2"	

## SECTION 2 GROUND CONTROLS

FIGURE 2-3. FLOW DIVIDER ASSEMBLY



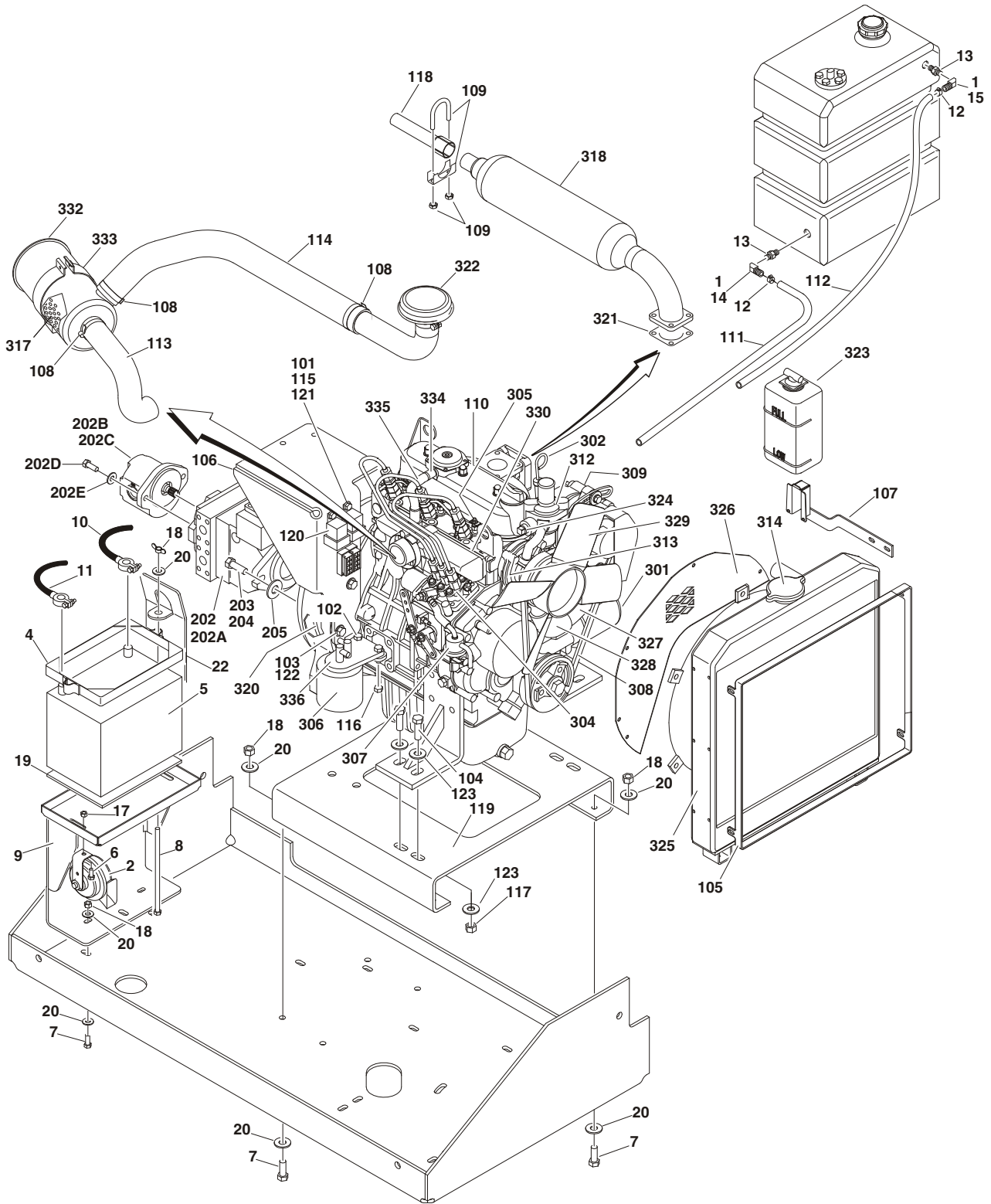
## SECTION 2 GROUND CONTROLS

**FIGURE 2-3. FLOW DIVIDER ASSEMBLY**

ITEM #	PART NUMBER	QTY.	DESCRIPTION	REV.
	4641121	Ref.	<b>FLOW DIVIDER VALVE ASSEMBLY</b>	B
1	7017425	1	Cartridge	
	7017405	1	Seal Kit - 7017425 Cartridge	
2	7024873	1	Cartridge	
	7012904	1	Seal Kit - 7024873 Cartridge	
3	7024873	1	Cartridge	
	7012904	1	Seal Kit - 7024873 Cartridge	
4	7012975	1	Cartridge	
	7012967	1	Seal Kit - 7012975 Cartridge	
5	7012975	1	Cartridge	
	7012967	1	Seal Kit - 7012975 Cartridge	
6	7012975	1	Cartridge	
	7012967	1	Seal Kit - 7012975 Cartridge	
7	7012975	1	Cartridge	
	7012967	1	Seal Kit - 7012975 Cartridge	
8	7012975	1	Cartridge	
	7012967	1	Seal Kit - 7012975 Cartridge	
9	7012975	1	Cartridge	
	7012967	1	Seal Kit - 7012975 Cartridge	
10	7022523	1	Orifice (1.0mm)	
11	7022524	2	Orifice (0.5mm)	

# SECTION 2 GROUND CONTROLS

## FIGURE 2-4. KUBOTA ENGINE INSTALLATION (DIESEL)



## SECTION 2 GROUND CONTROLS

**FIGURE 2-4. KUBOTA ENGINE INSTALLATION (DIESEL)**

ITEM #	PART NUMBER	QTY.	DESCRIPTION	REV.
		Ref.	<b>KUBOTA ENGINE INSTALLATION (DIESEL)</b>	
	0259778	Ref.	<b>Prior to S/N 0200185376</b>	J
	1001096741	Ref.	<b>S/N 0200185376 to Present</b>	A
1	0100020	A/R	Sealant, Loctite #567	
2	0140001	1	Horn (Prior to S/N 112688 Only)	
3		1	Diesel Powerplant Assembly Options (See Items 201 to 205 for Breakdown):	
	0270064		Prior to S/N 185376	
	1001096740		S/N 185376 to Present	
4	0400002	1	Hold Down, Battery	
	2910479	1	Clip Kit	
5	0400003	1	Battery, 12 Volt	
6	0641506	1	Bolt 5/16"-18NC x 3/4" (Prior to S/N 112688)	
7	0641608	8	Bolt 3/8"-16NC x 1"	
8	0641676	2	Bolt 3/8"-16NC x 9 1/2"	
9	0902597	1	Bracket, Battery Mount	
10	1060816	1	Cable, Battery (Negative)	
11	1060817	1	Cable, Battery (Positive)	
12	1320022	4	Clamp, Fuel Line	
13	2220250	2	Fitting, Reducer	
14		1	Fitting Options:	
	2220869		90° Fitting	
	2180467		Straight Fitting	
15	2221047	1	Fitting, 90°	
16	Not Used			
17	3311505	1	Locknut 5/16"-18NC (Prior to S/N 112688)	
18	3311605	10	Locknut 3/8"-16NC	
19	3980003	1	Seat, Battery (Prior to S/N 111498)	
20	4751600	16	Flatwasher 3/8" (Wide)	
21	0840025	1	Boot, Cable (Not Shown - Located at Starter)	
22	1670970	1	Cover, Battery	
		Ref.	<b>KUBOTA ENGINE ASSEMBLY (DIESEL)</b>	
	Use 1001096739	Ref.	<b>Prior to S/N 0200185376, (was P/N 0270039)</b>	E
	1001096739	Ref.	<b>S/N 0200185376 to Present</b>	B
101	0641406	2	Bolt 1/4"-20NC x 3/4"	
102	0641508	2	Bolt 5/16"-18NC x 1"	
103	0641608	2	Bolt 3/8"-16NC x 1"	
104	0641610	6	Bolt 3/8"-16NC x 1 1/4"	
105	0902624	1	Bracket, Radiator Seal	
106	0902647	1	Bracket, Mounting	
107	0902648	1	Mount, Reserve Tank	
108	1320016	4	Clamp	
109	1320274	1	Clamp, Muffler	

## SECTION 2 GROUND CONTROLS

**FIGURE 2-4. KUBOTA ENGINE INSTALLATION (DIESEL) (CONTINUED)**

ITEM #	PART NUMBER	QTY.	DESCRIPTION	REV.
110	2000168 1001096738	1	Kubota Engine Assembly (Diesel) Options: Prior to S/N 185376 (See Items 301-323 for Breakdown) S/N 185376 to Present (See Items 301-336 for Breakdown)	
111	2720058	5.5ft/1.7m	Hose, Fuel Line	
112	2720271	7.5ft/2.3m	Hose, 3/16" (Low Pressure)	
113	2720465	1	Hose, Air Intake	
114	2720466	1	Hose, Air Cleaner	
115	3311405	2	Locknut 1/4"-20NC	
116	3311505	2	Locknut 5/16"-18NC	
117	3311605	6	Locknut 3/8"-16NC	
118	3460320	1	Pipe, Exhaust	
119	3572430	1	Plate, Engine Mount	
120	3740049	2	Relay	
121	4711400	2	Flatwasher 1/4" (Narrow)	
122	4711600	2	Flatwasher 3/8" (Narrow)	
123	4751600	12	Flatwasher 3/8" (Wide)	
124	0840026	1	Boot, Terminal (Not Shown - Located at Alternator)	
		Ref.	<b>DIESEL POWERPLANT ASSEMBLY</b>	
	0270064	Ref.	<b>Prior to S/N 0200185376</b>	D
	1001096740	Ref.	<b>S/N 0200185376 to Present</b>	A
201	Not Used			
202		1	Pump Assembly Options:	
	3600307		Pump Assembly Prior to S/N 111922 (Includes Items 202A & 202B)	
	3600373		Pump Assembly S/N 111922 to S/N 117591 (Includes Items 202A & 202C)	
	3600415		Pump Assembly S/N 117591 to Present (Includes Items 202A & 202C)	
202A		1	Variable Displacement Pump Assembly Options:	
	3600300		Prior to S/N 117591 (See Figure 2-5 for Breakdown)	
	3600414		S/N 117591 to Present (See Figure 2-6 for Breakdown)	
202B	3600301	1	Gear Pump Assembly (See Figure 2-7 for Breakdown) (Prior to S/N 111922)	
202C	3600369	1	Gear Pump Assembly (See Figure 2-8 for Breakdown) (S/N 111922 to Present)	
202D	0641608	2	Bolt 3/8"-16NC x 1"	
202E	4711600	2	Flatwasher 3/8" (Narrow)	
203	0100011	A/R	Loctite #242	
204	0641812	2	Bolt 1/2"-13NC x 1 1/2"	
205	4711800	2	Flatwasher 1/2" (Narrow)	

## SECTION 2 GROUND CONTROLS

**FIGURE 2-4. KUBOTA ENGINE INSTALLATION (DIESEL) (CONTINUED)**

ITEM #	PART NUMBER	QTY.	DESCRIPTION	REV.
		Ref.	<b>ENGINE COMPONENTS</b>	
	Use 1001096738	Ref.	<b>Prior to S/N 0200185376, (was P/N 2000168)</b>	C
	1001096738	Ref.	<b>S/N 0200185376 to Present</b>	A
301	7017923	1	Filter, Oil	
302	7023160	1	Dipstick	
303	7023177	1	Solenoid, Stop - Engine 2000168 (Not Shown)	
304	7023164	1	Pump, Injection	
	70002319	A/R	Shim - 0.175mm	
	70002320	A/R	Shim - 0.200mm	
	70002321	A/R	Shim - 0.250mm	
	70002322	A/R	Shim - 0.300mm	
	70002323	A/R	Shim - 0.350mm	
305	7023137	3	Plug, Glow - Engine 2000168	
	70002324	3	Plug, Glow - Engine 1001096738	
306	7017950	1	Element, Fuel	
307	7026205	1	Pump, Fuel - Engine 2000168	
	70002325	1	Pump, Fuel - Engine 1001096738	
308	7023141	1	V-Belt	
309	7023169	1	Alternator w/Regulator - Engine 2000168	
	7017955	1	Alternator w/Regulator - Engine 1001096738	
310	7023144	1	Starter (Not Shown)	
311	7017901	1	Switch, Oil (Not Shown)	
312	7023170	1	Thermostat	
	70002326	1	Gasket, Thermostat	
313	7017924	1	Pump, Water - Engine 2000168	
	70002327	1	Pump, Water - Engine 1001096738	
	70002328	1	Gasket, Water Pump - Engine 1001096738	
314	7017967	1	Cap, Radiator - Engine 2000168	
	70002329	1	Cap, Radiator - Engine 1001096738	
315	7017968	1	Hose, Radiator - Engine 2000168 (Not Shown - Bottom)	
	70002273	1	Hose, Radiator - Engine 1001096738 (Not Shown - Bottom)	
316	7017969	1	Hose, Radiator - Engine 2000168 (Not Shown - Top)	
	70002272	1	Hose, Radiator - Engine 1001096738 (Not Shown - Top)	
317	7017938	1	Element, Breather	
318	7023172	1	Muffler	
319	7023173	1	Sensor, Speed (Not Shown)	
320	70001933	1	Coupling Kit, Pump (includes Coupling Bolts)	
	70002419		Housing, Cast	
	70001934	1	Flywheel Assembly	
	70001140	1	Gear, Ring	
	70001935	6	Bolt, Flywheel	
321	7023124	1	Gasket, Muffler	
322	7017942	1	Cap, Air Intake	
323	7023126	1	Tank, Reservoir - Engine 2000168	
	70002331	1	Tank, Reservoir - Engine 1001096738	
			<b>Note: Items 324 thru 336 for Engine 1001096738.</b>	
324	7026211	1	Sensor, Water Temperature	
325	70002274	1	Radiator Assembly	

## SECTION 2 GROUND CONTROLS

**FIGURE 2-4. KUBOTA ENGINE INSTALLATION (DIESEL) (CONTINUED)**

ITEM #	PART NUMBER	QTY.	DESCRIPTION	REV.
326	70002275	1	Cover, Fan	
327	7017963	1	Pipe, Water	
328	70002330	1	Pipe, Elbow	
329	70001865	1	Fan	
330	7023149	1	Gasket, Intake Manifold	
331	7023148	1	Gasket, Exhaust Manifold (Not Shown)	
332	7017937	1	Air Cleaner Assembly	
333	7026202	1	Band, Air Cleaner	
334	70002316	1	Pipe	
335	70002317	1	Tube, Breather	
336	7017949	1	Fuel Filter Assembly (Includes - cover, fittings, plug, o-ring & filter element)	
	7023199	1	Filter, Cover (Includes fittings)	
	7017992	1	Filter, Inline (Not Shown)	



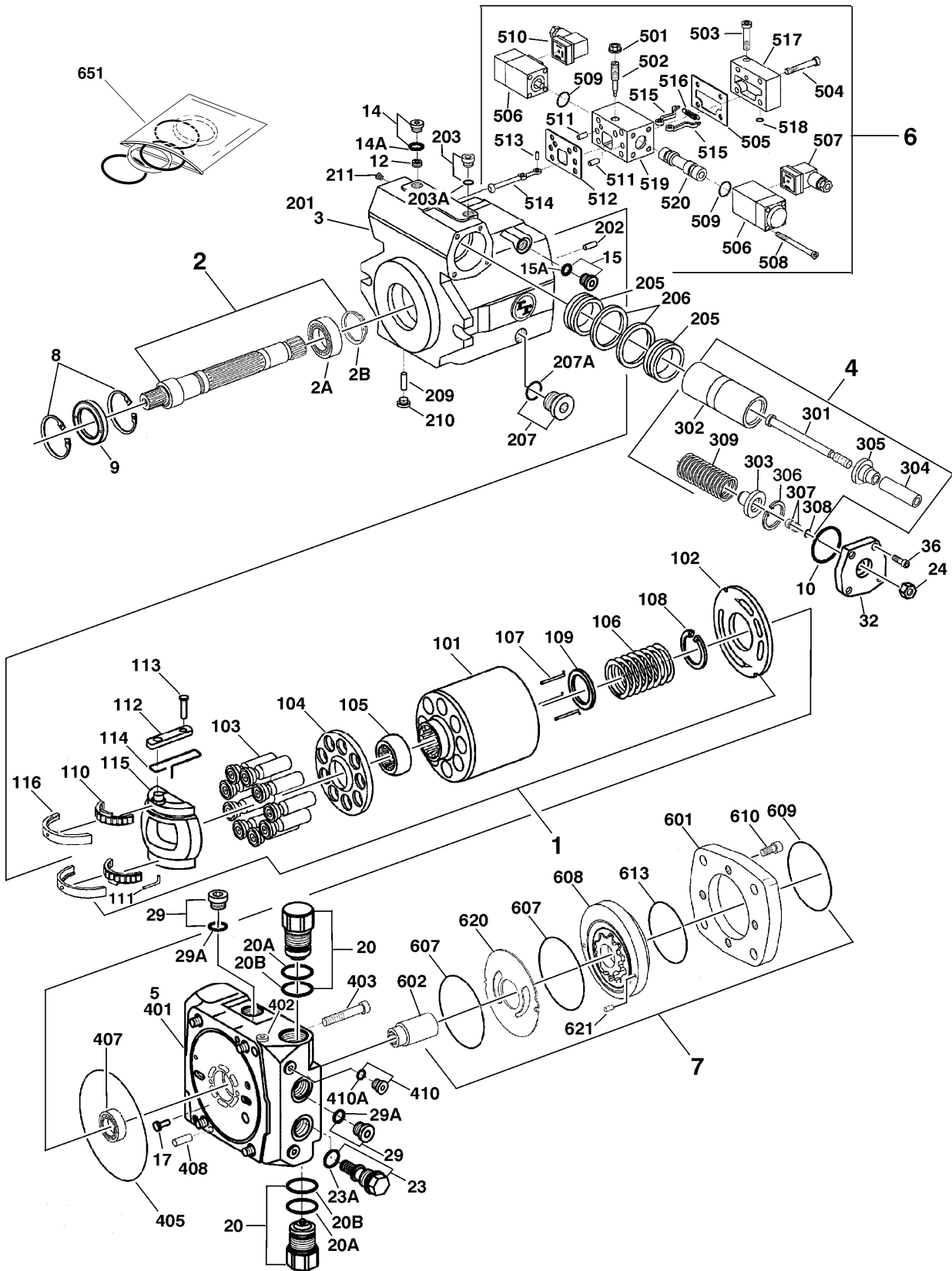
## SECTION 2 GROUND CONTROLS

**FIGURE 2-4. KUBOTA ENGINE INSTALLATION (DIESEL) (CONTINUED)**

ITEM #	PART NUMBER	QTY.	DESCRIPTION	REV.

# SECTION 2 GROUND CONTROLS

## FIGURE 2-5. VARIABLE DISPLACEMENT PUMP ASSEMBLY (PRIOR TO S/N 117591)



## SECTION 2 GROUND CONTROLS

**FIGURE 2-5. VARIABLE DISPLACEMENT PUMP ASSEMBLY (PRIOR TO S/N 117591)**

ITEM #	PART NUMBER	QTY.	DESCRIPTION	REV.
	3600300	Ref.	<b>PISTON PUMP ASSEMBLIES</b>	E
1	Not Available	1	Rotary Group Assembly (Includes Items 101-116)	
2	Not Available	1	Shaft Assembly	
	7023887	1	Shaft	
2A	7023888	1	Bearing, Roller	
2B	7023889	1	Ring, Retaining	
3	Not Available	1	Housing Assembly (Includes Items 201-211)	
4	Not Available	1	Stroking Piston Assembly (Includes Items 301-309)	
5	Not Available	1	Port Block Assembly (Includes Items 401-410)	
6	7023877	1	Control Valve Assembly (Includes Items 501-520)	
7	Not Available	1	Thru Drive Assembly (Includes Items 601-621)	
8	7023878	2	Ring, Retaining	
9	Use Item 651	1	Seal, Shaft	
10	Use Item 651	1	O-Ring	
11	Not Used			
12	Not Available	2	Orifice (1.0)	
13	Not Used			
14	Not Serviced	3	Plug, O-Ring	
14A	Use Item 651	3	O-Ring	
15	Not Serviced	3	Plug, O-Ring	
15A	Use Item 651	3	O-Ring	
16	Not Used	1		
17	7023879	1	Pin, Lens	
18	Not Used			
19	Not Used			
20	7022380	2	Relief Valve Assembly	
20A	Use Item 651	2	Ring, Back-Up	
20B	Use Item 651	2	O-Ring	
21	Not Used			
22	Not Used			
23	7023881	1	Charge Pressure Relief Valve Kit	
23A	Use Item 651	1	O-Ring	
24	Use Item 651	1	Nut, Jam	
25 to 28	Not Used			
29	Not Serviced	1	Plug, O-Ring	
29A	Use Item 651	2	O-Ring	
30 to 31	Not Used			
32	Not Available	1	Cover, Stroking Piston	
33 to 35	Not Used			
36	7023882	4	Capscrew M6 x 12	
		Ref.	<b>ROTARY GROUP ASSEMBLY</b>	
101	Not Available	1	Barrel	
102	Not Available	1	Plate, Lens	
103	Not Available	9	Piston	
104	Not Available	1	Plate, Retaining	
105	Not Available	1	Coupling, Ball	

## SECTION 2 GROUND CONTROLS

**FIGURE 2-5. VARIABLE DISPLACEMENT PUMP ASSEMBLY (PRIOR TO S/N 117591)**

ITEM #	PART NUMBER	QTY.	DESCRIPTION	REV.
106	7023883	1	Spring	
107	Not Available	3	Pin, Pressure	
108	7023884	1	Ring, Retaining	
109	Not Available	1	Disk	
110	7023885	1	Cradle Bearing Set	
111	7023834	1	Wire	
112	Not Available	1	Lever	
113	Not Available	1	Pin	
114	Not Available	1	Wire	
115	Not Available	1	Plate, Swash	
116	7023886	1pr	Race, Bearing	
		Ref.	<b>HOUSING ASSEMBLY</b>	
201	Not Available	1	Housing	
202	Not Available	2	Rollpin	
203	Not Available	3	Plug, O-Ring	
203A	Use Item 651	3	O-Ring	
204	Not Used			
205	7023890	2	Bushing	
206	Use Item 651	2	Glyd-Ring	
207	Not Available	1	Plug, O-Ring	
207A	Use Item 651	1	O-Ring	
208	Not Used			
209	Not Available	1	Pin	
210	Use Item 651	1	Plug	
211	Not Available	1	Plug, Breakoff	
		Ref.	<b>STROKING PISTION ASSEMBLY</b>	
301	7023891	1	Bolt, Centering	
302	Not Available	1	Piston, Center	
303	7023892	1	Collar, Spring	
304	7023893	1	Spacer	
305	7023894	1	Collar, Spring	
306	7023895	1	Ring, Retaining	
307	7023896	1	Ring	
308	Use Item 651	1	O-Ring	
309	7023897	1	Spring	
		Ref.	<b>PORT BLOCK ASSEMBLY</b>	
401	Not Available	1	Block, Port	
402	Use Item 651	1	Plug	
403	7023898	4	Capscrew M12 x 70	
404	Not Used			
405	Use Item 651	1	O-Ring	
406	Not Used			
407	7023899	1	Bearing, Roller	

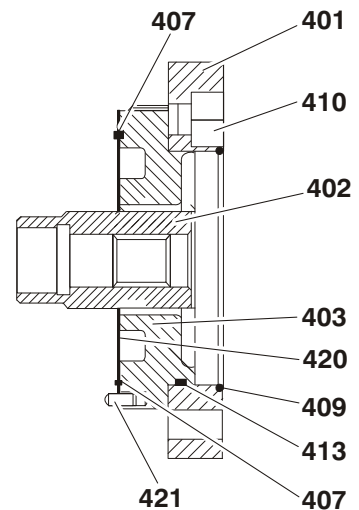
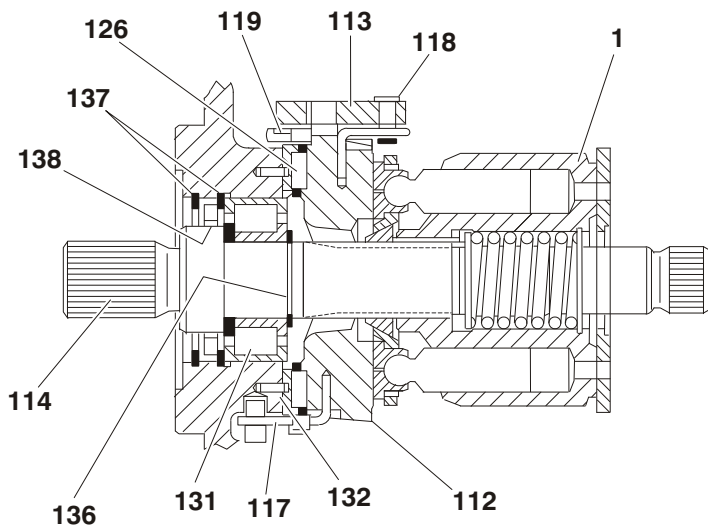
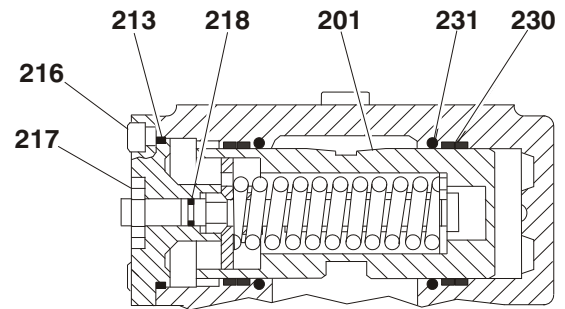
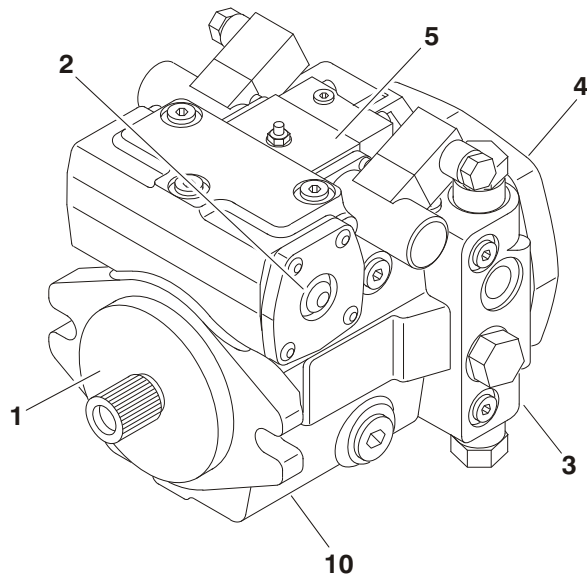
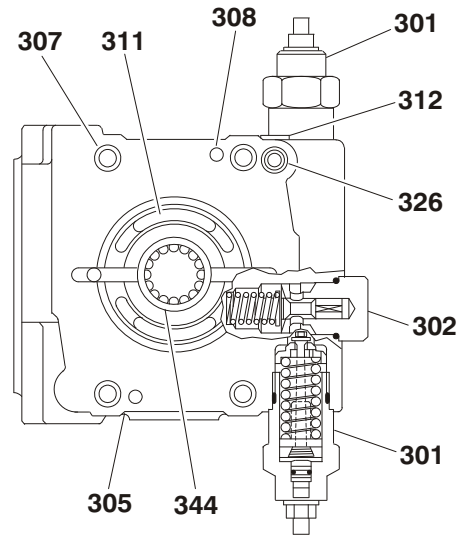
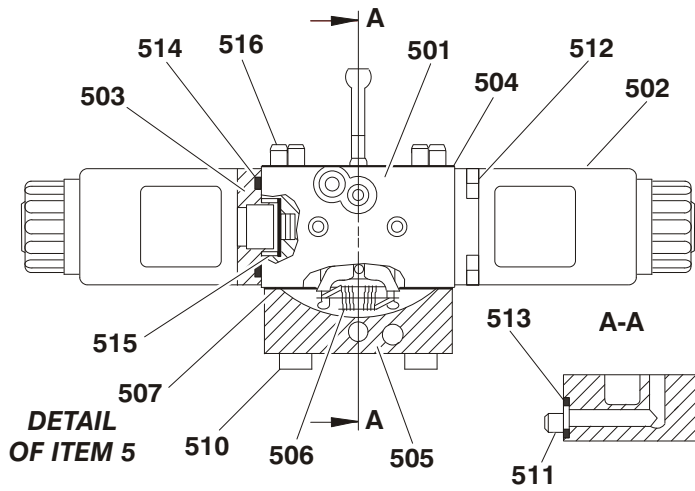
## SECTION 2 GROUND CONTROLS

**FIGURE 2-5. VARIABLE DISPLACEMENT PUMP ASSEMBLY (PRIOR TO S/N 117591)**

ITEM #	PART NUMBER	QTY.	DESCRIPTION	REV.
408	Not Available	2	Pin, Dowell	
409	Not Used			
410	Not Available	2	Plug, O-Ring	
410A	Use Item 651	2	O-Ring	
		Ref.	<b>CONTROL VALVE ASSEMBLY</b>	
501	Use Item 651	1	Nut, Seal	
502	Not Available	1	Eccentric	
503	7024000	1	Capscrew M6 x 45	
504	7024001	4	Capscrew M6 x 70	
505	Use Item 651	1	Gasket	
506	7023854	2	Solenoid	
507	7023855	1	Connector, Electrical (Gray)	
508	Not Available	8	Capscrew M4 x 50	
509	Use Item 651	2	O-Ring	
510	7023856	1	Connector, Electrical (Black)	
511	Not Available	2	Pin, Dowell	
512	Use Item 651	1	Gasket	
513	Not Available	1	Pin	
514	7024002	1	Lever, Feedback	
515	7024003	2	Lever	
516	7023859	1	Spring	
517	Not Available	1	Cover	
518	Use Item 651	1	O-Ring	
519	Not Available	1	Block	
520	Not Available	1	Piston	
		Ref.	<b>THRU DRIVE ASSEMBLY</b>	
601	Not Available	1	Plate	
602	7024004	1	Coupling, Shaft	
603 to 606	Not Used			
607	Use Item 651	2	O-Ring	
608	Not Available	1	Gear	
609	Use Item 651	1	O-Ring	
610	Not Available	4	Capscrew M10 x 20	
611 to 612	Not Used			
613	Use Item 651	1	O-Ring	
614 to 619	Not Used			
620	7024005	1	Plate, Wear	
621	Not Available	1	Pin	
651	7024006	1	Seal Kit (Includes Items 9,10,14A,15A,20A,20B,23A, 24,29A,203A,206,207A,210,308,402,405,410A,501, 505,509,512,518,607,609 & 613	

# SECTION 2 GROUND CONTROLS

FIGURE 2-6. VARIABLE DISPLACEMENT PUMP ASSEMBLY (S/N 117591 TO PRESENT)



## SECTION 2 GROUND CONTROLS

**FIGURE 2-6. VARIABLE DISPLACEMENT PUMP ASSEMBLY (S/N 117591 TO PRESENT)**

ITEM #	PART NUMBER	QTY.	DESCRIPTION	REV.
	3600414	Ref.	<b>PISTON PUMP ASSEMBLY</b>	B
1	7024064	1	Rotary Group (See Items 101-138 for Breakdown)	
2	7024065	1	Control Assembly (See Items 201-231 for Breakdown)	
3	Not Available	1	Valve Plate Assembly (See Items 301-344 for Breakdown)	
4	Not Available	1	Internal Pump Assembly (See Items 401-421 for Breakdown)	
5	7024068	1	Module Assembly (See Items 501-516 for Breakdown)	
6 to 9	Not Used			
10	Not Available	1	Housing	
11 to 12	Not Used			
13	80934596	1	Joint, Pin (Not Shown)	
14	Not Available	1	Pin, Dowel (Not Shown)	
15 to 19	Not Used			
20	Not Available	1	Screw, Locking (Not Shown)	
21	Not Used			
22	Not Available	3	Screw, Locking (Not Shown)	
23	Not Available	1	Screw, Locking (Not Shown)	
24	Not Available	1	Screw, Locking (Not Shown)	
25 to 26	Not Used			
27	Not Available	1	Pin, Breakoff (Not Shown)	
28	7018936	2	Orifice (Not Shown)	
29 to 30	Not Used			
31	7028877	2	Pin, Clamping (Not Shown)	
32 to 40	Not Used			
41	7024069	1	O-Ring (Not Shown)	
42 to 48	Not Used			
49	Not Available	1	Plug (Not Shown)	
	7024064	Ref.	<b>ROTARY GROUP</b>	
101 to 111	Not Used			
112	Not Available	1	Swash Plate (Purchase Assembly p/n 7024064)	
113	Not Available	1	Ring, Slide (Purchase Assembly p/n 7024064)	
114	7023887	1	Driveshaft	
115 to 116	Not Used			
117	Not Available	1	Wire (Purchase Assembly p/n 7024064)	
118	Not Available	1	Joint, Pin (Purchase Assembly p/n 7024064)	
119	Not Available	1	Wire (Purchase Assembly p/n 7024064)	
120 to 125	Not Used			
126	Not Available	1 Pr	Liner, Bearing (Purchase Assembly p/n 7024064)	
127 to 130	Not Used			
131	7023888	1	Bearing, Roller	
132	7023885	1 Set	Cradle Bearing Assembly (Purchase Assembly p/n 7024064)	
133 to 135	Not Used			
136	Not Available	1	Ring, Retaining (Purchase Assembly p/n 7024064)	
137	70001968	2	Ring, Retaining (Purchase Assembly p/n 7024064)	
138	7024070	1	Seal, Shaft Ring	

## SECTION 2 GROUND CONTROLS

**FIGURE 2-6. VARIABLE DISPLACEMENT PUMP ASSEMBLY (S/N 117591 TO PRESENT)**

ITEM #	PART NUMBER	QTY.	DESCRIPTION	REV.
	7024065	Ref.	<b>CONTROL ASSEMBLY</b>	
201	Not Available	1	Piston, Positioning - Complete (Purchase Assembly p/n 7024065) (Includes Items 213 & 218)	
202 to 212	Not Used			
213	7024071	1	O-Ring, Outer Seal	
214 to 215	Not Used			
216	Not Available	4	Capscrew, Socket Head (Purchase Assembly p/n 7024065)	
217	Not Available	1	Nut, Hex (Purchase Assembly p/n 7024065)	
218	7024072	1	O-Ring, Stem	
219 to 229	Not Used			
230	Not Available	2	Ring, Guide (Purchase Assembly p/n 7024065)	
231	Not Available	2	Ring, Glide (Purchase Assembly p/n 7024065)	
3	Not Available	Ref.	<b>VALVE PLATE ASSEMBLY</b>	
301	7024073	2	Cartridge, Relief Valve <b>Note: Sold as an Assembly Except O-Ring &amp; Back-up Ring.</b>	
	7024075	2	O-Ring (1 Per Assembly)	
	7024076	2	Ring, Back-up (1 Per Assembly)	
302	7023881	1	Cartridge, Relief Valve <b>Note: Sold as an Assembly Except O-Ring.</b>	
	7024077	1	O-Ring	
303 to 304	Not Used			
305	Not Available	1	Plate, Port	
306	Not Used			
307	Not Available	4	Capscrew	
308	Not Available	2	Pin, Dowel	
309 to 310	Not Used			
311	Not Available	1	Pin, Breakoff	
312	Not Available	1	Screw, Locking	
313 to 325	Not Used			
326	7024908	1	O-Ring	
327 to 334	Not Used			
335	Not Available	2	Screw, Locking (Not Shown)	
336 to 343	Not Used			
344	Not Available	1	Bearing, Roller	
	Not Available	Ref.	<b>INTERNAL PUMP ASSEMBLY</b>	
401	Not Available	1	Plate, Sandwich	
402	7024004	1	Coupling, Shaft	
403	Not Available	1	Seal, Ring	
404 to 406	Not Used			
407	Not Available	2	Seal	
408	Not Used			
409	7024082	1	O-Ring	
410	Not Available	4	Capscrew	
411 to 412	Not Used			
413	7024081	1	O-Ring	



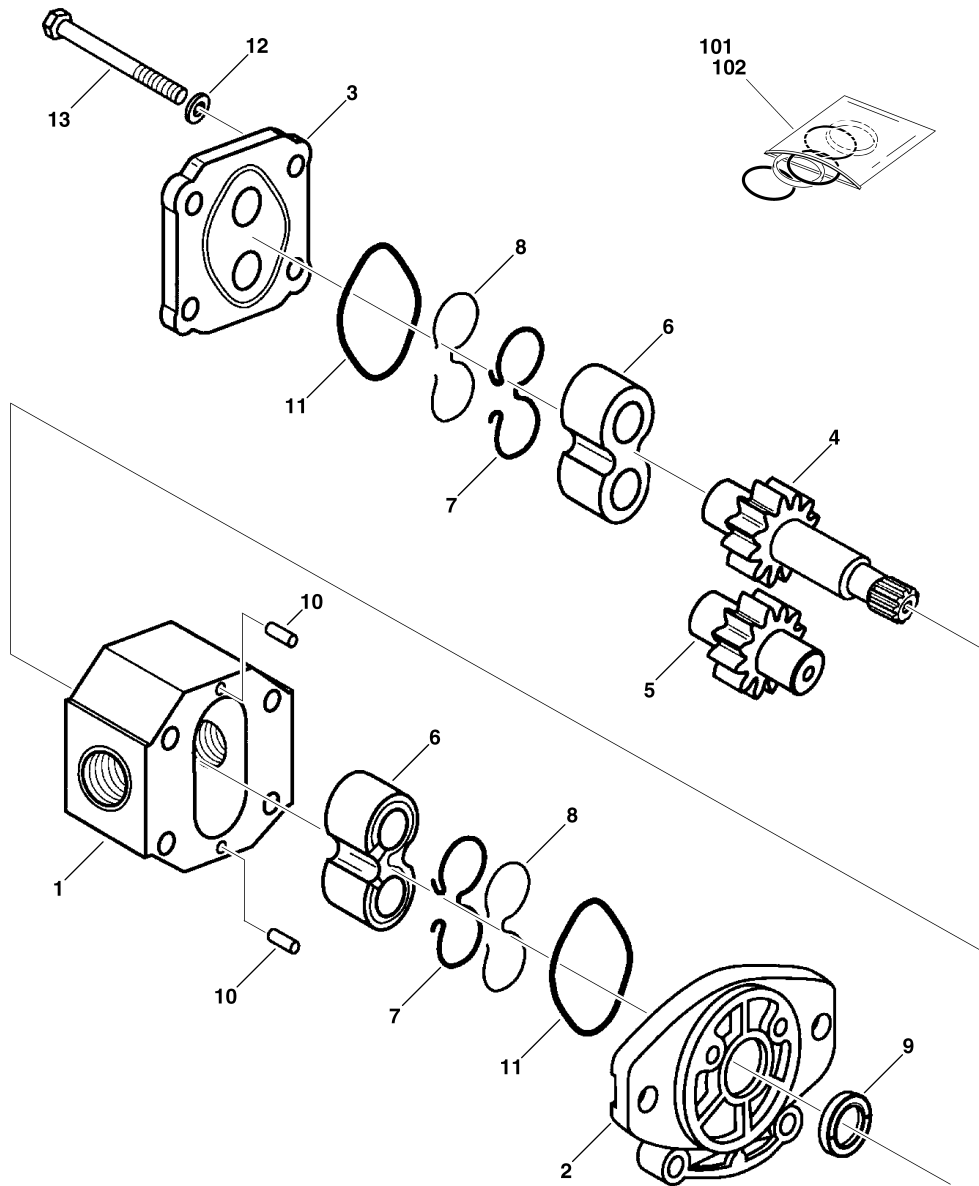
## SECTION 2 GROUND CONTROLS

**FIGURE 2-6. VARIABLE DISPLACEMENT PUMP ASSEMBLY (S/N 117591 TO PRESENT)**

ITEM #	PART NUMBER	QTY.	DESCRIPTION	REV.
414 to 419	Not Used			
420	7024005	1	Plate, Wear	
421	Not Available	1	Pin, Dowel	
	7024068	Ref.	<b>MODULE ASSEMBLY</b>	
501	7024084	1	Module, Control (Valve Block) Less Coils <b>Note: No Internal Replacement Parts Available. Sold as an Assembly Only.</b>	
502	7024083	2	Coil, Solenoid	
503	Not Available	2	Adapter, Valve Block to Coil (Purchase Assembly p/n 7024068)	
504	7024085	1	Gasket	
505	Not Available	1	Cover (Purchase Assembly p/n 7024068)	
506	Not Available	1	Spring, Draw (Purchase Assembly p/n 7024068)	
507	7024086	1	Gasket	
508 to 509	Not Used			
510	80934644	4	Capscrew	
511	Not Available	1	Capscrew (Purchase Assembly p/n 7024068)	
512	Not Available	8	Capscrew (Purchase Assembly p/n 7024068)	
513	7024087	1	O-Ring	
514	7024088	2	O-Ring	
515	7024089	2	Cup, Spring	
516	Not Available	2	Pin, Dowel (Purchase Assembly p/n 7024068)	
	Not Available	1	----- Seal Kit - Complete	

## SECTION 2 GROUND CONTROLS

FIGURE 2-7. GEAR PUMP ASSEMBLY (PRIOR TO S/N 111922)



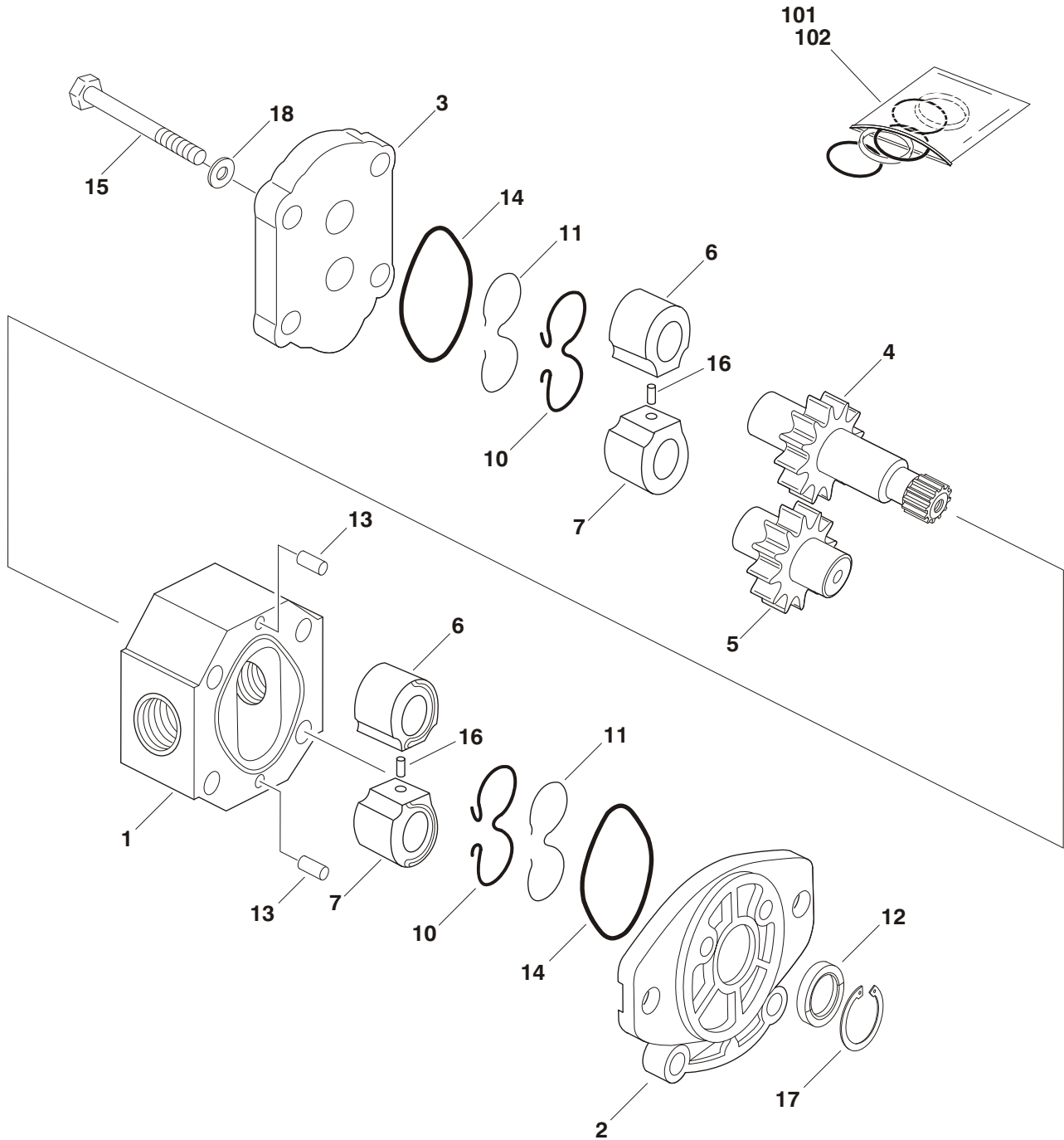
## SECTION 2 GROUND CONTROLS

**FIGURE 2-7. GEAR PUMP ASSEMBLY (PRIOR TO S/N 111922)**

ITEM #	PART NUMBER	QTY.	DESCRIPTION	REV.
	3600301	Ref.	<b>GEAR PUMP ASSEMBLY</b>	B
1	Not Serviced	1	Body	
2	Not Serviced	1	Cover, Front	
3	Not Serviced	1	Cover, Rear	
4	7023816	1	Gear, Drive	
5	7023817	1	Gear, Idler	
6	Use Item 102	2	Bearing, Block	
7	See Note	2	Seal, Loading <b>(Note: Use Items 101 &amp; 102)</b>	
8	See Note	2	Seal, Anti Extrusion <b>(Note: Use Items 101 &amp; 102)</b>	
9	See Note	1	Seal, Shaft <b>(Note: Use Items 101 &amp; 102)</b>	
10	Not Available	2	Pin, Dowel	
11	See Note	2	Ring, Square <b>(Note: Use Items 101 &amp; 102)</b>	
12	7023813	4	Washer	
13	7023818	4	Screw, Cap	
		1	----- Seal Kit Options:	
101	7023808		Kit 1 (Includes Items - 7,8,9 & 11)	
102	7023819		Kit 2 (Includes Items - 6,7,8,9 & 11)	

## SECTION 2 GROUND CONTROLS

FIGURE 2-8. GEAR PUMP ASSEMBLY (S/N 111922 TO PRESENT)



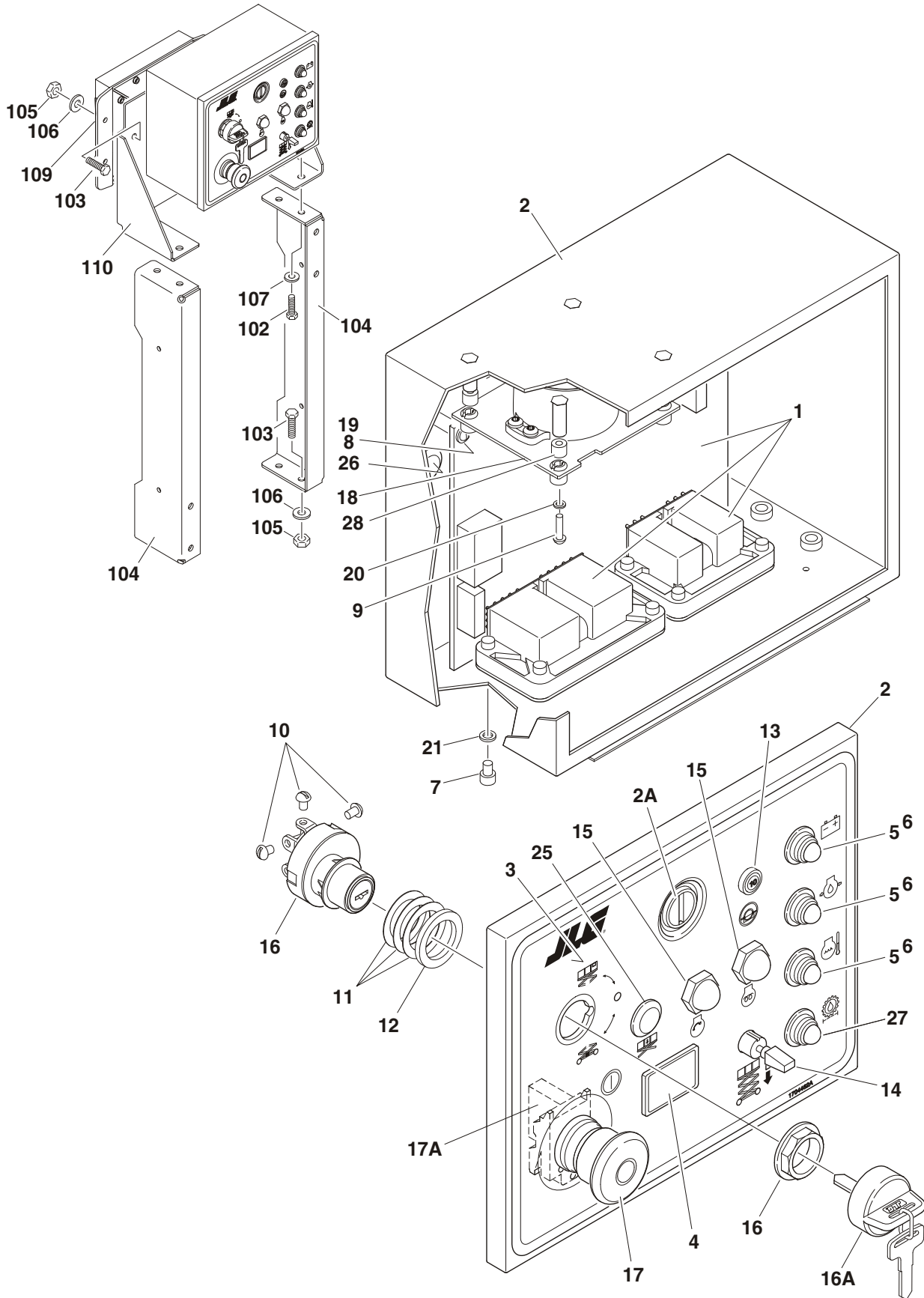
## SECTION 2 GROUND CONTROLS

**FIGURE 2-8. GEAR PUMP ASSEMBLY (S/N 111922 TO PRESENT)**

ITEM #	PART NUMBER	QTY.	DESCRIPTION	REV.
	3600369	Ref.	<b>GEAR PUMP ASSEMBLY</b>	A
1	Not Serviced	1	Body	
2	Not Serviced	1	Cover, Front	
3	Not Serviced	1	Cover, Rear	
4	Not Serviced	1	Gear, Drive	
5	Not Serviced	1	Gear, Driven	
6	Use Item 102	2	Bearing, Block	
7	See Note	2	Bearing, Block <b>(Note: Use Items 101 &amp; 102)</b>	
8 to 9	Not Used			
10	See Note	2	Seal, Loading <b>(Note: Use Items 101 &amp; 102)</b>	
11	See Note	2	Seal, Anti Extrusion <b>(Note: Use Items 101 &amp; 102)</b>	
12	See Note	1	Seal, Shaft <b>(Note: Use Items 101 &amp; 102)</b>	
13	Not Available	2	Pin, Dowel	
14	See Note	2	Ring, Square <b>(Note: Use Items 101 &amp; 102)</b>	
15	Not Serviced	4	Screw, Cap	
16	Not Available	2	Pin, Dowel	
17	Not Available	1	Ring, Retaining	
18	Not Available	4	Lockwasher	
		1	----- Seal Kit Options:	
101	7024960		Minor Seal Kit 1 (Includes Items - 7,10,11,12 & 14)	
102	7024961		Major Seal Kit 2 (Includes Items - 6,7,10,11,12 & 14)	

# SECTION 2 GROUND CONTROLS

## FIGURE 2-9. GROUND CONTROLS INSTALLATION



## SECTION 2 GROUND CONTROLS

**FIGURE 2-9. GROUND CONTROLS INSTALLATION**

ITEM #	PART NUMBER	QTY.	DESCRIPTION	REV.
		Ref.	<b>GROUND CONTROL BOX ASSEMBLIES</b>	
		Ref.	<b>Machines without Leveling Jacks Options:</b>	
	0270069	Ref.	<b>Prior to S/N 115038</b>	K
	0270424	Ref.	<b>S/N 115038 to S/N 141689</b>	N
	1810012	Ref.	<b>S/N 141689 to Present</b>	H
		Ref.	<b>Machines with Leveling Jacks Options:</b>	
	0270424	Ref.	<b>Prior to S/N 141689</b>	N
	1810012	Ref.	<b>S/N 141689 to Present</b>	H
	1810002	Ref.	<b>Machines with Auto Level Leveling Jacks (Australian Spec) (Prior to S/N 141689)</b>	G
	Use 1810012	Ref.	<b>Machines with Auto Level Leveling Jacks (S/N 141689 to Present) (Prior to S/N 149795 was p/n 1810011)</b>	H
1		1	Circuit Board Options:	
			Machines without Leveling Jacks Options:	
	0610140		Prior to S/N 115038	
	1600457		S/N 115038 to S/N 141689 (Was P/N 0610134)	
	1600382		S/N 141689 to Present	
	1600457		Machines with Leveling Jacks (Prior to S/N 141689 - Was P/N 0610134)	
	1600382		Machines with Auto Level Leveling Jacks (S/N 141689 to Present)	
2	0861315	1	Box, Ground Control	
2A	Not Available	1	Latch	
3		1	Decal - Ground Control Box Options:	
	1704462		Prior to S/N 112399	
	1705729		S/N 112399 to Present (Shown)	
4	2420172	1	Gauge, Hour Meter	
5	2920026	A/R	Lamp, Holder	
6	2920029	A/R	Lamp, Bulb	
7	3900281	8	Screw	
8	3910606	3	Screw #6-32NC x 3/8"	
9		4	Bolt Options:	
	3910616		Bolt #6-32NC x 1" (Prior to S/N 125353)	
	3910612		Bolt #6-32NC x 3/4" (S/N 125353 to S/N 0200191139)	
	3910616		Bolt #6-32NC x 1" (S/N 0200191139 to Present)	
10	3910804	3	Screw	
11	4070987	3	Shim	
12	4070991	1	Shim	
13	4360070	1	Breaker, Circuit - 15Amp	
14	4360328	1	Switch, Toggle	
15	4360387	2	Switch, Yellow Push Button	
16	4360470	1	Switch, Key	
16A	2860030	2	Key, Replacement	
17	4360475	1	Switch, E-Stop	
	7020175	1	Ring, Sealing	
17A	7020176	1	Block, Contact	
18		1	Switch, Dual Axis Options:	
	4360481		Prior to S/N 125353	
	Use 1001102811		S/N 125353 to Present (was p/n 4000006)	

## SECTION 2 GROUND CONTROLS

**FIGURE 2-9. GROUND CONTROLS INSTALLATION (CONTINUED)**

ITEM #	PART NUMBER	QTY.	DESCRIPTION	REV.
19	4750600	3	Flatwasher #6 (Wide)	
20	4760600	4	Lockwasher #6	
21	4761000	8	Lockwasher #10	
22	4922339	1	Harness, Tilt (Not Shown - See Section 7 for Breakdown) (Prior to S/N 125353)	
23			Ground Control Box Harness Options (Not Shown - See Section 7 for Breakdown):	
	4922378		Prior to S/N 141689	
	4923293		S/N 141689 to Present	
24	Not Used			
25		A/R	Component Option (S/N 112399 to Present Only):	
	3520193	1	Plug	
	2920026	1	Lamp, Indicator	
	2620029	1	Bulb, Light	
26	3520030	1	Plug (S/N 115167 to Present Only)	
27		A/R	Component Option (S/N 141689 to Present Only):	
	3520193	1	Plug	
	2920026	1	Lamp, Indicator	
	2620029	1	Bulb, Light	
28	1001102512	4	Spacer (Nylon) (S/N 0200191139 to Present)	
		Ref.	<b>GROUND CONTROL BOX INSTALLATIONS</b>	
	0259804	Ref.	<b>Machines without Leveling Jacks (Prior to S/N 141689)</b>	C
	0274653	Ref.	<b>Machines without Leveling Jacks (S/N 141689 to Present)</b>	A
	0259835	Ref.	<b>Machines with Leveling Jacks (Prior to S/N 141689)</b>	A
	0274320	Ref.	<b>Machines with Auto Level Leveling Jacks (Australian Spec) (Prior to S/N 141689)</b>	B
	0274651	Ref.	<b>Machines with Auto Level Leveling Jacks (S/N 141689 to Present)</b>	B
101	Not Used			
102	0641404	4	Bolt 1/4"-20NC x 1/2"	
	0641406	4	Bolt 1/4"-20NC x 3/4" (Auto Level Leveling Jacks)	
103	0641406	A/R	Bolt 1/4"-20NC x 3/4"	
104	0902595	2	Bracket	
105	3311405	A/R	Locknut 1/4"-20NC	
106	4751400	4	Flatwasher 1/4" (Wide)	
	4711400	8	Flatwasher 1/4" (Narrow) (Auto Level Leveling Jacks)	
107	4761400	4	Lockwasher 1/4"	
108		1	Ground Control Harness Options (Not Shown - See Section 7 for Breakdown):	
	4922365		Machines without Leveling Jacks (Prior to S/N 141689)	
	4923295		Machines without Leveling Jacks (S/N 141689 to Present)	
	4922436		Machines with Leveling Jacks & Auto Level Leveling Jacks (Prior to S/N 141689)	
	4923295		Machines with Leveling Jacks & Auto Level Leveling Jacks (S/N 141689 to Present)	
			<b>Note: Items 109 - 112 used on Auto Level Leveling Jacks Only.</b>	
109	1600386	1	Controller, Module	
110	4340887	1	Mount, Module	



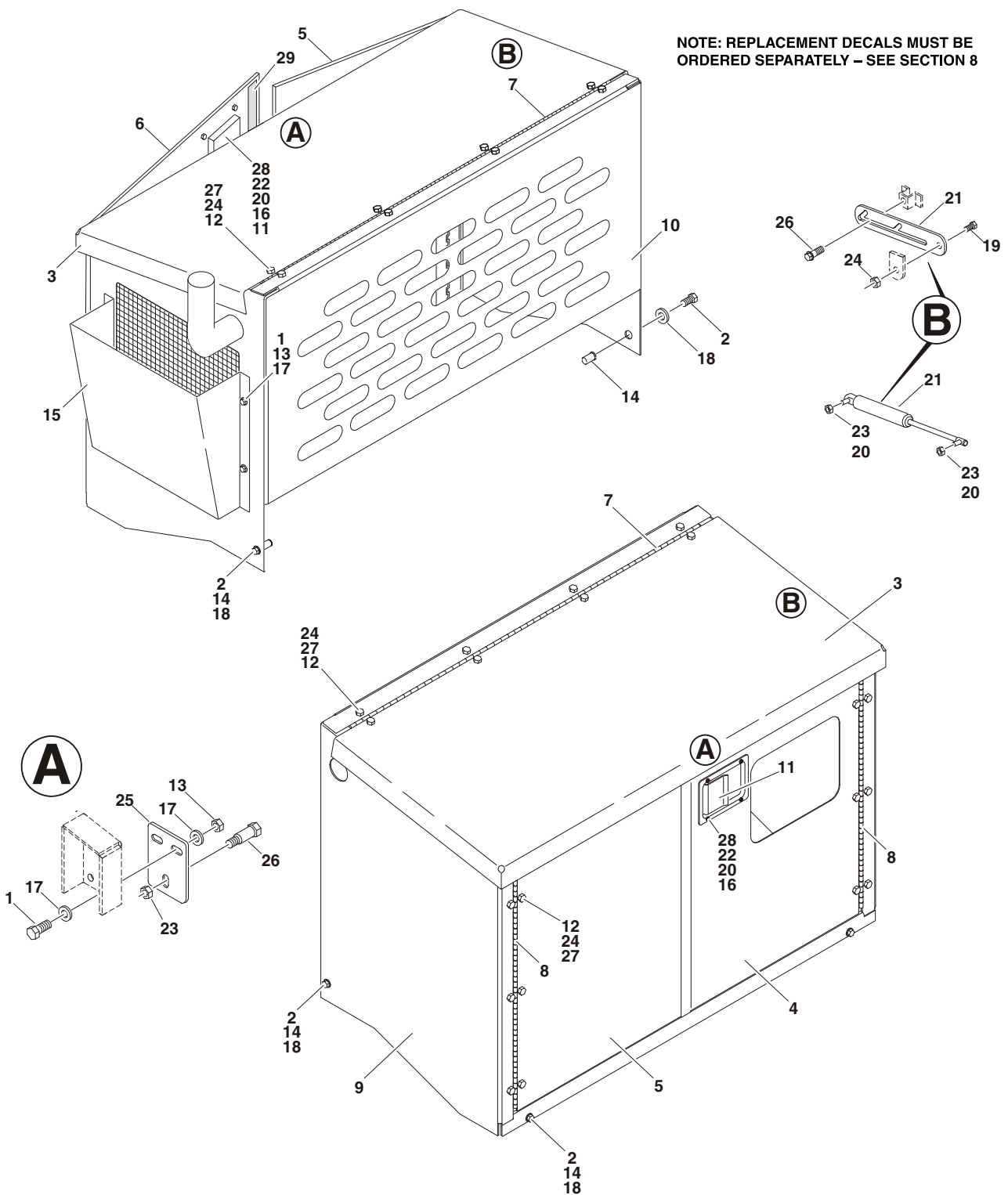
## SECTION 2 GROUND CONTROLS

**FIGURE 2-9. GROUND CONTROLS INSTALLATION (CONTINUED)**

ITEM #	PART NUMBER	QTY.	DESCRIPTION	REV.
111	4923135	1	Harness, Analyzer (Not Shown - See Section 7 for Breakdown)	
112	4923136	1	Harness, System Interconnect (Not Shown - See Section 7 for Breakdown)	

# SECTION 2 GROUND CONTROLS

## FIGURE 2-10. HOODS INSTALLATION



## SECTION 2 GROUND CONTROLS

**FIGURE 2-10. HOODS INSTALLATION**

ITEM #	PART NUMBER	QTY.	DESCRIPTION	REV.
	0259753	Ref.	<b>HOOD INSTALLATIONS</b>	H
1	0641404	8	Bolt 1/4"-20NC x 1/2"	
2	0641508	8	Bolt 5/16"-18NC x 1"	
3		2	Lid Weldment Options: Prior to S/N 102883	
	1780312		S/N 102883 to Present	
4	1780313	1	Door, Plate	
5	3571985	2	Plate, Door	
6	1780315	1	Door, Plate	
7	2600264	2	Hinge, Door	
8	2600265	4	Hinge, Door	
9		1	Hood, Left Side Options> Prior to S/N 102883	
	2680480		S/N 102883 to Present	
10		1	Hood, Right Side Options: Prior to S/N 102883	
	2680481		S/N 102883 to Present	
	2680493			
11	2940126	2	Latch, Rotary Paddle	
12	0641605	40	Bolt 3/8"-16NC x 5/8"	
13	3311405	8	Locknut 1/4"-20NC	
14	2080053	10	Fastener	
15	3539690	1	Plate, Air Intake	
16	3900289	8	Screw #8-32NC x 1/2	
17	4711400	16	Flatwasher 1/4" (Narrow)	
18	4711500	12	Flatwasher 5/16" (Narrow)	
19	0641608	2	Bolt 3/8"-16NC x 1"	
20	0100011	A/R	Loctite #242 (Not Shown)	
21		2	Hardware Options: Prior to S/N 102883 (Bar, Door Prop)	
	0362937		S/N 102883 to Present (Gas Shock)	
	4160185			
22	3310801	8	Nut #8-32NC	
23	3311501	A/R	Nut 5/16"-18NC	
24	3311605	A/R	Locknut 3/8"-16NC	
25	3572305	2	Plate, Striker Mount	
26	3900208	A/R	Striker	
27	4711600	A/R	Flatwasher 3/8" (Narrow)	
28	4750800	8	Flatwasher #8 (Wide)	
29	4420037	A/R	Tape, Insulation	
	2902213	1	Kit - Hood Sub Assembly (Includes Items: 1,3 thru 13,15 thru 17 & 20 thru 29)	2

## SECTION 2 GROUND CONTROLS

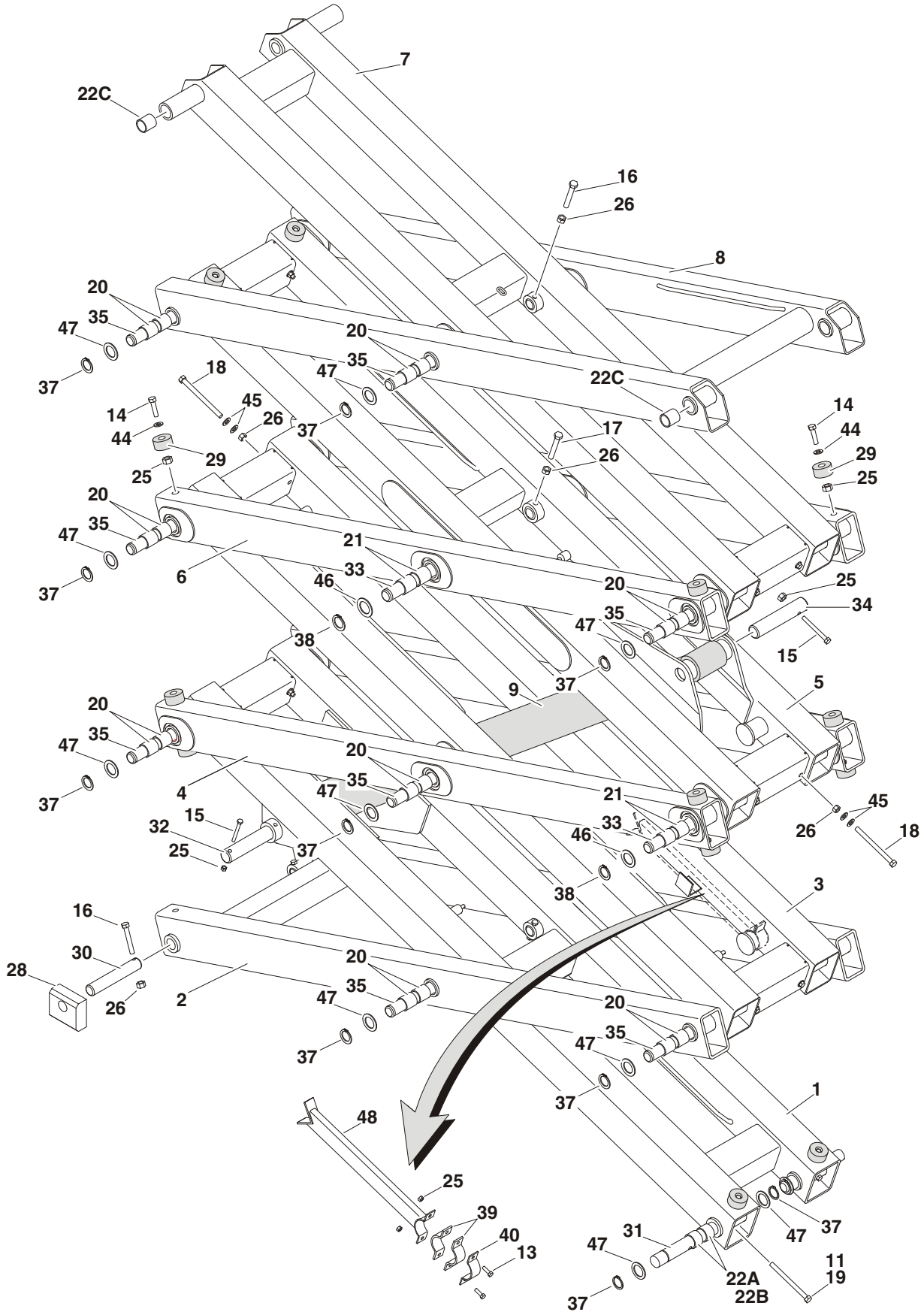
FIGURE 2-10. HOODS INSTALLATION (CONTINUED)

ITEM #	PART NUMBER	QTY.	DESCRIPTION	REV.

# **SECTION 3 SCISSORS ARMS**

# SECTION 3 SCISSORS ARMS

## FIGURE 3-1. SCISSOR ARMS INSTALLATION



## SECTION 3 SCISSORS ARMS

**FIGURE 3-1. SCISSOR ARMS INSTALLATION**

ITEM #	PART NUMBER	QTY.	DESCRIPTION	REV.
		Ref.	<b>SCISSOR ARMS INSTALLATION</b>	
	0259865	Ref.	<b>Prior to S/N 112688 (Without Load Sense Harness)</b>	J
	0273069	Ref.	<b>S/N 112688 to Present (Without Load Sense Harness)</b>	B
	1001110710	Ref.	<b>S/N 0200193881 to Present (With Load Sense Harness)</b>	A
1	0200699	1	Arm Weldment (1st Inboard)	
2	0200700	1	Arm Weldment (1st Outboard)	
3	0200701	1	Arm Weldment (2nd Inboard)	
4	0200680	2	Arm Weldment (2nd Outboard)	
5	0200702	1	Arm Weldment (3rd Inboard)	
6	0200682	2	Arm Weldment (3rd Outboard)	
7		1	Arm Weldment (4th Inboard) Options:	
	0200703		Prior to S/N 112688	
	0200728		S/N 112688 to Present	
8		1	Arm Weldment (4th Outboard) Options:	
	0200704		Prior to S/N 112688	
	0200729		S/N 112688 to Present	
9	1683887	1	Lift Cylinder Assembly (See Section 5 for Breakdown)	
10	Not Used			
11	0100011	A/R	Loctite #242	
12	Not Used			
13	0641508	2	Bolt 5/16"-18NC x 1"	
14	0641510	16	Bolt 5/16"-18NC x 1 1/4"	
15	0681524	2	Bolt 5/16"-18NC x 3"	
16	0641620	8	Bolt 3/8"-16NC x 2 1/2"	
17	0641622	2	Bolt 3/8"-16NC x 2 3/4"	
18	0641638	12	Bolt 3/8"-16NC x 4 3/4"	
19	0681610	2	Bolt 3/8"-16NC x 1 1/4"	
20	0962220	36	Bearing, Garmax	
21	0440241	8	Bearing, Polygon	
22		A/R	Bearing, Garmax Options:	
22A	0962234	4	Prior to S/N 105000	
22B	0962220	4	S/N 105000 to S/N 112688	
22C	0440250	4	S/N 112688 to Present	
23 to 24	Not Used			
25	3311505	20	Locknut 5/16"-18NC	
26	3311605	22	Locknut 3/8"-16NC	
27	Not Used			
28	3340879	2	Pad, Slide Block	
29	3340866	16	Pad, Arm	
30	3422709	2	Pin, Bottom Slider	
31	3422838	2	Pin, Bottom Pivot	
32	3422714	1	Pin, Cylinder	
33	3422839	4	Pin, Pivot	
34	3422815	1	Pin, Cylinder	
35	3422840	16	Pin, Pivot	
36	Not Used			
37	3760387	A/R	Ring, Snap	
38	3760419	4	Ring, Snap	

## SECTION 3 SCISSORS ARMS

**FIGURE 3-1. SCISSOR ARMS INSTALLATION (CONTINUED)**

ITEM #	PART NUMBER	QTY.	DESCRIPTION	REV.
39	4240125	2	Strap, Nylon	
40	4240128	1	Strap, Safety Prop	
41 to 43	Not Used			
44	4711500	16	Flatwasher 5/16" (Narrow)	
45	4711600	24	Flatwasher 3/8" (Narrow)	
46	4740333	4	Washer	
47	4740438	A/R	Washer	
48	4846024	1	Prop, Safety	
49	Not Used			
50	3020022	A/R	Grease, White Lithium (Not Shown)	
51	4420037	A/R	Tape, Insulation (Not Shown)	
52	4922428	1	Harness, Lift Down (Not Shown - See Section 7 for Breakdown)	
53	4922915	1	Harness, Load Sense (Not Shown)	
		1	----- Arm kit Options (Included Items 1- 8):	
	2902259		Prior to S/N 112688 (without LSS)	
	2902260		S/N 112688 to Present (without LSS)	
	1001110782		S/N 112688 to Present (with LSS)	



**SECTION 3 SCISSORS ARMS**

**FIGURE 3-1. SCISSOR ARMS INSTALLATION (CONTINUED)**

ITEM #	PART NUMBER	QTY.	DESCRIPTION	REV.

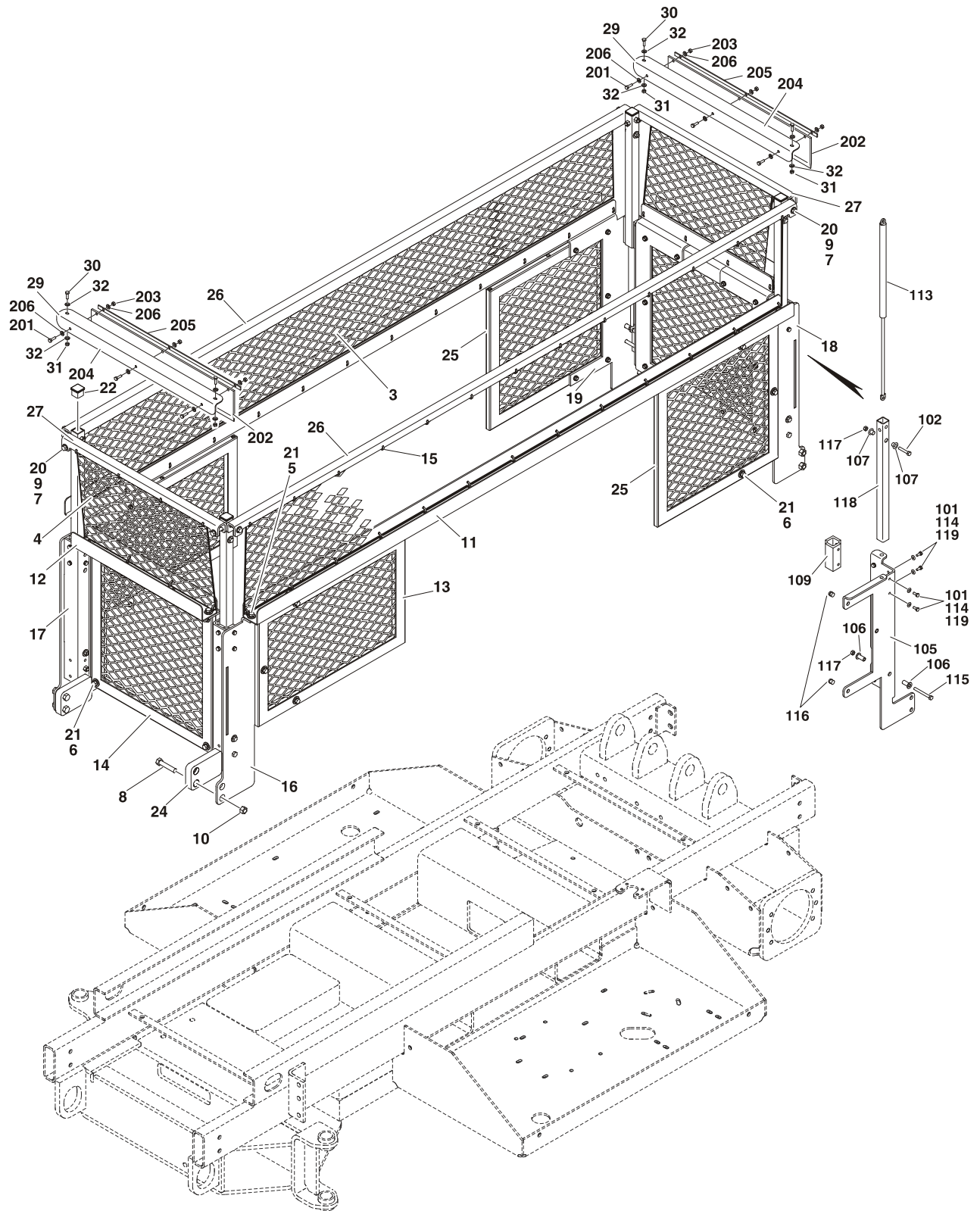
## SECTION 3 SCISSORS ARMS

FIGURE 3-1. SCISSOR ARMS INSTALLATION (CONTINUED)

ITEM #	PART NUMBER	QTY.	DESCRIPTION	REV.

# SECTION 3 SCISSORS ARMS

## FIGURE 3-2. ARM GUARDS INSTALLATION



## SECTION 3 SCISSORS ARMS

**FIGURE 3-2. ARM GUARDS INSTALLATION**

ITEM #	PART NUMBER	QTY.	DESCRIPTION	REV.
	0259818	Ref.	<b>ARM GUARD INSTALLATIONS</b>	F
1 to 2	Not Used			
3	0480116	2	Guard, Wire Mesh (Prior to S/N 113133)	
4	0480117	2	Guard, Wire Mesh (Prior to S/N 113133)	
5	0641607	8	Bolt 3/8"-16NC x 7/8" (Prior to S/N 113133)	
6	0641612	20	Bolt 3/8"-16NC x 1 1/2"	
7	0641624	8	Bolt 3/8"-16NC x 3" (Prior to S/N 113133)	
8	0641826	8	Bolt 1/2"-13NC x 3 1/4"	
9	3311605	16	Locknut 3/8"-16NC (Prior to S/N 113133)	
10	3311805	8	Locknut 1/2"-13NC	
11	3572472	2	Plate, Catch Tray (Prior to S/N 113133)	
12	3572473	2	Plate, Catch Tray (Prior to S/N 113133)	
13	4061016	2	Shield, Arm Guard	
14	4061018	2	Shield, Arm Guard	
15	4240033	68	Tie, Wire (Prior to S/N 113133)	
16	4340719	1	Arm Guard Support Assembly (Left Front - See 101 to 119 for Breakdown)	
17	4340720	1	Arm Guard Support Assembly (Right Front - See 101 to 119 for Breakdown)	
18	4340721	1	Arm Guard Support Assembly (Left Rear - See 101 to 119 for Breakdown)	
19	4340722	1	Arm Guard Support Assembly (Right Rear - See 101 to 119 for Breakdown)	
20	4711600	16	Flatwasher 3/8" (Narrow) (Prior to S/N 113133)	
21	4751600	A/R	Flatwasher 3/8" (Wide)	
22	3520072	8	Plug (Prior to S/N 113133)	
23	Not Used			
24	0561414	4	Bock, Spacer	
25	4061017	2	Shield, Arm Guards	
26	4568109	2	Tube, Belt Mount (Prior to S/N 113133)	
27	4568110	2	Tube, Belt Mount (Prior to S/N 113133)	
28	Not Used			
29	0240059	2	Attach, Arm Guard (See Items 201 - 206 for breakdown)	
30	0641407	4	Bolt 1/4"-20NC x 7/8" (S/N 113133 to Present)	
31	3311405	4	Locknut 1/4"-20NC (S/N 113133 to Present)	
32	4711400	8	Flatwasher 1/4" (S/N 113133 to Present)	
	2902216	1	Kit - Arm Guard Options: Includes Items: 3,4,11 thru 19 & 25 thru 27) (Prior to S/N 113133) Includes Items: 13,14,16 thru 19 & 29) (S/N 113133 to Present)	

## SECTION 3 SCISSORS ARMS

### FIGURE 3-2. ARM GUARDS INSTALLATION (CONTINUED)

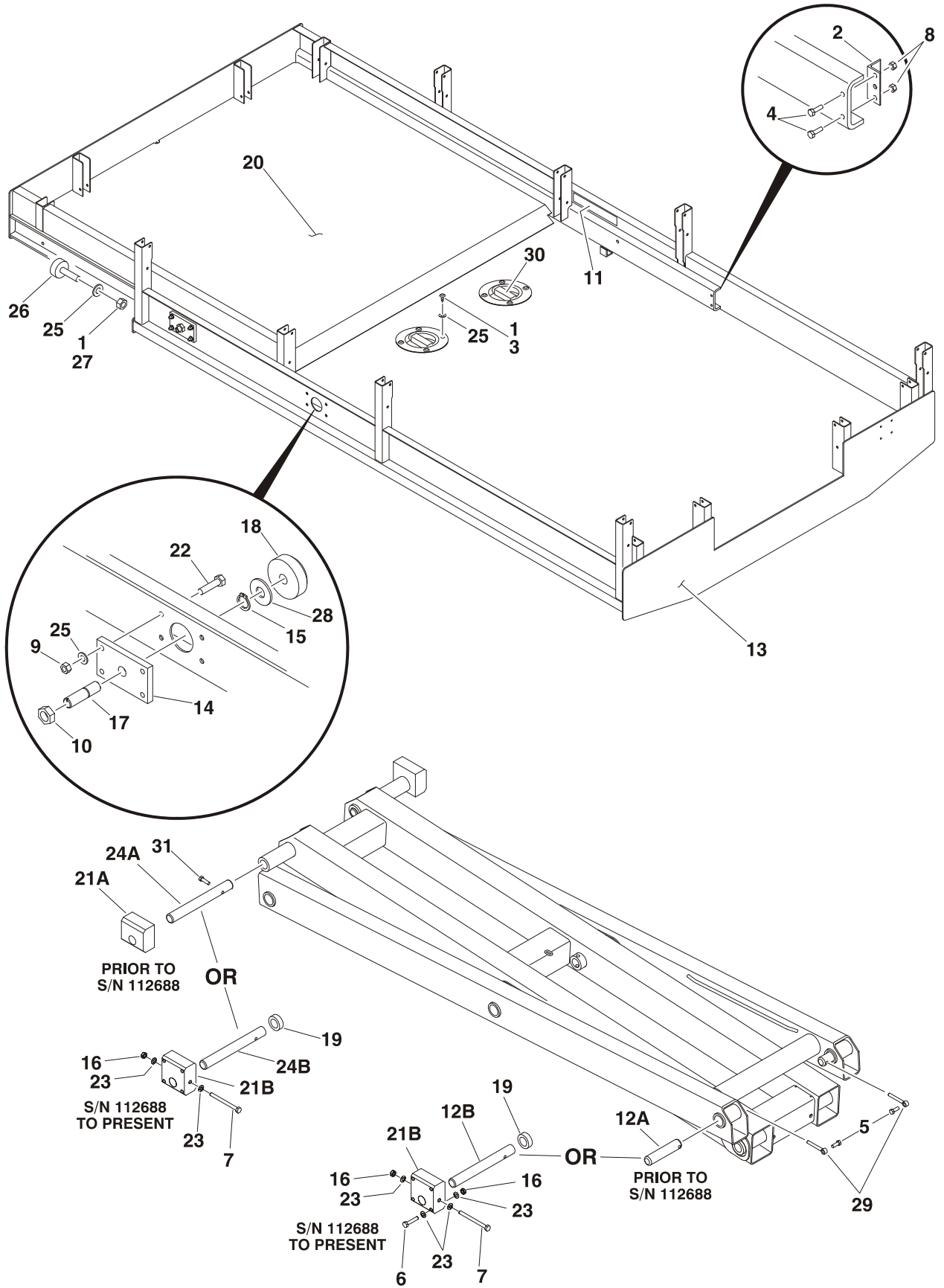
ITEM #	PART NUMBER	QTY.	DESCRIPTION	REV.
		Ref.	<b>ARM GUARD SUPPORT ASSEMBLY OPTIONS:</b>	
	4340719	Ref.	<b>Left Front Support</b>	E
	4340720	Ref.	<b>Right Front Support</b>	E
	4340721	Ref.	<b>Left Rear Support</b>	E
	4340722	Ref.	<b>Right Rear Support</b>	E
101	0641405	4	Bolt 1/4"-20NC x 5/8" (Prior to S/N 113133)	
102	0641514	1	Bolt 5/16"-18NC x 1 3/4" (Prior to S/N 113133)	
103 to 104	Not Used			
105		1	Arm Guard Support Bracket Options:	
	0902676		Left Front Support	
	0902677		Right Front Support	
	0902678		Left Rear Support	
	0902679		Right Rear Support	
106	0962332	2	Bushing, Arm Guard (Prior to S/N 113133)	
107	0962333	2	Bushing, Arm Guard (Prior to S/N 113133)	
108	Not Used			
109	3340902	2	Pad, Wear (Prior to S/N 113133)	
110 to 112	Not Used			
113	4160136	1	Spring, Gas (Prior to S/N 113133)	
114	4711400	4	Washer 1/4" (Narrow) (Prior to S/N 113133)	
115	0641524	1	Bolt 5/16"-18NC x 3" (Prior to S/N 113133)	
116	2080056	5	Fastener, Insert	
117	3311505	2	Locknut 5/16"-18NC (Prior to S/N 113133)	
118	4568099	1	Tube, Arm Guards (Prior to S/N 113133)	
119	0100011	A/R	Loctite #242 (Prior to S/N 113133)	
	0240059	Ref.	<b>ATTACH, ARM GUARD</b>	B
201	0641407	3	Bolt 1/4"-20NC x 7/8"	
202		1	Mould, Rubber Arm Guard Options:	
	3180013		Prior to S/N 126193	
	3180015		S/N 126193 to Present	
203	3311405	3	Locknut 1/4"-20NC	
204	3574649	1	Plate, Support	
205	3574650	1	Bar, Backing	
206	4711400	6	Flatwasher 1/4"	

## **SECTION 3 SCISSORS ARMS**

# **SECTION 4 PLATFORM**

# SECTION 4 PLATFORM

FIGURE 4-1. PLATFORM COMPONENTS INSTALLATION





## SECTION 4 PLATFORM

**FIGURE 4-1. PLATFORM COMPONENTS INSTALLATION**

ITEM #	PART NUMBER	QTY.	DESCRIPTION	REV.
		Ref.	<b>PLATFORM &amp; EXTENSION INSTALLATIONS</b>	
		Ref.	<b>Machines Built Prior to S/N 112688:</b>	
	0259616	Ref.	<b>Platform &amp; Extension</b>	F
	0259820	Ref.	<b>Platform &amp; Extension with D-Rings</b>	C
		Ref.	<b>Machines Built S/N 112688 to Present:</b>	
	0273066	Ref.	<b>Australian Spec Platform &amp; Extension</b>	A
	0273068	Ref.	<b>Australian Spec Platform &amp; Extension with D-Rings</b>	A
	See Note	Ref.	<b>CE Spec Platform &amp; Extension (Note: For CE Spec machines refer to JLG Supplement p/n 3124288)</b>	
1	0100011	A/R	Loctite #242	
2	0182035	2	Angle, Extension Stop	
3	0630476	8	Screw, Button Head	
4	0681508	4	Bolt 5/16"-18NC x 1"	
5	0641608	2	Bolt 3/8"-16NC x 1" (Prior to S/N 112688 Only)	
6	0641622	8	Bolt 3/8"-16NC x 2 3/4" (S/N 112688 to Present Only)	
7	0641636	4	Bolt 3/8"-16NC x 4 1/2" (S/N 112688 to Present Only)	
8	3271505	4	Locknut 5/16"-18NC	
9	3311505	16	Locknut 5/16"-18NC	
10	3322202	4	Jamnut (Right Hand)	
11	1703175	2	Decal, Lanyard (Platform with D-Rings Only)	
12		2	Pin, Slide Options (Rear):	
12A	3422777		All Specs Prior to S/N 112688	
12B	3422962		Australian Spec S/N 112688 to Present	
	See Note		CE Spec S/N 112688 to Present (Note: See JLG Supplement 3124288)	
13		1	Platform Weldment Options:	
	3510730		Platform (Prior to S/N 112688)	
	3510791		Platform (S/N 112688 to Present)	
	3510767		Platform with D-Rings (Prior to S/N 112688)	
	3510797		Platform with D-Rings (S/N 112688 to Present)	
14	3537619	4	Mount, Extension Roller	
15	3760348	4	Ring, Retaining	
16	3311605	12	Locknut 3/8"-16NC	
17	3841233	4	Rod, Roller Mount	
18	3860059	4	Roller, Extension	
19	4568295	4	Spacer	
20	4846143	1	Extension Weldment	
21		A/R	Block, Slide Options:	
21A	0561332	2	Prior to S/N 112688	
21B	0561474	4	S/N 112688 to Present	
22	0641510	16	Bolt 5/16"-18NC x 1 1/4"	
23	4751600	24	Flatwasher 3/8" Wide	
24		2	Pin, Slide Options (Front):	
24A	3422655		Prior to S/N 112688	
24B	3422962		Australian Spec S/N 112688 to Present	
	See Note		CE Spec S/N 112688 to Present (Note: See JLG Supplement 3124288)	
25	4711500	26	Flatwasher 5/16" (Narrow)	

## SECTION 4 PLATFORM

**FIGURE 4-1. PLATFORM COMPONENTS INSTALLATION (CONTINUED)**

ITEM #	PART NUMBER	QTY.	DESCRIPTION	REV.
26	0940049	2	Stopper, Hood	
27	3311501	2	Nut 5/16"-18NC	
28	4752200	4	Flatwasher 3/4" (Wide)	
29	3841143	2	Keeper 3/8" (Prior to S/N 112688 Only)	
30	3760321	2	Ring, Swivel D-Ring (Platform with D-Rings Only)	
31	0681610	2	Bolt 3/8"-16NC x 1 1/4" (Prior to S/N 112688 Only)	

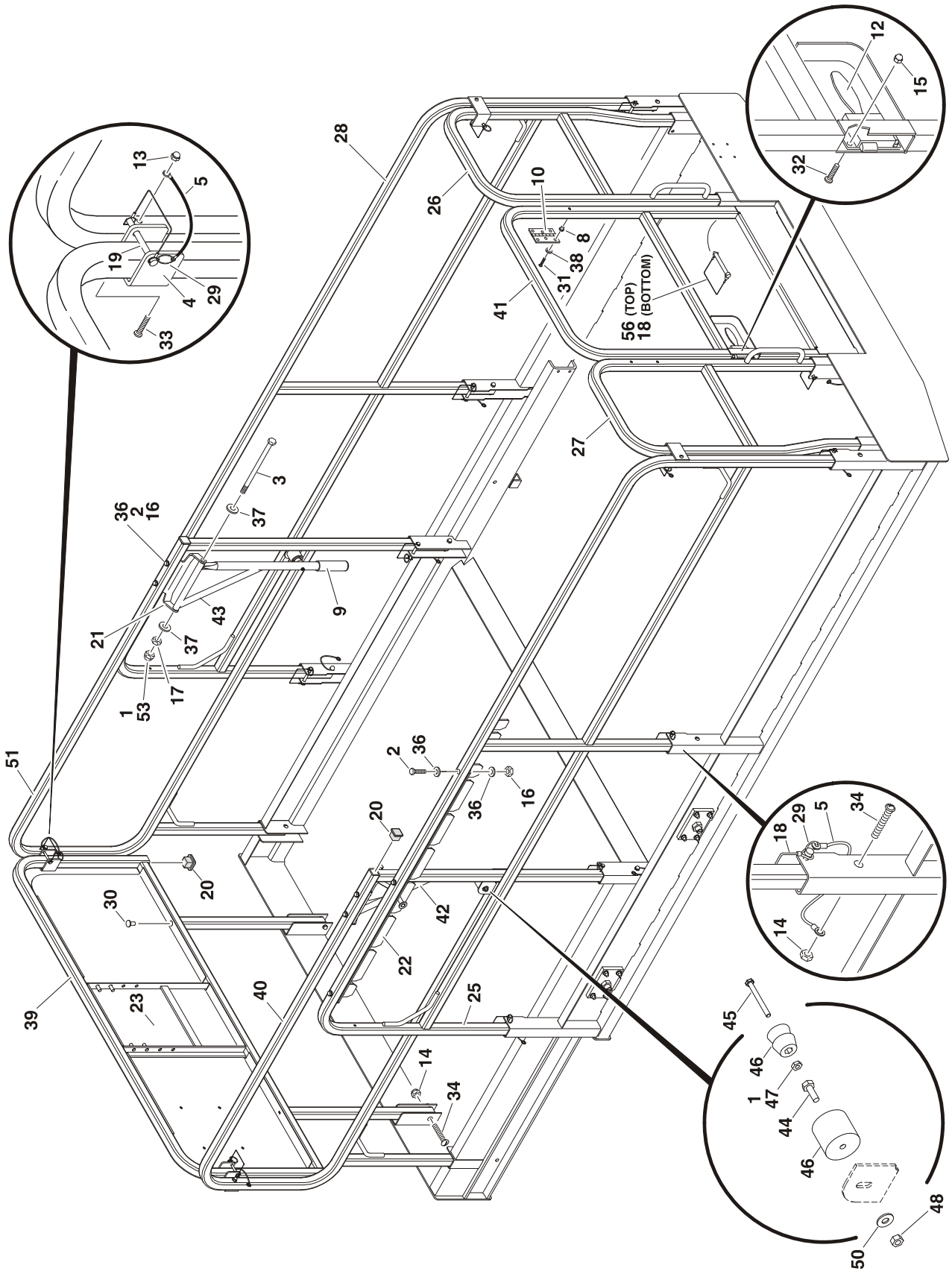
# SECTION 4 PLATFORM

## FIGURE 4-1. PLATFORM COMPONENTS INSTALLATION (CONTINUED)

ITEM #	PART NUMBER	QTY.	DESCRIPTION	REV.

# SECTION 4 PLATFORM

## FIGURE 4-2. HANDRAIL INSTALLATION (SWING GATE)



## SECTION 4 PLATFORM

**FIGURE 4-2. HANDRAIL INSTALLATION (SWING GATE)**

ITEM #	PART NUMBER	QTY.	DESCRIPTION	REV.
	0259943	Ref.	<b>HANDRAIL INSTALLATION (SWING GATE)</b>	N
1	0100011	A/R	Loctite #242	
2	0641516	7	Bolt 5/16"-18NC x 2"	
3	0641676	2	Bolt 3/8"-16NC x 9 1/2"	
4	0901870	4	Bracket	
5	1060808	9	Cable, Lanyard	
6 to 7	Not Used			
8	2080069	12	Fastener #10-32NF	
9	2560088	2	Handle	
10	2600253	2	Hinge	
11	Not Used			
12	2940074	1	Latch	
13		4	Hardware Options:	
	3300151		Nut, Acorn 1/4"-20NC (Prior to S/N 113155)	
	2080063		Fastener, Nylon Lock 1/4"-20NC (S/N 113155 to Present)	
14		16	Hardware Options:	
	3300356		Nut, Acorn 3/8"-16NC (Prior to S/N 113155)	
	2080064		Fastener, Nylon Lock 3/8"-16NC (S/N 113155 to Present)	
15	3300432	4	Nut, Acorn #10-24NC	
16	3311505	7	Locknut 5/16"-18NC	
17	3311605	2	Locknut 3/8"-16NC (Prior to S/N 163223)	
18	3421565	4	Pin, Snapper	
19	3422219	4	Pin, Snapper	
20	3520072	4	Cap, Plug	
21	3537609	2	Plate, Pivot	
22	3571829	1	Plate, Latch	
23	3571862	1	Plate, Placard	
24	Not Used			
25	3641342	1	Rail Weldment (Left Side)	
26	3641344	1	Rail Weldment (Right Side Entry)	
27	3641345	1	Rail Weldment (Left Side Entry)	
28	3641351	1	Rail Weldment (Right Side)	
29	3760170	9	Ring, Split	
30	3820020	4	Rivet, Pop	
31	3900267	12	Screw	
32	3911008	4	Screw	
33	3911428	4	Screw 1/4"-20NC x 1 3/4"	
34	3911532	16	Screw 5/16"-18NC x 2"	
35	Not Used			
36	4711500	14	Flatwasher 5/16" (Narrow)	
37	4711600	4	Flatwasher 3/8" (Narrow)	
38	4751000	12	Flatwasher #10 (Wide)	
39	4846120	1	Rail Weldment	
40	4846121	1	Rail Weldment (Left Side Extension)	
41	4846122	1	Gate, Self Closing	
42	4846181	1	Handle (Left Side)	
43	4846191	1	Handle (Right Hand)	
44	0641406	2	Bolt 1/4"-20NC x 3/4"	

## SECTION 4 PLATFORM

**FIGURE 4-2. HANDRAIL INSTALLATION (SWING GATE) (CONTINUED)**

ITEM #	PART NUMBER	QTY.	DESCRIPTION	REV.
45	0700619	2	Screw	
46	2940127	2	Latch, Rubber	
47	3290601	2	Nut 6mm	
48	3311405	2	Locknut 1/4"-28NF	
49	Not Used			
50	4751400	2	Flatwasher 1/4" (Wide)	
51	4846256	1	Rail Weldment (Right Side Extension)	
52	0100048	A/R	Grease, Dielectric (Not Shown) (Prior to S/N 163223)	
53		2	Nut, Acorn 3/8"-16NC Options:	
	3300420		Prior to S/N 163223	
	3300467		S/N 163223 to Present	
54	Not Used			
55	4751600	2	Flatwasher 3/8" (S/N 163223 to Present)	
56	1001097458	1	Pin, Snapper	
			-----	
	2902039	1	Handrail Kit - (Includes Items - 25,26,27,28,39,40,41 & 51)	

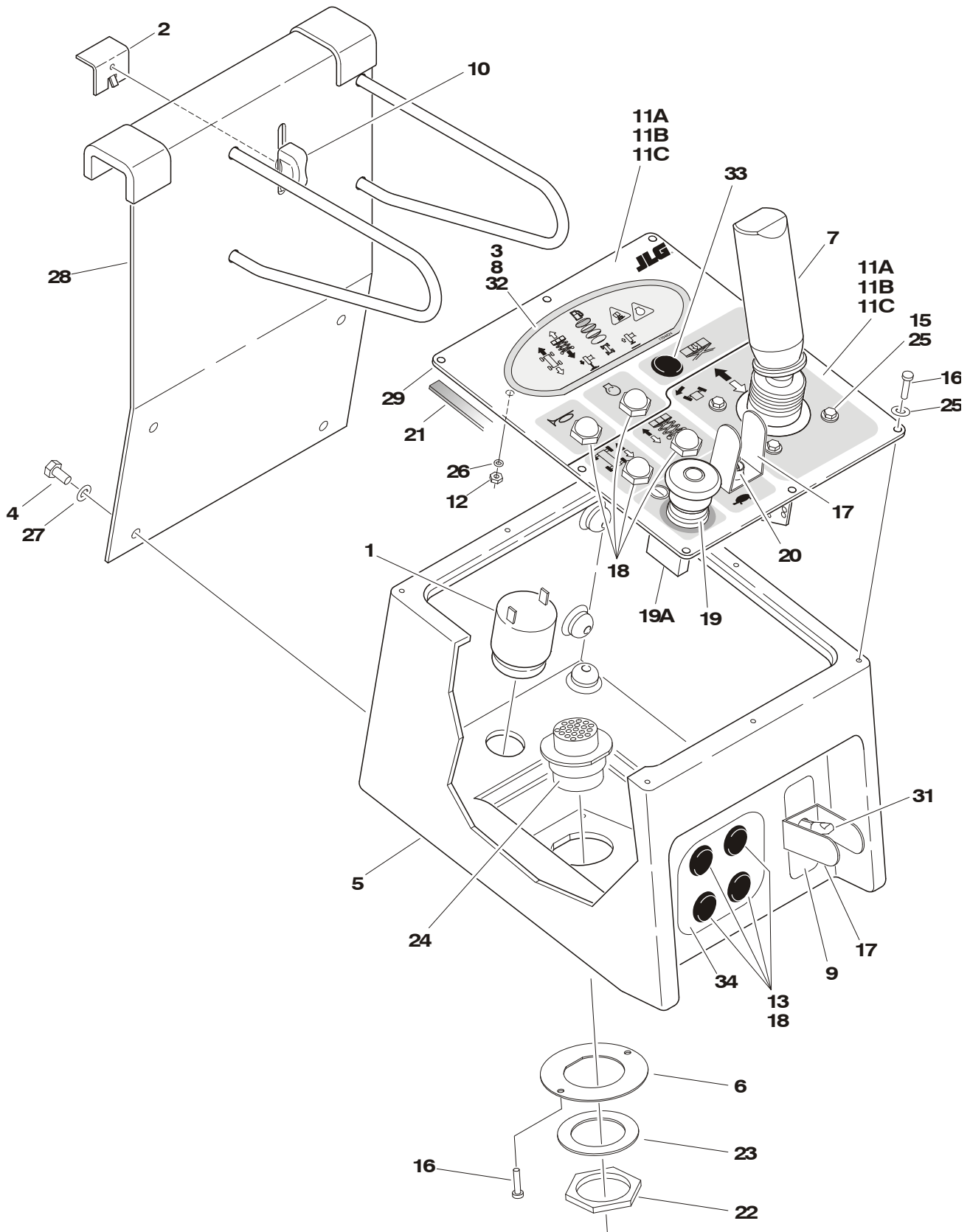
**SECTION 4 PLATFORM**

**FIGURE 4-2. HANDRAIL INSTALLATION (SWING GATE) (CONTINUED)**

ITEM #	PART NUMBER	QTY.	DESCRIPTION	REV.

# SECTION 4 PLATFORM

## FIGURE 4-3. CONSOLE BOX ASSEMBLY





## SECTION 4 PLATFORM

**FIGURE 4-3. CONSOLE BOX ASSEMBLY**

ITEM #	PART NUMBER	QTY.	DESCRIPTION	REV.
		Ref.	<b>CONSOLE BOX ASSEMBLY OPTIONS:</b>	
	0270198	Ref.	<b>Diesel Machines without Leveling Jacks (Prior to S/N 141689)</b>	J
	1810017	Ref.	<b>Diesel Machines without Leveling Jacks (S/N 141689 to Present)</b>	B
	0270451	Ref.	<b>Diesel Machines with Leveling Jacks</b>	E
	1810001	Ref.	<b>Diesel Machines with Auto Level Leveling Jacks</b>	B
1	0140011	1	Alarm	
2	0181847	1	Angle, Latch	
3	0610135	1	Board, P/C Display	
4	0641404	4	Bolt 1/4"-20NC x 1/2"	
5	0861357	1	Box, Console	
6	0902499	1	Bracket, D-Ring	
7		1	Drive/Steer Controller Assembly Options: Prior to S/N 142023 (See Figure 4-4 for Breakdown) S/N 142023 to Present (See Figure 4-5 for Breakdown)	
8	Use Item 11C	1	Decal - Display Board (Prior to S/N 120329 was p/n 1704624) <b>Note:</b> Item 11C will need trimmed to fit machines built Prior to S/N 112399.	
9	1704589	1	Decal - Glow Plug	
10	2560141	1	Thumbscrew	
11		1	Nameplate Options: Prior to S/N 112399 S/N 112399 to Present (Shown)	
11		A/R	Nameplate Options:	
11A	3252695		Prior to S/N 112399 (1 Pc Decal)	
11B	Use 11C & 11D		S/N 112399 to S/N 120329 (1 Pc Decal) S/N 120329 to Present Options: (2 Pc Decal)	
11C	1705947	1	Machines without Generator (Top Half)	
11D	1705948	1	Machines without Generator (Bottom Half)	
12	3310601	4	Nut #6-32NC	
13		A/R	Component Options:	
	3520080	4	Machines without Leveling Jacks (Plug)	
	4360387	4	Machines with Leveling Jacks (Push Button Switch)	
	4360387	1	Machines with Auto Level Leveling Jacks (Push Button Switch)	
	3520080	3	Machines with Auto Level Leveling Jacks (Plug)	
14	Not Used			
15	3900178	4	Screw, Plastite #10-32NC x 1/2"	
16	3900265	10	Screw, Self-Tapping #8-18 x 3/4"	
17	4060802	2	Guard, Switch	
18	4360387	A/R	Switch, Push Button Options:	
		4	Leveling Jacks	
		1	Auto Level Leveling Jacks	
19	4360475	1	Switch, Emergency Stop	
	7020175	1	Ring, Sealing	
19A	7020176	1	Block, Contact	

## SECTION 4 PLATFORM

**FIGURE 4-3. CONSOLE BOX ASSEMBLY (CONTINUED)**

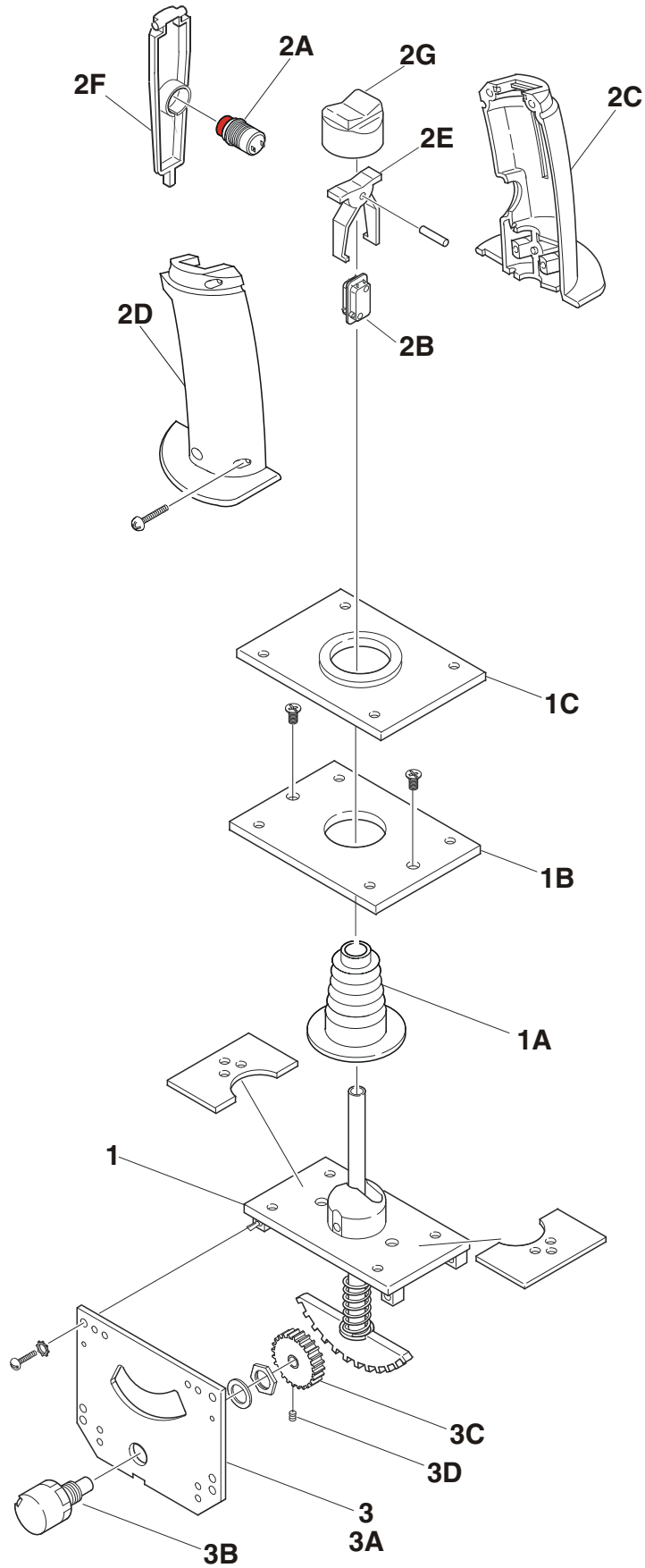
ITEM #	PART NUMBER	QTY.	DESCRIPTION	REV.
20		A/R	Toggle Switch Options:	
	4360482	1	Machines without Leveling Jacks	
	4360482	1	Machines with Leveling Jacks	
	4360482	1	Machines with Auto Level Leveling Jacks	
21	4420008	38in/1m	Tape, Insulation	
22	4460470	1	Nut, Terminal	
23	4460471	1	Lockwasher, Terminal	
24	4460480	1	Connector, Terminal	
25	4740120	12	Washer, Nylon	
26	4760600	4	Lockwasher #6	
27	4791400	4	Starwasher 1/4"	
28	4845938	1	Bracket, Box Mounting	
29	4846249	1	Lid, Box	
30		1	Platform Console Box Harness Options (Not Shown - See Section 7 for Breakdown):	
	4922391	1	Diesel without Leveling Jacks	
	4922437	1	Diesel with Leveling Jacks	
	4922437	1	Diesel with Auto Level Leveling Jacks	
31	4360483	1	Switch, Toggle	
32	3340895	1	Pad, Spacer (Prior to SN 115598 Only)	
33		A/R	Components Options (S/N 112399 to Present Only)	
	3520193	1	Plug	
	2920026	1	Lamp, Indicator	
	2920029	1	Bulb, Light	
34	1704574	1	Decal - Outrigger Select (Machines with Leveling Jacks)	
	1704574	1	Decal - Outrigger Select (Machines with Auto Level Leveling Jacks)	

**FIGURE 4-3. CONSOLE BOX ASSEMBLY (CONTINUED)**

ITEM #	PART NUMBER	QTY.	DESCRIPTION	REV.

# SECTION 4 PLATFORM

FIGURE 4-4. DRIVE/STEER CONTROLLER ASSEMBLY (PRIOR TO S/N 142023)



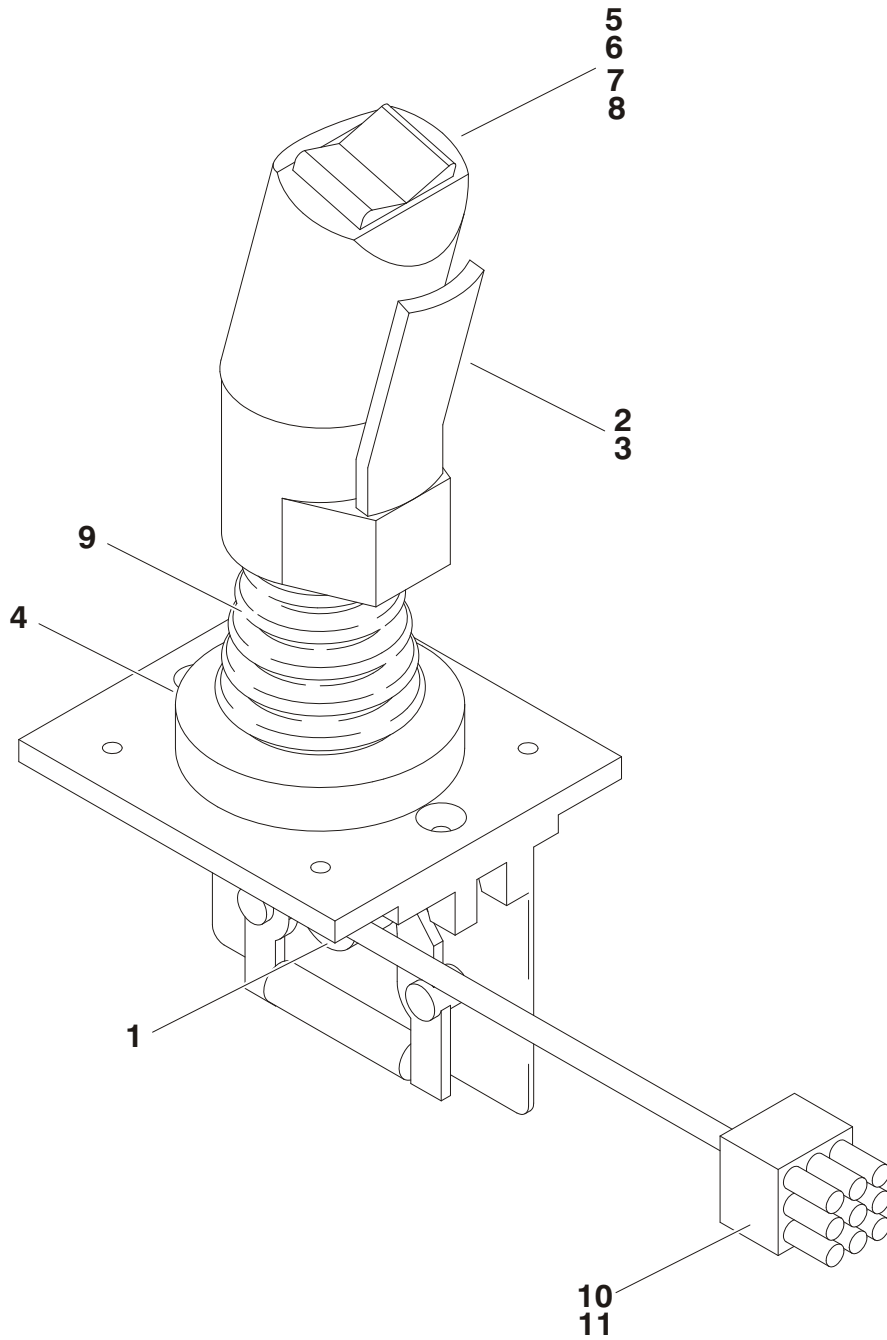
## SECTION 4 PLATFORM

**FIGURE 4-4. DRIVE/STEER CONTROLLER ASSEMBLY (PRIOR TO S/N 142023)**

ITEM #	PART NUMBER	QTY.	DESCRIPTION	REV.
	1600308	Ref.	<b>CONTROLLER ASSEMBLY</b> <b>Note: If your machine was equipped with a 1600308 P/Q controller when ordering a replacement controller you must order a 1600308 P/Q controller. You can not replace the 1600308 P/Q controller with the 1600403 J.R Merritt controller.</b>	D
	7020527	1	Mechanical Assembly	
1	7020503	1	Handle/Housing Assembly	
1A	7020520	1	Boot	
1B	7020504	1	Plate, Mounting	
1C	7020502	1	Gasket	
2	7020529	1	Grip Assembly	
2A	7020501	1	Push Button	
	7020530	1	Push Button w/Wires	
2B	7020500	1	Switch, Micro	
2C	7020531	1	Grip - Right Half	
2D	7020532	1	Grip - Left Half	
2E	7003791	1	Actuator, Switch	
2F	7011997	1	Trigger	
2G	7003790	1	Cap, Rubber	
3	7020533	1	Electrical Assembly	
	7020535	2	Resistor	
3A	7020509	1	Plate, Mounting - Potentiometer	
3B	7020534	1	Potentiometer	
3C	7011940	1	Gear, Pinion	
3D	7020511	1	Setscrew #6-32 x 1/8"	
	4460265	1	Plug, Male - 9 Pin (Not Shown)	
	4460268	8	Socket, Female (Not Shown)	
	4460266	1	Connector, Receptacle - 9 Pin (Not Shown - Part of Console Harness)	
	4460267	8	Pin, Male (Not Shown - Part of Console Harness)	

# SECTION 4 PLATFORM

FIGURE 4-5. DRIVE/STEER CONTROLLER ASSEMBLY (S/N 142023 TO PRESENT)



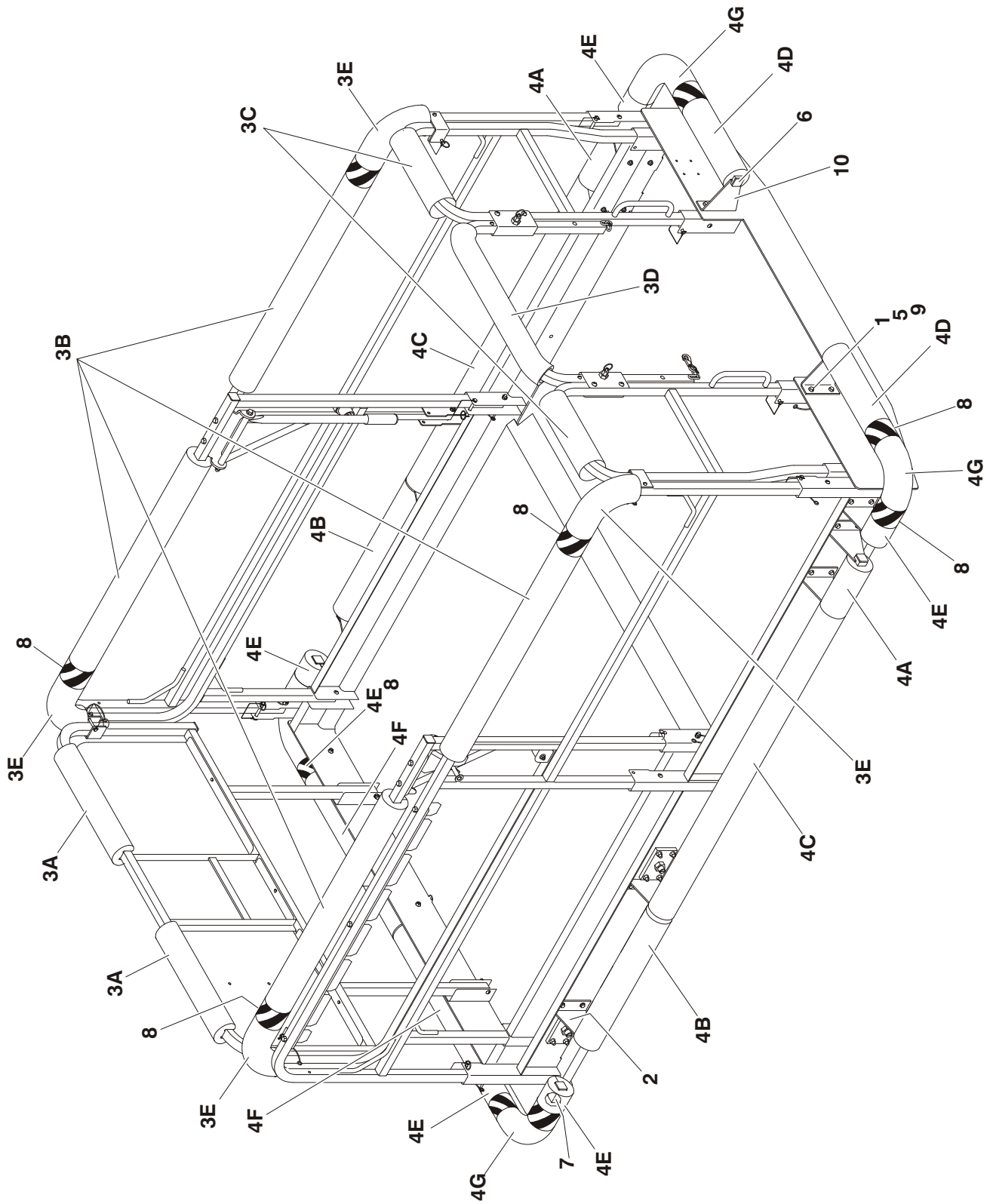
## SECTION 4 PLATFORM

**FIGURE 4-5. DRIVE/STEER CONTROLLER ASSEMBLY (S/N 142023 TO PRESENT)**

ITEM #	PART NUMBER	QTY.	DESCRIPTION	REV.
	1600403	Ref.	<b>CONTROLLER ASSEMBLY</b> <b>Note: If your machine was equipped with a 1600403 J.R. Merritt controller when ordering a replacement controller you must order a 1600403 J.R. Merritt controller. You can not replace the 1600403 J.R. Merritt controller with the 1600308 P/Q controller.</b>	F
1	70000081	1	Potentiometer	
2	7027367	1	Switch, Push Button	
3	7027765	1	Lever, Enabler	
4	7027766	1	Ring, Retaining	
5	70000082	1	Microswitch	
6	70000083	1	Coupler, Microswitch	
7	70000084	1	Cap, Rubber	
8	7027365	1	Actuator, Switch	
9	70000085	1	Boot, Rubber	
10	4460265	1	Plug, Male - 9 Pin	
11	4460226	8	Socket, Female	
12	70000685	A/R	Washer, Plastic (Not Shown)	
13	70000684	A/R	Screw, Handle (Not Shown)	
14	Not Available	A/R	Nut, Handle (Not Shown)	
15	70000683	A/R	Washer, Neoprene (Not Shown)	
16	70000686	A/R	Screw, Handle (Not Shown)	
17	4460266	1	Connector, Receptacle - 9 Pin (Not Shown - Part of Console Harness)	
18	4460267	8	Pin, Male (Not Shown - Part of Console Harness)	

# SECTION 4 PLATFORM

FIGURE 4-6. PLATFORM RAIL PADDING/DECK BUMPERS INSTALLATION





## SECTION 4 PLATFORM

**FIGURE 4-6. PLATFORM RAIL PADDING/DECK BUMPERS INSTALLATION**

ITEM #	PART NUMBER	QTY.	DESCRIPTION	REV.
	0275049	Ref.	<b>RAIL PADDING &amp; DECK BUMPERS INSTALLATION</b>	B
1	0641406	30	Bolt 1/4"-20NC x 3/4"	
2	0903421	2	Weldment, Deck Side Bumper	
3	0940178	1	Kit Rail Bumper Pad	B
3A	0940149	2	Bumper Pad (2 x 17.25in/44cm)	
3B	0940094	4	Bumper Pad (4 x 38in/96.5cm)	
3C	0940094	2	Bumper Pad (2 x 12in/30cm)	
3D	0940094	1	Bumper Pad (1 x 19in/48cm)	
3E	0940092	4	Bumper Pad Corner 90°	
4	0940180	1	Kit Deck Bumper Pad	A
4A	0940094	2	Bumper Pad (7.810in/19.8cm)	
4B	0940094	2	Bumper Pad (21.688in/55.1cm)	
4C	0940094	2	Bumper Pad (51.5in/130.8cm)	
4D	0940094	2	Bumper Pad (14.5in/36.8cm)	
4E	0940094	6	Bumper Pad (3in/7.6cm)	
4F	0940094	2	Bumper Pad (26in/66cm)	
4G	0940092	4	Bumper Pad Corner 90°	
5	3311405	30	Locknut 1/4"-20NC	
6	3520072	10	Plug, Cap	
7	4341135	1	Weldment, Extension Bumper	
8	4420068	A/R	Tape, Safety	
9	4711400	60	Flatwasher 1/4" (Narrow)	
10	4846271	2	Weldment, Rear Deck Corner Bumper	

## SECTION 4 PLATFORM

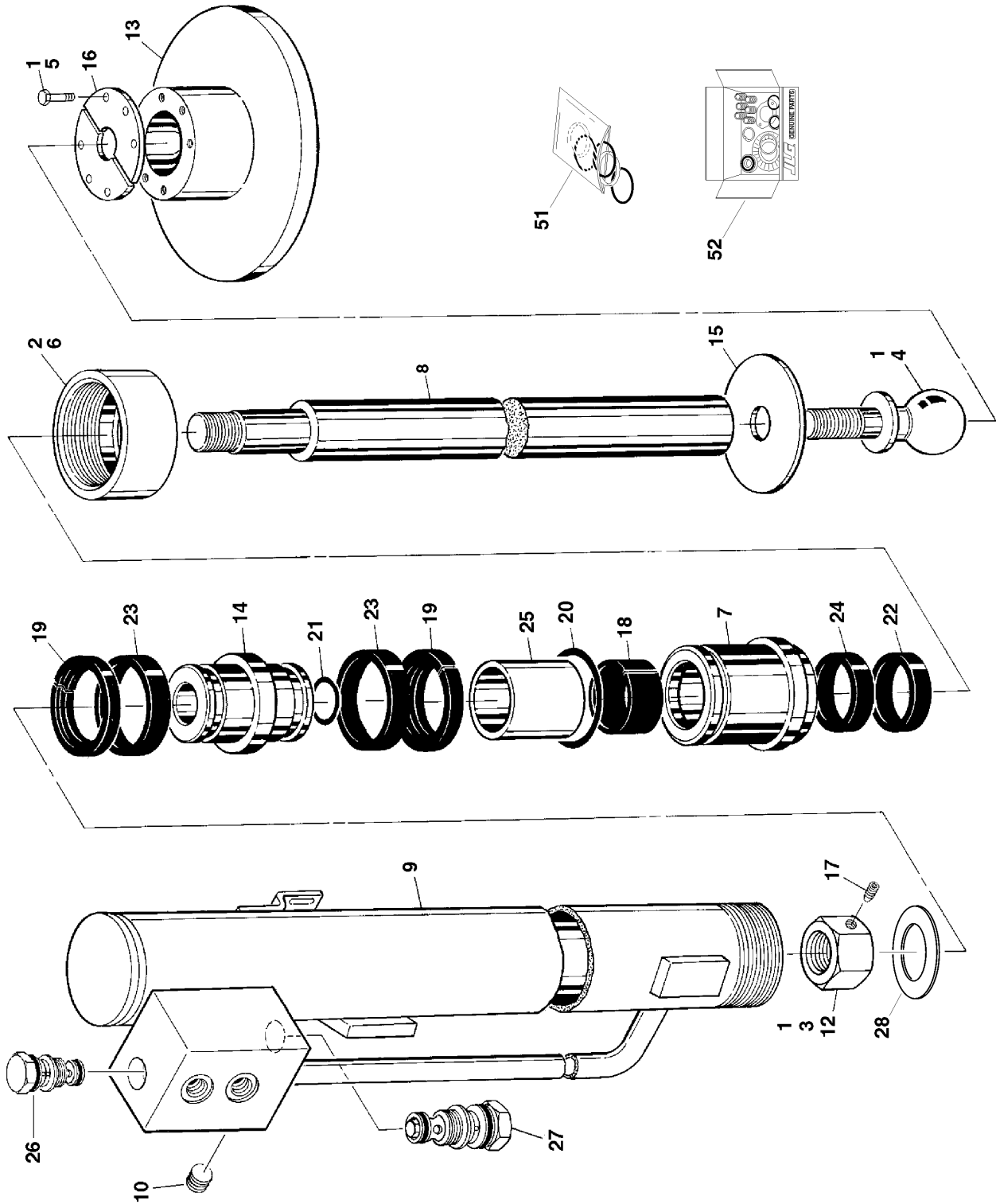
**FIGURE 4-6. PLATFORM RAIL PADDING/DECK BUMPERS INSTALLATION (CONTINUED)**

ITEM #	PART NUMBER	QTY.	DESCRIPTION	REV.

# **SECTION 5 CYLINDER**

# SECTION 5 CYLINDER

FIGURE 5-1. LEVELING JACKS CYLINDER ASSEMBLY (PRIOR TO S/N 105371)



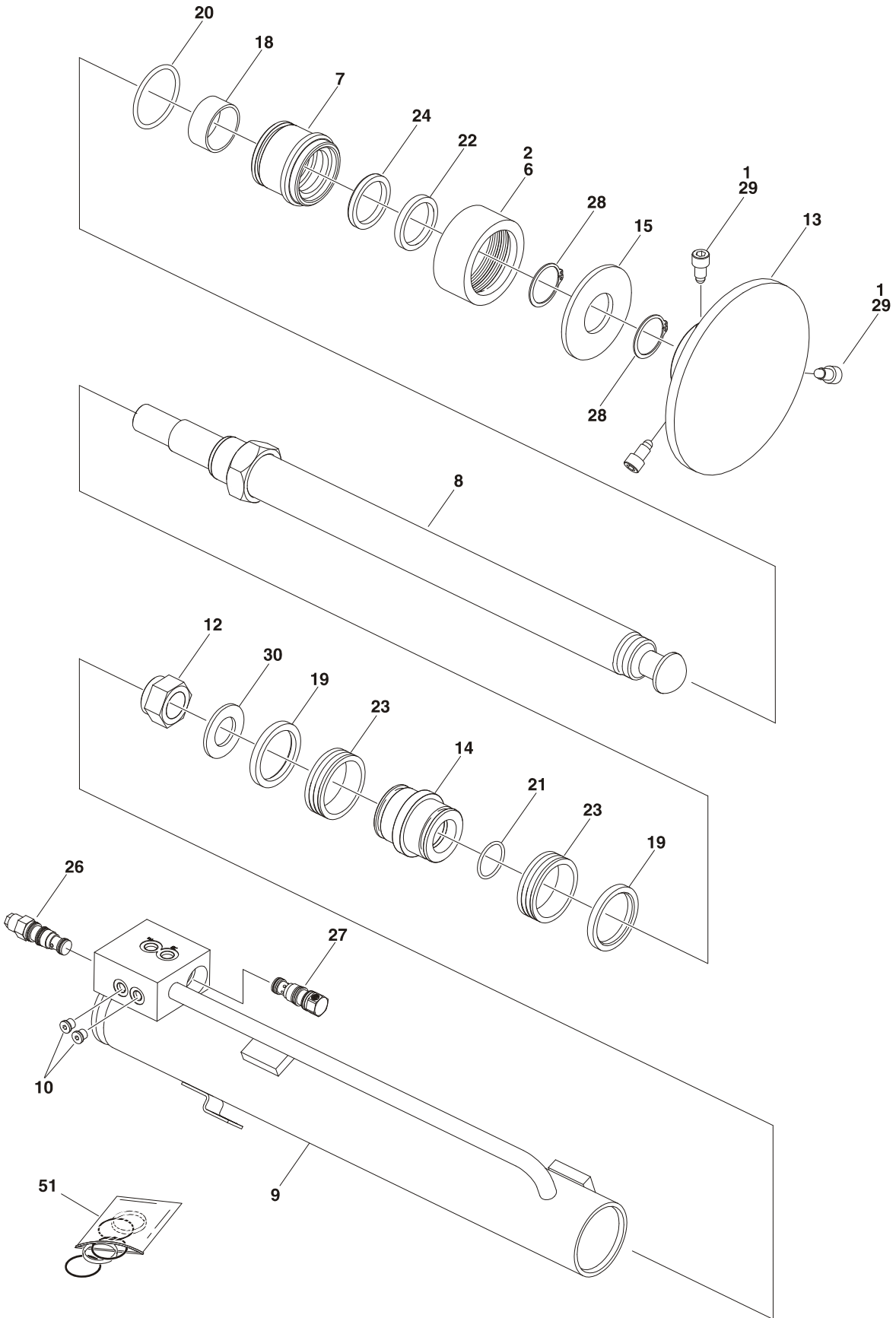
## SECTION 5 CYLINDER

**FIGURE 5-1. LEVELING JACKS CYLINDER ASSEMBLY (PRIOR TO S/N 105371)**

ITEM #	PART NUMBER	QTY.	DESCRIPTION	REV.
	1683966	Ref.	<b>LEVELING JACK CYLINDER ASSEMBLY (PRIOR TO S/N 105371)</b>	G
1	0100011	A/R	Loctite #242	
2	0100035	A/R	Loctite #222	
3	0100038	A/R	Primer #7471	
4	0320015	1	Ball, Trailer	
5		6	Bolt Options: Bolt 5/16"-18NC x 3/4" Grade 8 (Prior to S/N 91549) Bolt 3/8"-16NC x 3/4" Grade 8 (S/N 91549 to S/N 105371)	
6	0681506			
6	0681606			
6	1120108	1	Cap	
7	1681283	1	Head	
8	1682723	1	Rod	
9	1683967	1	Barrel	
10	2220883	2	Plug	
11	Not Used			
12	3300281	1	Nut	
13		1	Pad, Jack Options: Prior to S/N 91549 (Was p/n 3340650) S/N 91549 to S/N 105371 (Was p/n 3340904)	
	Use 2902023			
	Use 2902023			
14	3480092	1	Piston	
15	3536708	1	Plate	
16		1	Ring, Retainer Options: Prior to S/N 91549 S/N 91549 to S/N 105371	
	3760261			
	3760453			
17	3900170	1	Screw, Locking	
18	Use Item 51	1	Ring, Wear	
19	Use Item 51	2	Guidelock	
20	Use Item 51	1	O-Ring	
21	Use Item 51	1	O-Ring	
22	Use Item 51	1	Seal, Wiper	
23	Use Item 51	2	Polyseal	
24	Use Item 51	1	Hydrolock	
25	4565647	1	Tube, Spacer	
26	4640495	1	Valve, Counter Balance	
	2900770	1	Seal Kit - 4640495 Valve	
27	4641156	1	Valve, Check	
	2900770	1	Seal Kit - 4641156 Valve	
28	4713000	1	Flatwasher 1 1/4" Narrow	
29 to 50	Not Used			
51	2901941	1	Seal Kit - 1683966 Cylinders (Includes Items 18-24)	
52	2902023	1	Pad Replacement Kit - 1683966 Cylinder Only (Includes Items 5,13 & 16)	

# SECTION 5 CYLINDER

FIGURE 5-2. LEVELING JACKS CYLINDER ASSEMBLY (S/N 105371 TO S/N 141689)



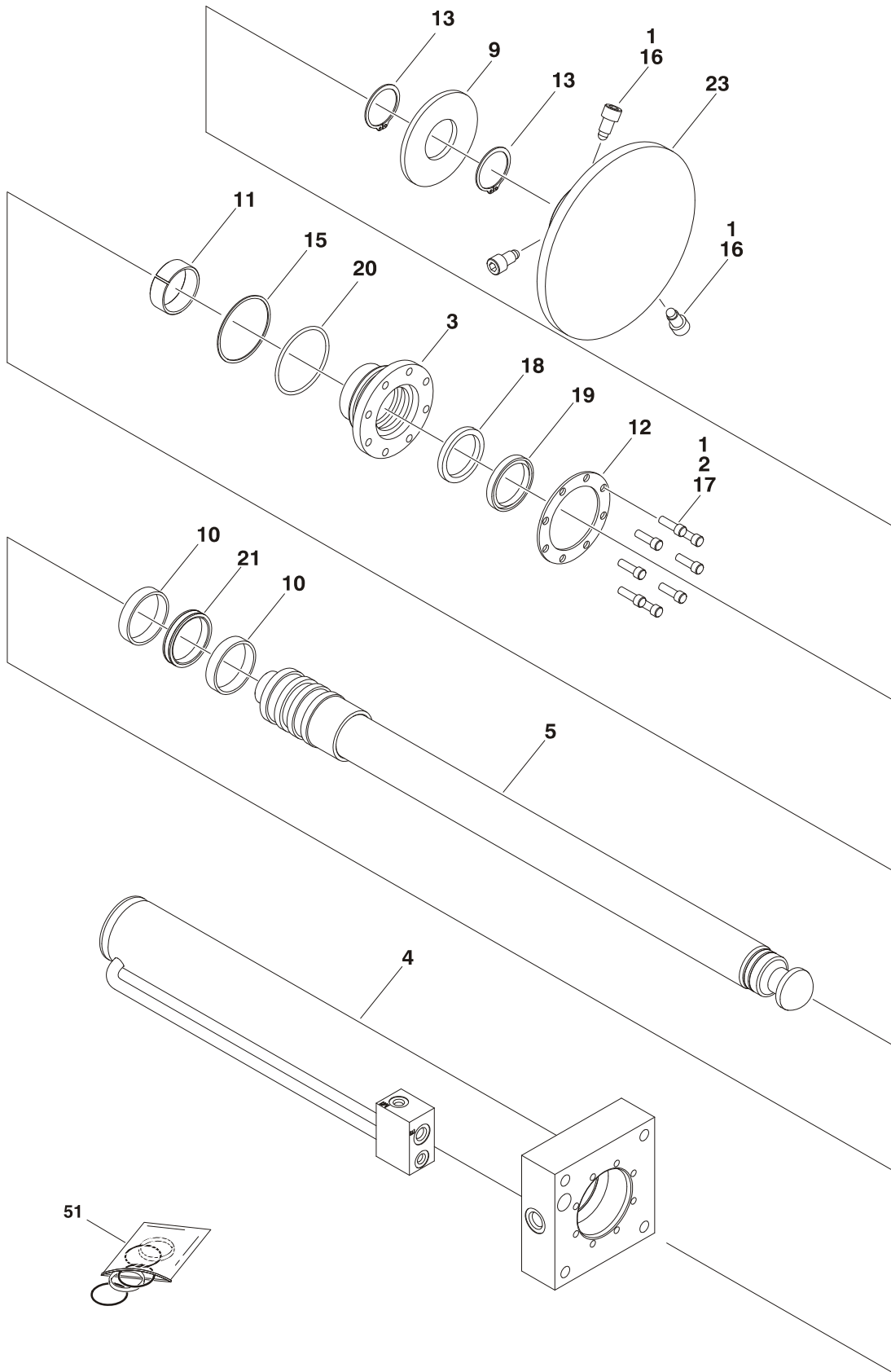
## SECTION 5 CYLINDER

**FIGURE 5-2. LEVELING JACKS CYLINDER ASSEMBLY (S/N 105371 TO S/N 141689)**

ITEM #	PART NUMBER	QTY.	DESCRIPTION	REV.
	1684217	Ref.	<b>LEVELING JACK CYLINDER ASSEMBLY (S/N 104829 TO S/N 141689)</b>	B
1	0100011	A/R	Loctite #242	
2	0100035	A/R	Loctite #222	
3 to 5	Not Used			
6	1120108	1	Cap	
7	1681283	1	Head	
8	1684206	1	Rod	
9	1683967	1	Barrel	
10	2220883	2	Plug	
11	Not Used			
12	3300465	1	Nut	
13	4846584	1	Pad, Jack	
14	3480092	1	Piston	
15	3573513	1	Plate	
16 to 17	Not Used			
18	Use Item 51	1	Ring, Wear	
19	Use Item 51	2	Guidelock	
20	Use Item 51	1	O-Ring	
21	Use Item 51	1	O-Ring	
22	Use Item 51	1	Seal, Wiper	
23	Use Item 51	2	Polyseal	
24	Use Item 51	1	Hydrolock	
25	Not Used			
26	4640495	1	Valve, Counter Balance	
	2900770	1	Seal Kit - 4640495 Valve	
27	4641156	1	Valve, Check	
	2900770	1	Seal Kit - 4641156 Valve	
28	3760460	2	Ring, Retaining	
29	3900321	3	Screw 1/2"-13NC x 1 1/4"	
30	4713000	1	Flatwasher 1 1/4" Narrow	
31 to 50	Not Used			
51	2901941	1	----- Seal Kit - 1684217 Cylinders (Includes Items 18-24)	

# SECTION 5 CYLINDER

FIGURE 5-3. LEVELING JACKS CYLINDER ASSEMBLY (AUTO LEVEL) (AUSTRALIAN SPEC S/N 128985 TO PRESENT & CE SPEC 141689 TO PRESENT)





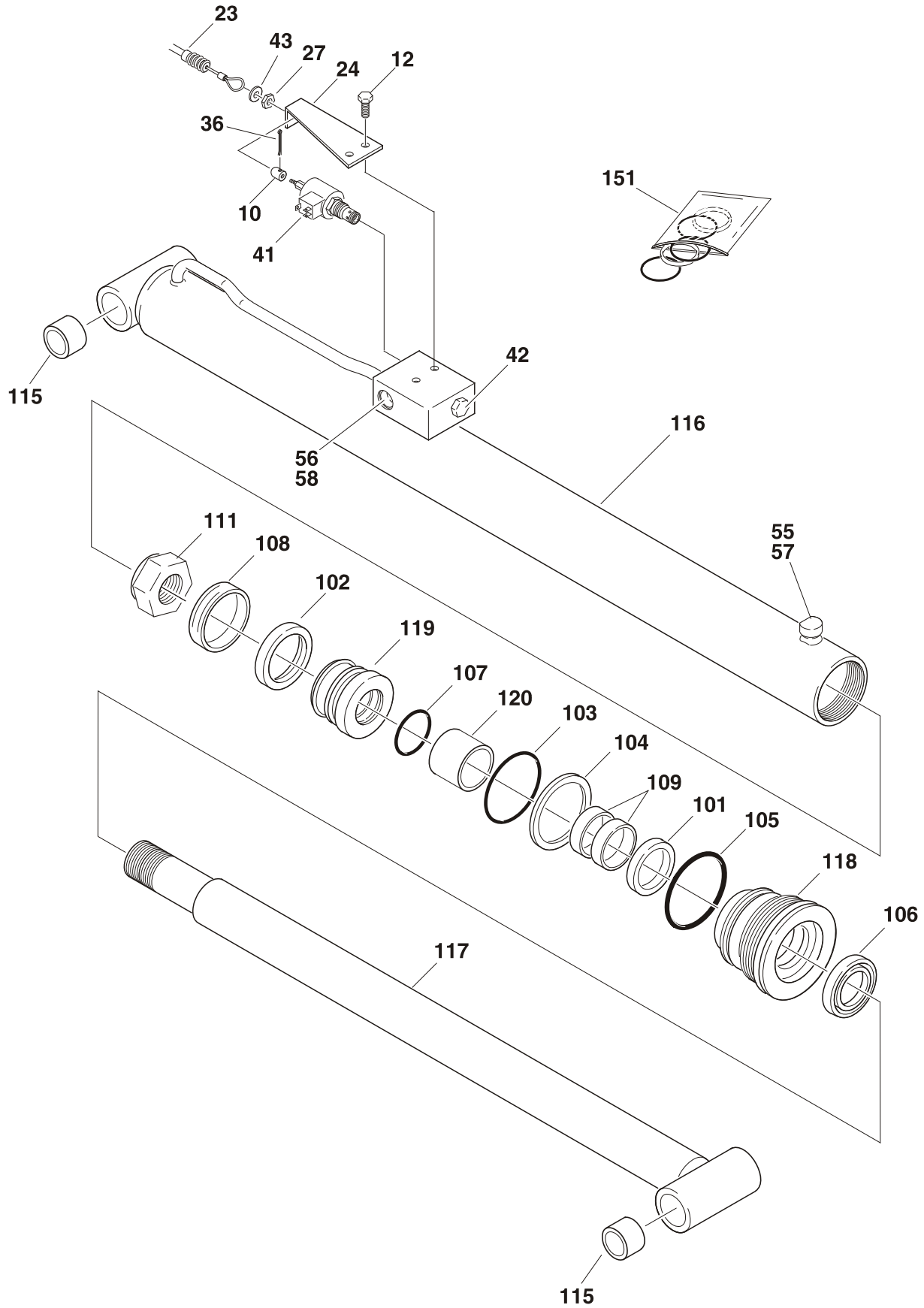
## SECTION 5 CYLINDER

**FIGURE 5-3. LEVELING JACKS CYLINDER ASSEMBLY (AUTO LEVEL) (AUSTRALIAN SPEC S/N 128985 TO PRESENT & CE SPEC 141689 TO PRESENT)**

ITEM #	PART NUMBER	QTY.	DESCRIPTION	REV.
	1684220	Ref.	<b>LEVELING JACK CYLINDER ASSEMBLY (AUTO LEVEL)</b>	D
1	0100011	A/R	Loctite #242	
2	0100038	A/R	Primer #7471	
3	1683054	1	Head	
4	1684221	1	Barrel	
5	1684223	1	Rod	
6 to 8	Not Used			
9	3573513	1	Plate	
10	Use Item 51	2	Ring, Wear	
11	Use Item 51	1	Ring, Wear	
12	3760368	1	Ring, Washer	
13	3760460	2	Ring, Retaining	
14	Not Used			
15	Use Item 51	1	O-Ring	
16	3900321	3	Screw 1/2"-13NC x 1 1/4"	
17	3931516	8	Screw 5/16"-18NC x 1"	
18	Use Item 51	1	Polyseal	
19	Use Item 51	1	Seal, Wiper	
20	3960200		Ring, Back-up	
21	3960483	1	Seal	
22	Not Used			
23	4846584	1	Pad, Jack	
24 to 50	Not Used			
51	2902182	1	----- Seal Kit - 1684217 Cylinders (Includes Items 10, 11, 15, 18 - 21)	

# SECTION 5 CYLINDER

## FIGURE 5-4. LIFT CYLINDER COMPONENTS ASSEMBLY



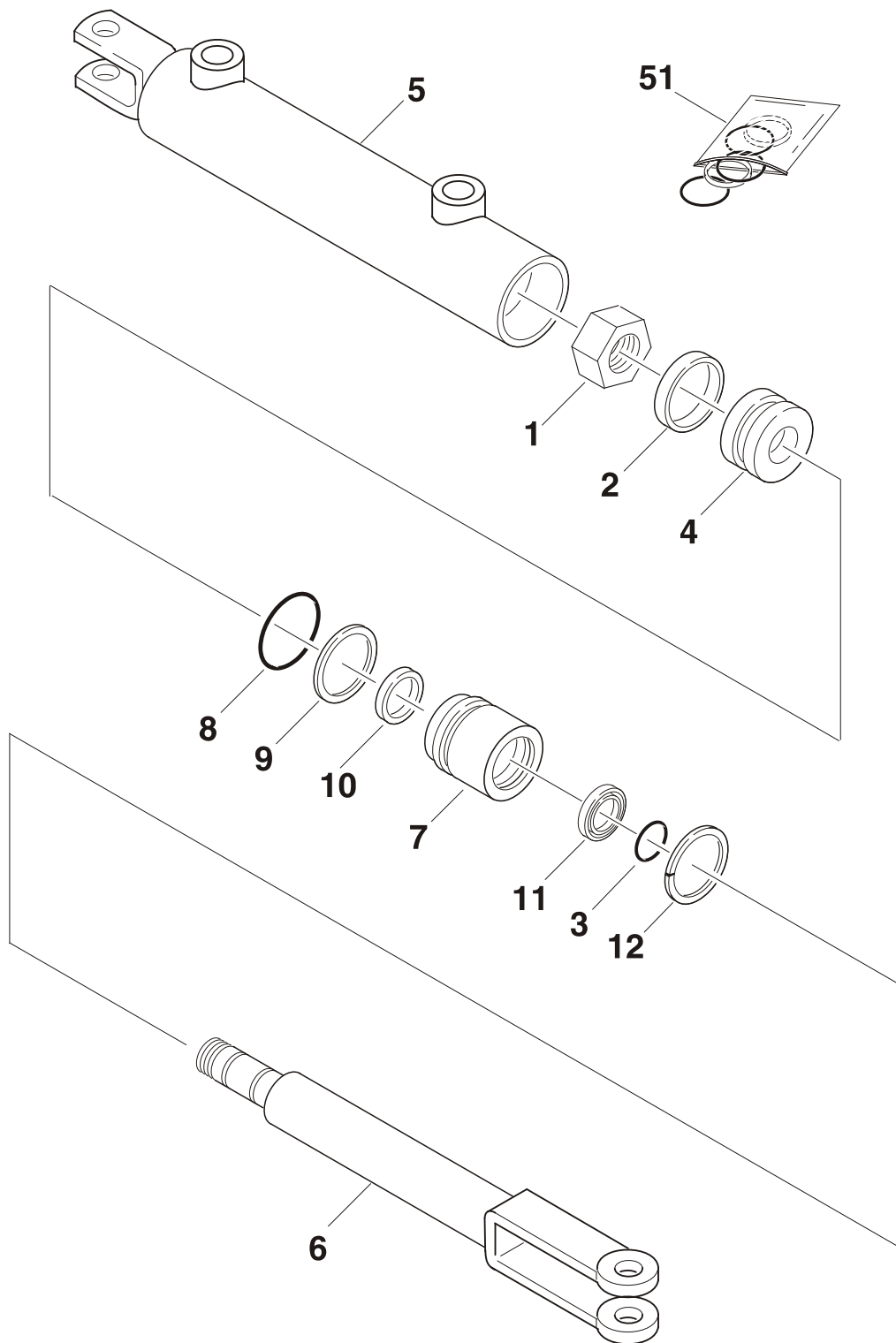
## SECTION 5 CYLINDER

**FIGURE 5-4. LIFT CYLINDER COMPONENTS ASSEMBLY**

ITEM #	PART NUMBER	QTY.	DESCRIPTION	REV.
		Ref.	<b>LIFT CYLINDER SUB-ASSEMBLY</b>	
	0259865	Ref.	<b>Prior to S/N 112688 (Without LSS Harness)</b>	J
	0273069	Ref.	<b>S/N 112688 to Present (Without LSS Harness)</b>	B
	1001110710	Ref.	<b>S/N 0200193881 to Present (With LSS Harness)</b>	A
1 to 9	Not Used			
10	0080228	1	Adaptor, Cable	
11	Not Used			
12	0641506	2	Bolt 5/16"-18NC x 3/4"	
13 to 22	Not Used			
23	1060818	1	Cable, Manual Descent	
24	0902421	1	Bracket, Cable Mounting	
25 to 26	Not Used			
27	3321402	2	Jamnut 1/4"-28NF	
28 to 35	Not Used			
36	3450405	1	Pin, Cotter	
37 to 40	Not Used			
41	4641172	1	Valve, Solenoid	
42	4641104	1	Valve, Restrictor/Check	
43	4711400	2	Flatwasher 1/4" (Narrow)	
44 to 54	Not Used			
55	2220371	1	Fitting	
56	2220473	1	Fitting	
57	2752622	1	Hose 3/8" (168" Long)	
58	2753398	1	Hose 3/8" (134" Long)	
	1683887	Ref.	<b>LIFT CYLINDER ASSEMBLY</b>	B
101	Use Item 151	1	Seal	
102	Use Item 151	1	Seal	
103	Use Item 151	1	O-Ring	
104	Use Item 151	1	Back-Up	
105	Use Item 151	1	O-Ring	
106	Use Item 151	1	Wiper	
107	Use Item 151	1	O-Ring	
108	Use Item 151	1	Ring, Wear	
109	Use Item 151	2	Ring, Wear	
110	Not Used			
111	7003226	1	Locknut	
112 to 114	Not Required			
115	0962012	4	Bushing	
116	7019882	1	Barrel	
117	7019881	1	Rod	
118	7017387	1	Head	
119	7019880	1	Piston	
120	7019879	1	Spacer	
121 to 150	Not Used			
151	7019878	1	----- Seal Kit (Includes Items 101 to 109)	

# SECTION 5 CYLINDER

## FIGURE 5-5. STEER CYLINDER ASSEMBLY



# SECTION 5 CYLINDER

**FIGURE 5-5. STEER CYLINDER ASSEMBLY**

ITEM #	PART NUMBER	QTY.	DESCRIPTION	REV.
	1683957	Ref.	<b>STEER CYLINDER ASSEMBLY</b>	B
1	7001626	1	Locknut 7/8"-14NC	
2	Use Item 51	1	Seal	
3	Use Item 51	1	O-Ring	
4	7017291	1	Piston	
5	7023005	1	Barrel	
6	7023006	1	Rod	
7	7017294	1	Guide	
8	Use Item 51	1	O-Ring	
9	Use Item 51	1	Back-Up	
10	Use Item 51	1	Ring, Wear	
11	Use Item 51	1	Wiper	
12	Use Item 51	1	Ring, Retaining	
13 to 50	Not Used			
51	7017290	1	----- Seal Kit (Includes Items 102,103 & 108 to 112)	

# SECTION 5 CYLINDER

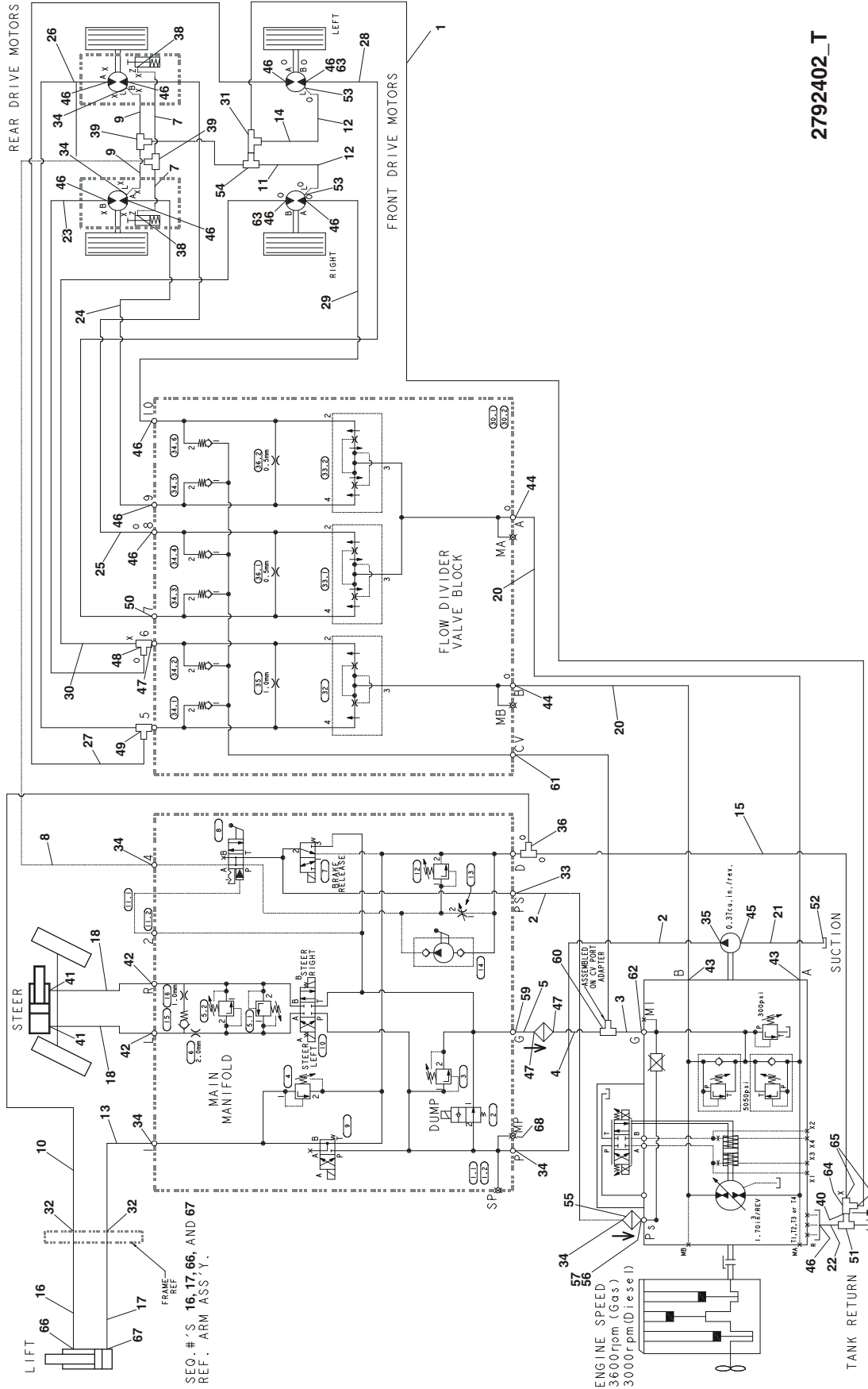
## FIGURE 5-5. STEER CYLINDER ASSEMBLY (CONTINUED)

ITEM #	PART NUMBER	QTY.	DESCRIPTION	REV.

# **SECTION 6 HYDRAULIC**

# SECTION 6 HYDRAULIC

**FIGURE 6-1. DRIVE HYDRAULIC DIAGRAM (STANDARD) (PRIOR TO S/N 141689)**



2792402\_T



## SECTION 6 HYDRAULIC

**FIGURE 6-1. DRIVE HYDRAULIC DIAGRAM (STANDARD) (PRIOR TO S/N 141689)**

ITEM #	PART NUMBER	QTY.	DESCRIPTION	REV.
	2792402	Ref.	<b>HYDRAULIC DIAGRAM</b>	T
1	2752478	1	Hose	
2	2752613	A/R	Hose	
3		1	Hose Options:	
	2753384		Prior to S/N 80571	
	2753503		S/N 80571 to S/N 141689	
4		1	Hose Options:	
	2753385		Prior to S/N 80571	
	2753504		S/N 80571 to S/N 141689	
5		1	Hose Options:	
	2753386		Prior to S/N 80571	
	2753505		S/N 80571 to S/N 141689	
6	2753387	1	Hose (Prior to S/N 111085 Only)	
7	2753388	2	Hose	
8	2752489	1	Hose	
9	2753389	2	Hose	
10	2752469	1	Hose	
11	2753394	1	Hose	
12	2753395	2	Hose	
13	2753396	1	Hose	
14	Not Used			
15	2753397	1	Hose	
16	2752622	A/R	Hose	
17	2753398	A/R	Hose	
18	2753390	2	Hose	
19	2753391	1	Hose (Prior to S/N 111085 Only)	
20	2753392	A/R	Hose	
21	2753393	1	Hose	
22	2753375	1	Hose	
23	2753376	1	Hose	
24	2753377	1	Hose	
25	2753378	1	Hose	
26	2753379	1	Hose	
27	2753380	1	Hose	
28	2753381	1	Hose	
29	2753382	1	Hose	
30	2753383	1	Hose	
31		1	Fitting Options:	
	2220827		Prior to S/N 93075	
	2220635		S/N 93075 to S/N 93359	
	2220490		S/N 93359 to S/N 141689	
32	2230024	2	Fitting, Straight	
33	2220603	2	Fitting, Straight	
34	2220371	A/R	Fitting, Straight	
35	2220372	1	Fitting, Straight	
36	2220899	1	Fitting, Tee	
37	2221048	2	Fitting, 90° (Prior to S/N 80571)	

## SECTION 6 HYDRAULIC

**FIGURE 6-1. DRIVE HYDRAULIC DIAGRAM (STANDARD) (PRIOR TO S/N 141689)  
(CONTINUED)**

ITEM #	PART NUMBER	QTY.	DESCRIPTION	REV.
38	2220473	A/R	Fitting, 90°	
39	2220490	2	Fitting, Tee	
40		1	Fitting, Reducer	
	2220621		Prior to S/N 93075	
	2220622		S/N 93075 to S/N 141689	
41	2220472	2	Fitting, 90°	
42	2220415	2	Fitting, Straight	
43	2220578	2	Fitting, 90°	
44	2220451	2	Fitting, Straight	
45	2221025	1	Fitting, Straight	
46	2220947	A/R	Fitting, Straight	
47	2220906	3	Fitting, 90°	
48	2220948	1	Fitting, Tee	
49	2221049	1	Fitting, Tee	
50	2221036	1	Fitting, 90°	
51	2220738	1	Fitting, Tee	
52	2220377	1	Fitting, Straight	
53	2220998	2	Fitting, Straight	
54		1	Fitting, Tee Options:	
	2220579		Prior to S/N 111085	
	2220635		S/N 111085 to S/N 141689	
55	2120172	1	Filter, In-Line	
56	2220501	1	Fitting, 45°	
57	2220919	1	Fitting, Straight	
58		A/R	Fitting, Straight Options:	
	2220947	8	Prior to S/N 78291	
	2220865	8	S/N 78291 to S/N 111085	
	Not Required	0	S/N 111085 to S/N 141689	
59	2220600	1	Fitting, Straight (S/N 80571 to S/N 141689)	
60	2221076	1	Fitting, Tee (S/N 80571 to S/N 141689)	
61	2221075	1	Fitting, Straight (S/N 80571 to S/N 141689)	
62	2220852	1	Fitting, Straight (S/N 80571 to S/N 141689)	
63	0100075	A/R	Loctite #545 (Not Shown)	
64	2220385	1	Fitting, Swivel (S/N 93075 to S/N 141689)	
65	2220619	2	Fitting, Reducer (S/N 93075 to S/N 141689)	
66	2220371	A/R	Fitting, Straight (S/N 105000 to S/N 141689)	
67	2220473	A/R	Fitting, 90° (S/N 105000 to S/N 141689)	
68	2221086	1	Fitting, Diagnostic Test Port Coupling	

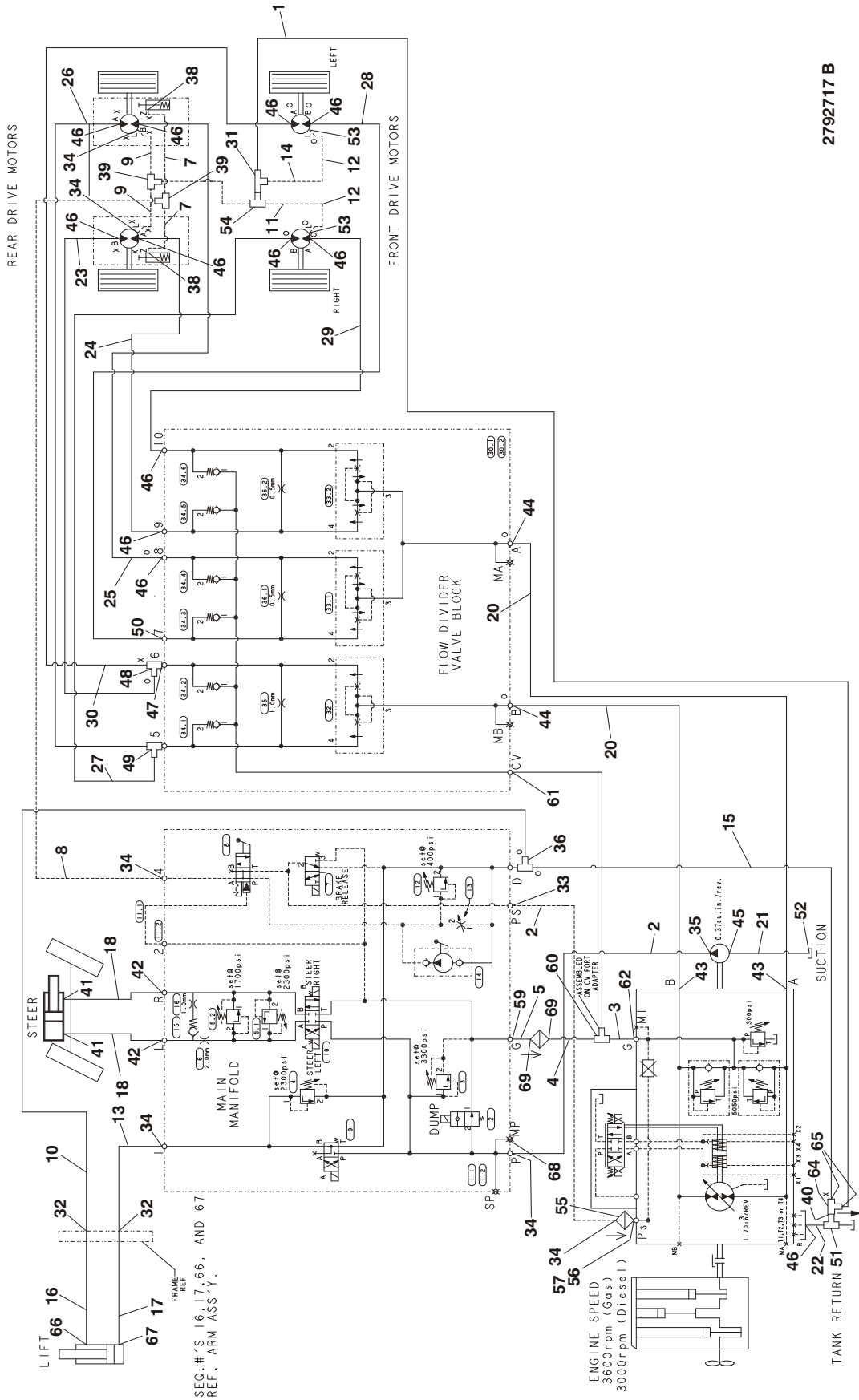
**SECTION 6 HYDRAULIC**

**FIGURE 6-1. DRIVE HYDRAULIC DIAGRAM (STANDARD) (PRIOR TO S/N 141689)  
(CONTINUED)**

ITEM #	PART NUMBER	QTY.	DESCRIPTION	REV.

# SECTION 6 HYDRAULIC

FIGURE 6-2. DRIVE HYDRAULIC DIAGRAM (STANDARD) (S/N 141689 TO PRESENT)



## SECTION 6 HYDRAULIC

**FIGURE 6-2. DRIVE HYDRAULIC DIAGRAM (STANDARD) (S/N 141689 TO PRESENT)**

ITEM #	PART NUMBER	QTY.	DESCRIPTION	REV.
	2792717	Ref.	<b>HYDRAULIC DIAGRAM</b>	B
1	2752478	1	Hose	
2	2752613	A/R	Hose	
3	2753503	1	Hose	
4	2753504	1	Hose	
5	2753505	1	Hose	
6	Not Used			
7	2753388	2	Hose	
8	2752489	1	Hose	
9	2753389	2	Hose	
10	2752469	1	Hose	
11	2753394	1	Hose	
12	2753395	2	Hose	
13	2753396	1	Hose	
14	Not Used			
15	2753397	1	Hose	
16	2752622	A/R	Hose	
17	2753398	A/R	Hose	
18	2753390	2	Hose	
19	Not Used			
20	2753392	A/R	Hose	
21	2753393	1	Hose	
22	2753375	1	Hose	
23	2753376	1	Hose	
24	2753377	1	Hose	
25	2753378	1	Hose	
26	2753379	1	Hose	
27	2753380	1	Hose <b>(Note: On Machines Prior to S/N 165343, this hose runs to Left Front Drive Motor. On Machines S/N 165343 to Present, this hose runs to Right Front Drive Motor as shown.)</b>	
28	2753381	1	Hose	
29	2753382	1	Hose	
30		1	Hose Options: <b>(Note: On Machines Prior to S/N 165343, this hose runs to Right Front Drive Motor. On Machines S/N 165343 to Present, this hose runs to Left Front Drive Motor as shown.)</b>	
	2753383		68.5in/ Length (Prior to S/N165343)	
	1001093121		72.75in/Length (S/N165343 to Present)	
31	2220490	1	Fitting	
32	2230024	2	Fitting, Straight	
33	2220603	2	Fitting, Straight	
34	2220371	7	Fitting, Straight	
35	2220372	1	Fitting, Straight	
36	2220899	1	Fitting, Tee	
37	Not Used			
38	2220473	2	Fitting, 90°	
39	2220490	2	Fitting, Tee	
40	2220622	1	Fitting, Reducer	

## SECTION 6 HYDRAULIC

**FIGURE 6-2. DRIVE HYDRAULIC DIAGRAM (STANDARD) (S/N 141689 TO PRESENT)  
(CONTINUED)**

ITEM #	PART NUMBER	QTY.	DESCRIPTION	REV.
41	2220472	2	Fitting, 90°	
42	2220415	2	Fitting, Straight	
43	2220578	2	Fitting, 90°	
44	2220451	2	Fitting, Straight	
45	2221025	1	Fitting, Straight	
46	2220947	12	Fitting, Straight	
47	2220906	1	Fitting, 90°	
48	2220948	1	Fitting, Tee	
49	2221049	1	Fitting, Tee	
50	2221036	1	Fitting, 90°	
51	2220738	1	Fitting, Tee	
52	2220377	1	Fitting, Straight	
53	2220998	2	Fitting, Straight	
54	2220635	1	Fitting, Tee	
55	2120172	1	Filter, In-Line	
56	2220501	1	Fitting, 45°	
57	2220919	1	Fitting, Straight	
58	Not Used			
59	2220600	1	Fitting, Straight	
60	2221076	1	Fitting, Tee	
61	2221075	1	Fitting, Straight	
62	2220852	1	Fitting, Straight	
63	0100075	A/R	Loctite #545 (Not Shown)	
64	2220385	1	Fitting, Swivel	
65	2220619	2	Fitting, Reducer	
66	2220371	A/R	Fitting, Straight	
67	2220473	A/R	Fitting, 90°	
68	2221086	1	Fitting, Diagnostic Test Port Coupling	
69	2221042	2	Fitting, 90°	

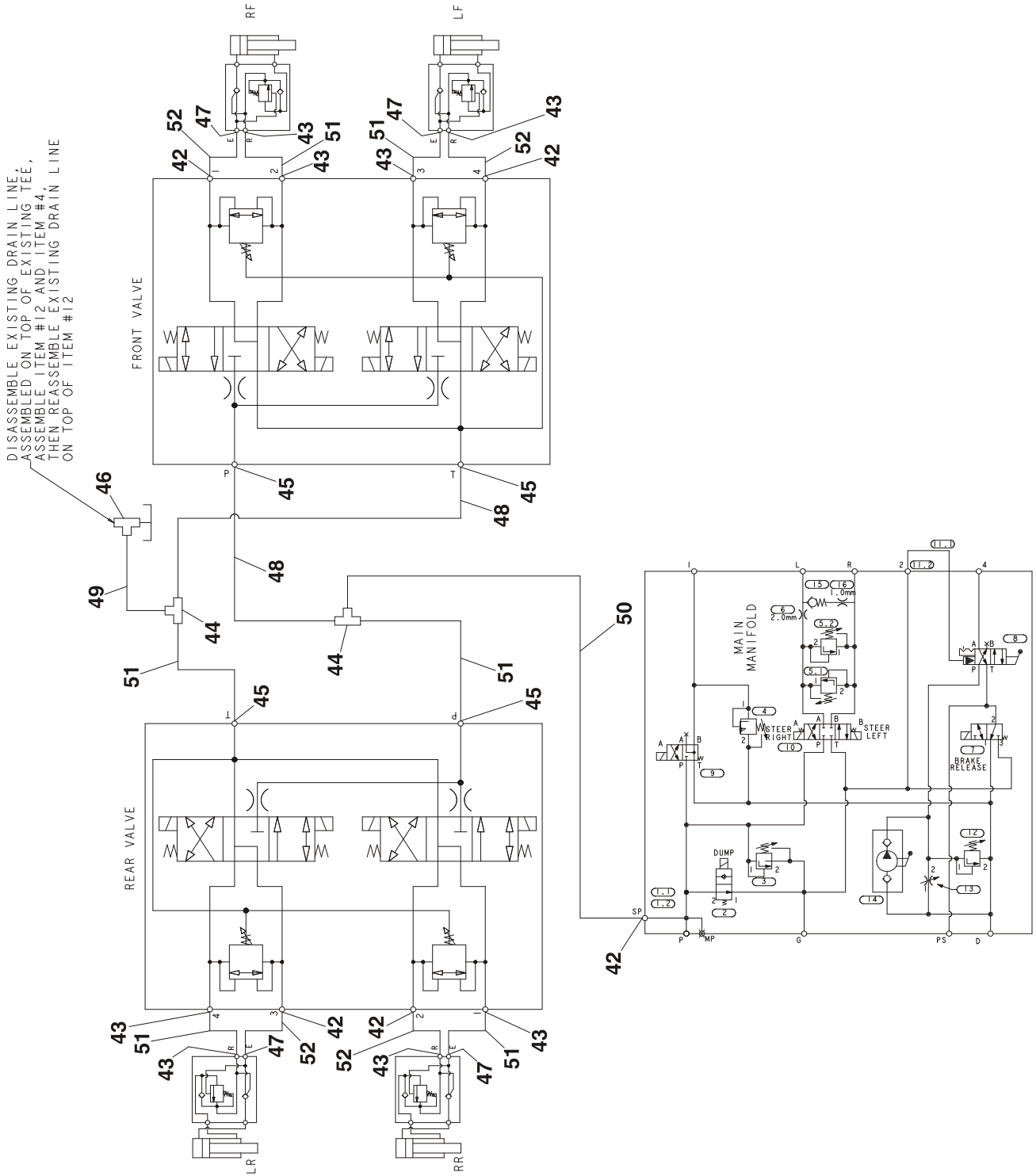
**SECTION 6 HYDRAULIC**

**FIGURE 6-2. DRIVE HYDRAULIC DIAGRAM (STANDARD) (S/N 141689 TO PRESENT)  
(CONTINUED)**

ITEM #	PART NUMBER	QTY.	DESCRIPTION	REV.

# SECTION 6 HYDRAULIC

FIGURE 6-3. DRIVE HYDRAULIC DIAGRAM (LEVELING JACKS) (PRIOR TO S/N 141689)





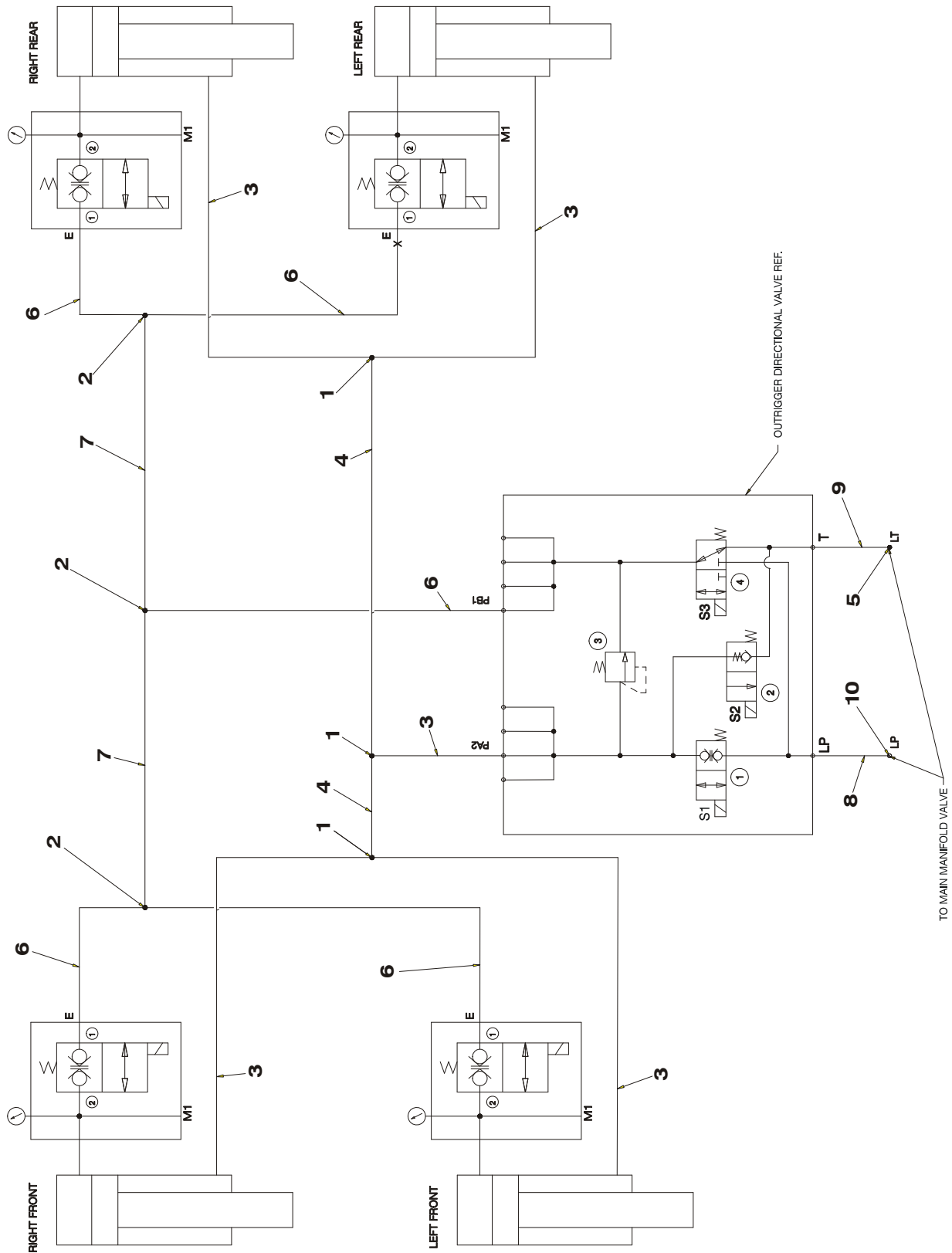
## SECTION 6 HYDRAULIC

**FIGURE 6-3. DRIVE HYDRAULIC DIAGRAM (LEVELING JACKS) (PRIOR TO S/N 141689)**

ITEM #	PART NUMBER	QTY.	DESCRIPTION	REV.
		Ref.	<b>HYDRAULIC DIAGRAM - LEVELING JACKS</b>	
	2792431	Ref.	<b>Prior to S/N 104262</b>	B
	0259757	Ref.	<b>S/N 104262 to S/N 141689</b>	H
1 to 41	Not Used			
42	2220371	1	Fitting	
43	2220473	8	Fitting	
44	2220490	A/R	Hose	
45	2220501	A/R	Fitting, 45°	
46	2220635	A/R	Fitting, Tee	
47	2220819	4	Fitting, 90° (Long)	
48	2752466	A/R	Hose	
49	2752478	A/R	Hose	
50	2752649	A/R	Hose	
51	2752966	2	Hose	
52	2753488	4	Hose	

# SECTION 6 HYDRAULIC

**FIGURE 6-4. DRIVE HYDRAULIC DIAGRAM (AUTO LEVEL LEVELING JACKS)  
(AUSTRALIAN SPEC S/N 128985 TO PRESENT & CE SPEC 141689 TO PRESENT)**



## SECTION 6 HYDRAULIC

**FIGURE 6-4. DRIVE HYDRAULIC DIAGRAM (AUTO LEVEL LEVELING JACKS) (AUSTRALIAN SPEC S/N 128985 TO PRESENT & CE SPEC 141689 TO PRESENT)**

ITEM #	PART NUMBER	QTY.	DESCRIPTION	REV.
	2792686	Ref.	<b>HYDRAULIC DIAGRAM - AUTO LEVEL LEVELING JACKS</b>	A
1	2170508	3	Fitting, Tee	
2	2170506	3	Fitting, Tee	
3	2716538	5	Hose	
4	2753579	2	Hose	
5	2220635	1	Fitting, Tee	
6	2716960	5	Hose	
7	2717235	2	Hose	
8	2753068	A/R	Hose	
9	2753626	1	Hose (Prior to S/N 0200155061 Only)	
10		1	Fitting Options:	
	2130606		Prior to S/N 0200155061	
	2220371		S/N 0200155061 to Present	

# SECTION 6 HYDRAULIC

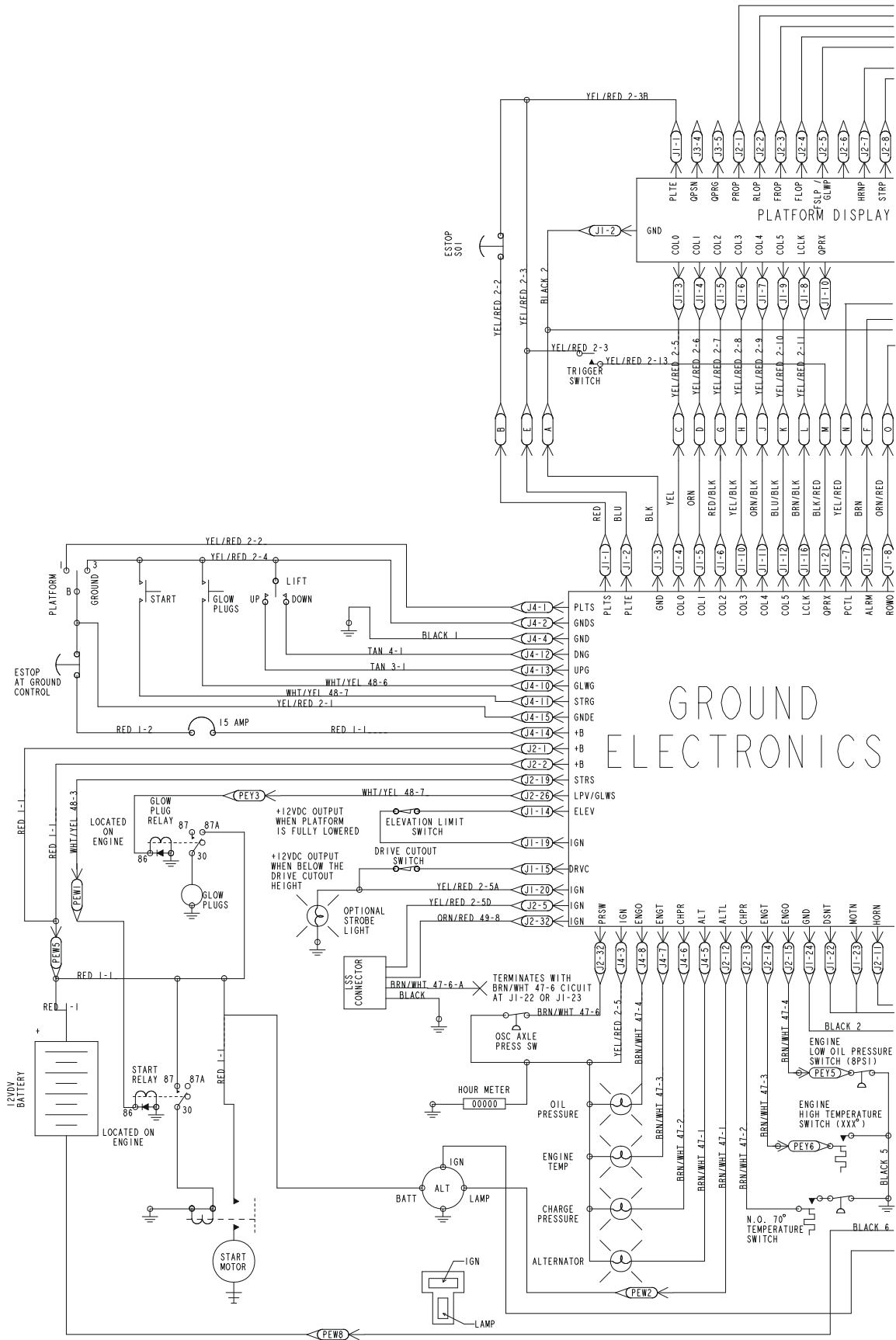
**FIGURE 6-5. HYDRAULIC DIAGRAM LIST**

ITEM #	PART NUMBER	QTY.	DESCRIPTION	REV.
		Ref.	<b>Note: Items with * indicate hydraulic diagrams shown in this manual. All other hydraulic diagrams are available from the JLG Service Department upon request.</b>	
	2792402*	Ref.	Hydraulic Diagram & Schematic - Standard (Prior to S/N 141689)	
	2792717*	Ref.	Hydraulic Diagram & Schematic - Standard (S/N 141689 to Present)	
		Ref.	Leveling Jacks Options: (Optional)	
	2792431	Ref.	Prior to S/N 104262	
	0259757*	Ref.	S/N 104262 to S/N 141689	
	2792686*	Ref.	Auto Level Leveling Jacks (Australian Spec S/N 128985 to Present)	
	2792686*	Ref.	Auto Level Leveling Jacks (CE Spec S/N 141689 to Present)	

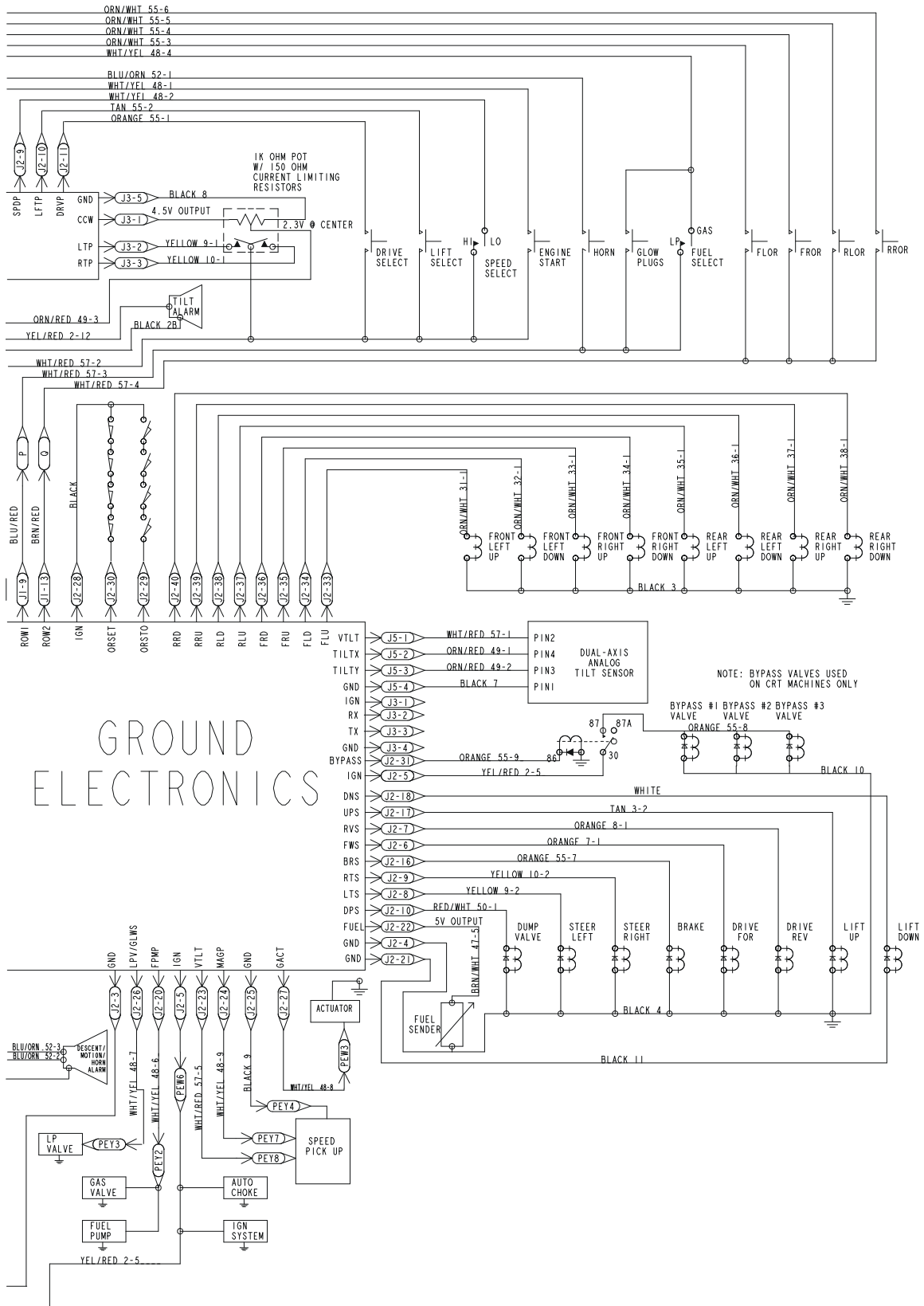
# **SECTION 7 ELECTRICAL**

# SECTION 7 ELECTRICAL

## FIGURE 7-1. ELECTRICAL SCHEMATIC (STANDARD)



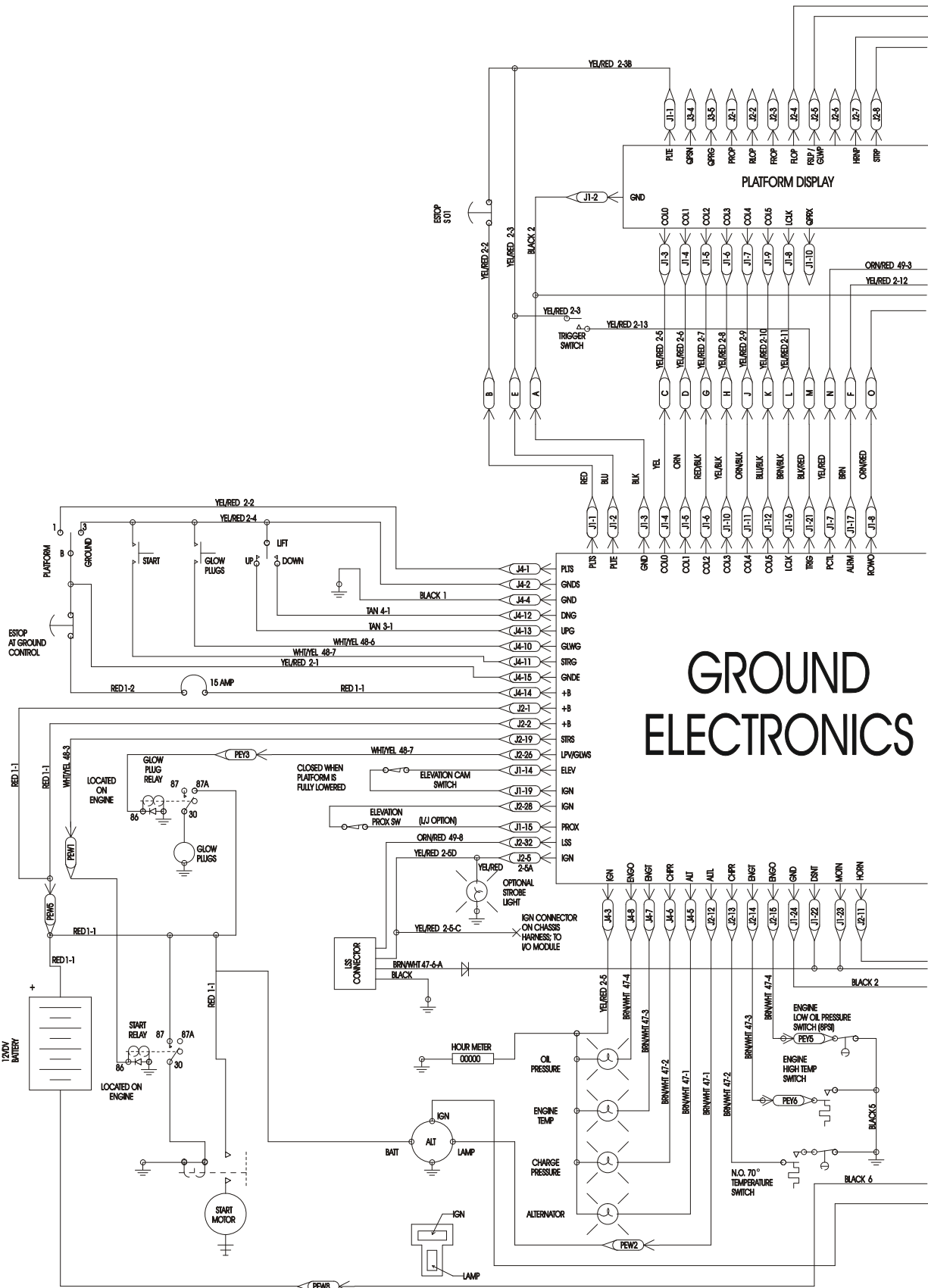
# SECTION 7 ELECTRICAL



1870118 I

# SECTION 7 ELECTRICAL

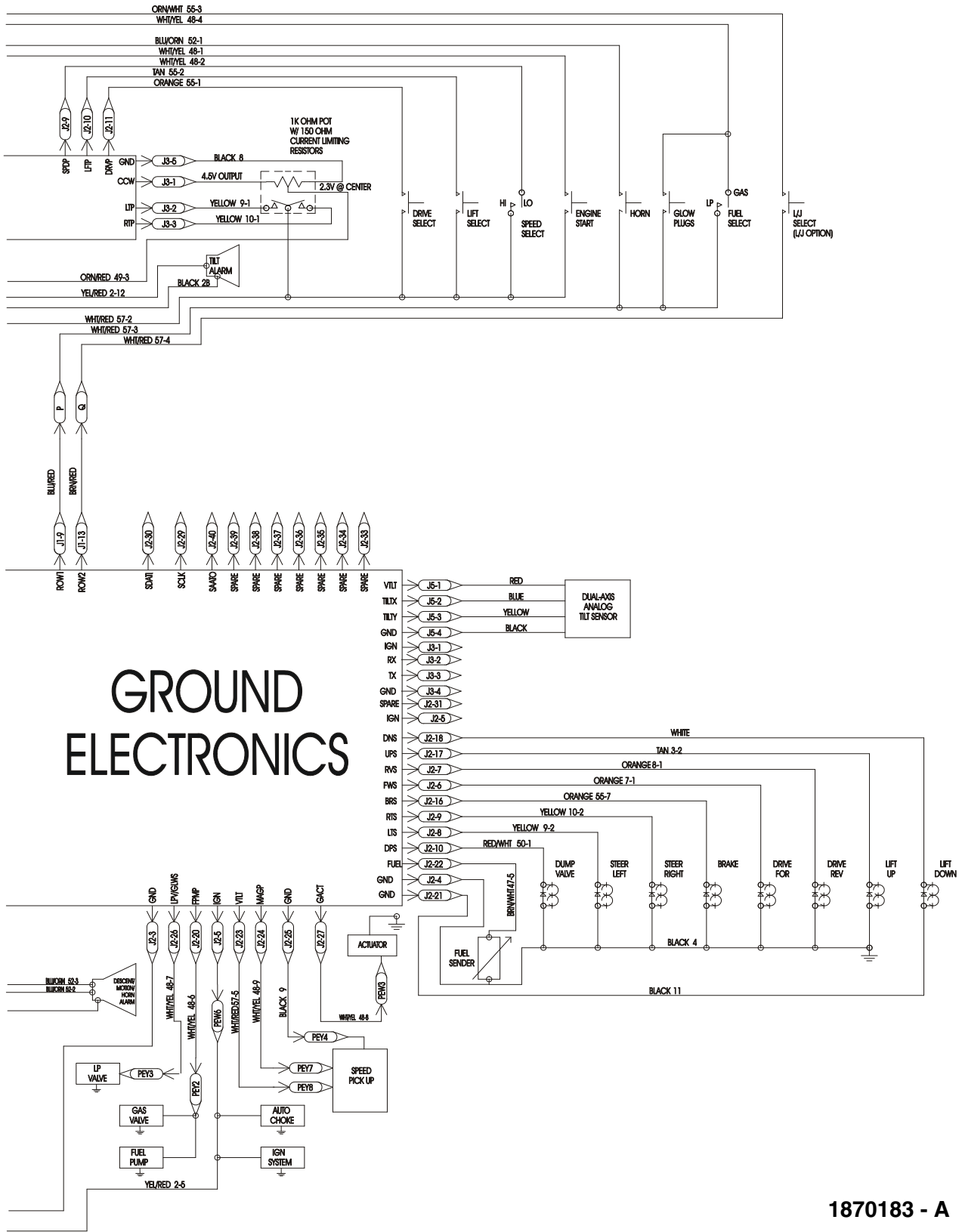
**FIGURE 7-2. ELECTRICAL SCHEMATIC (AUTO LEVEL LEVELING JACKS) (AUSTRALIAN SPEC S/N 128985 TO PRESENT & CE SPEC 141689 TO PRESENT)**



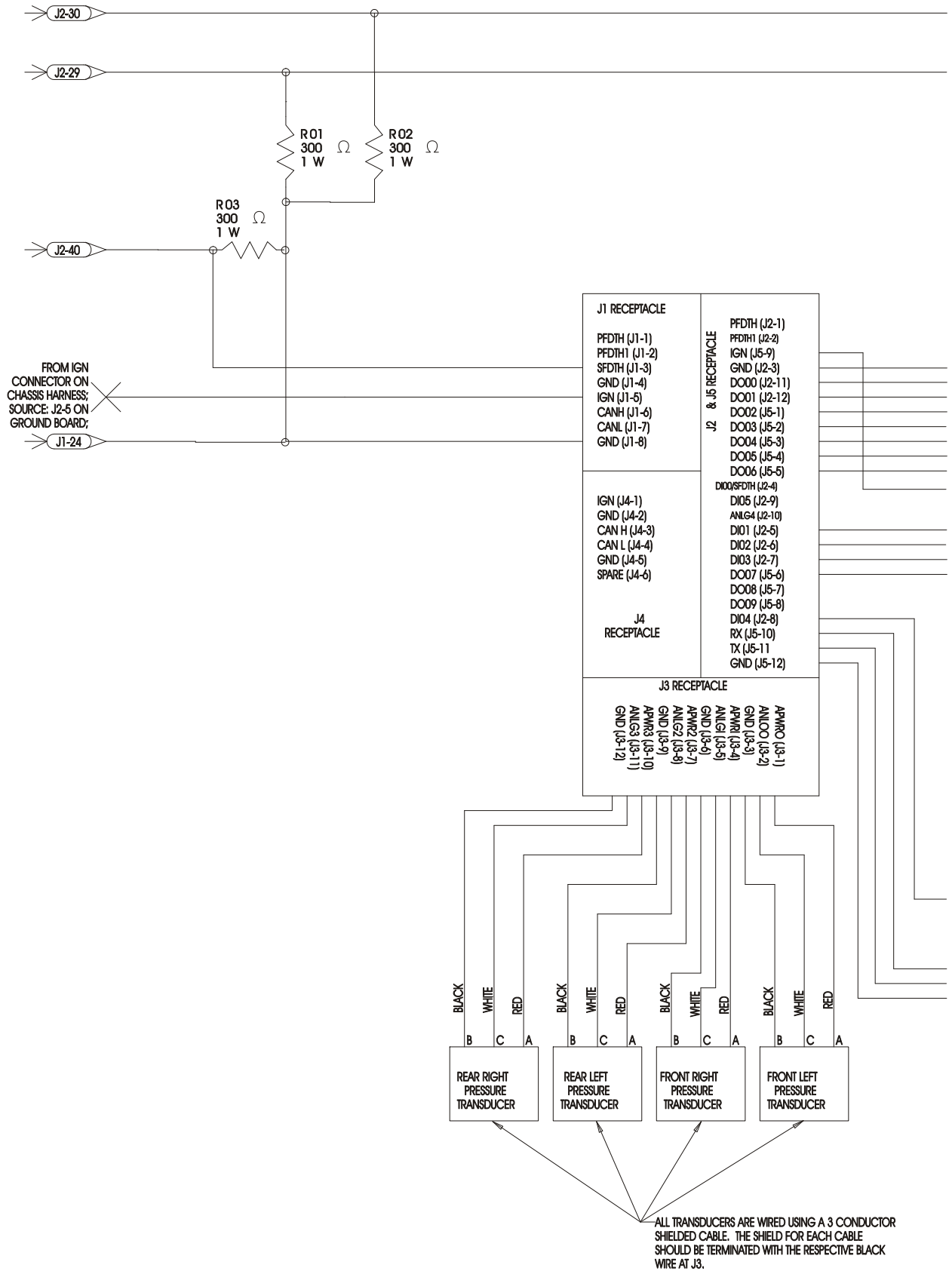
**GROUND ELECTRONICS**



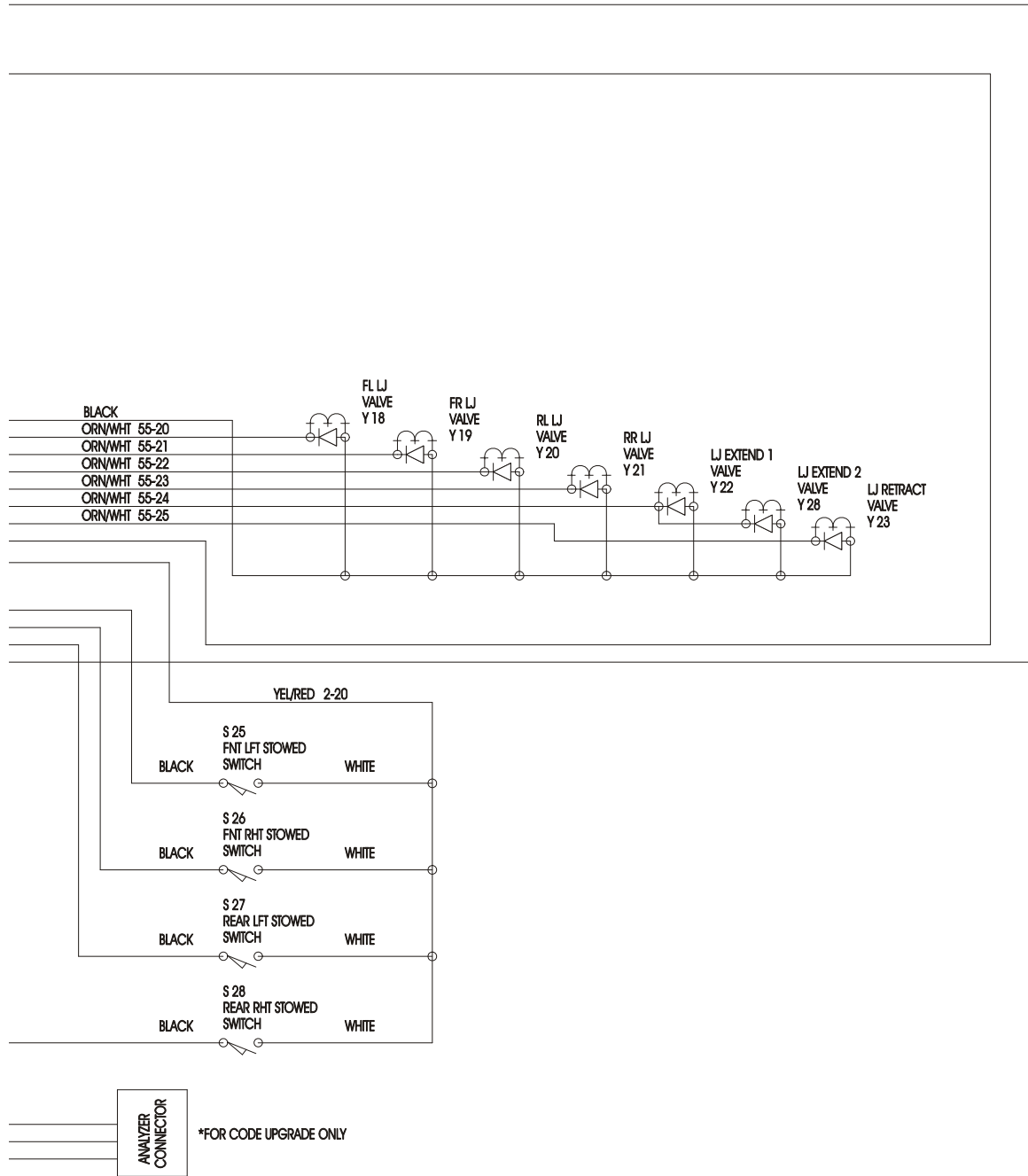
# SECTION 7 ELECTRICAL



# SECTION 7 ELECTRICAL



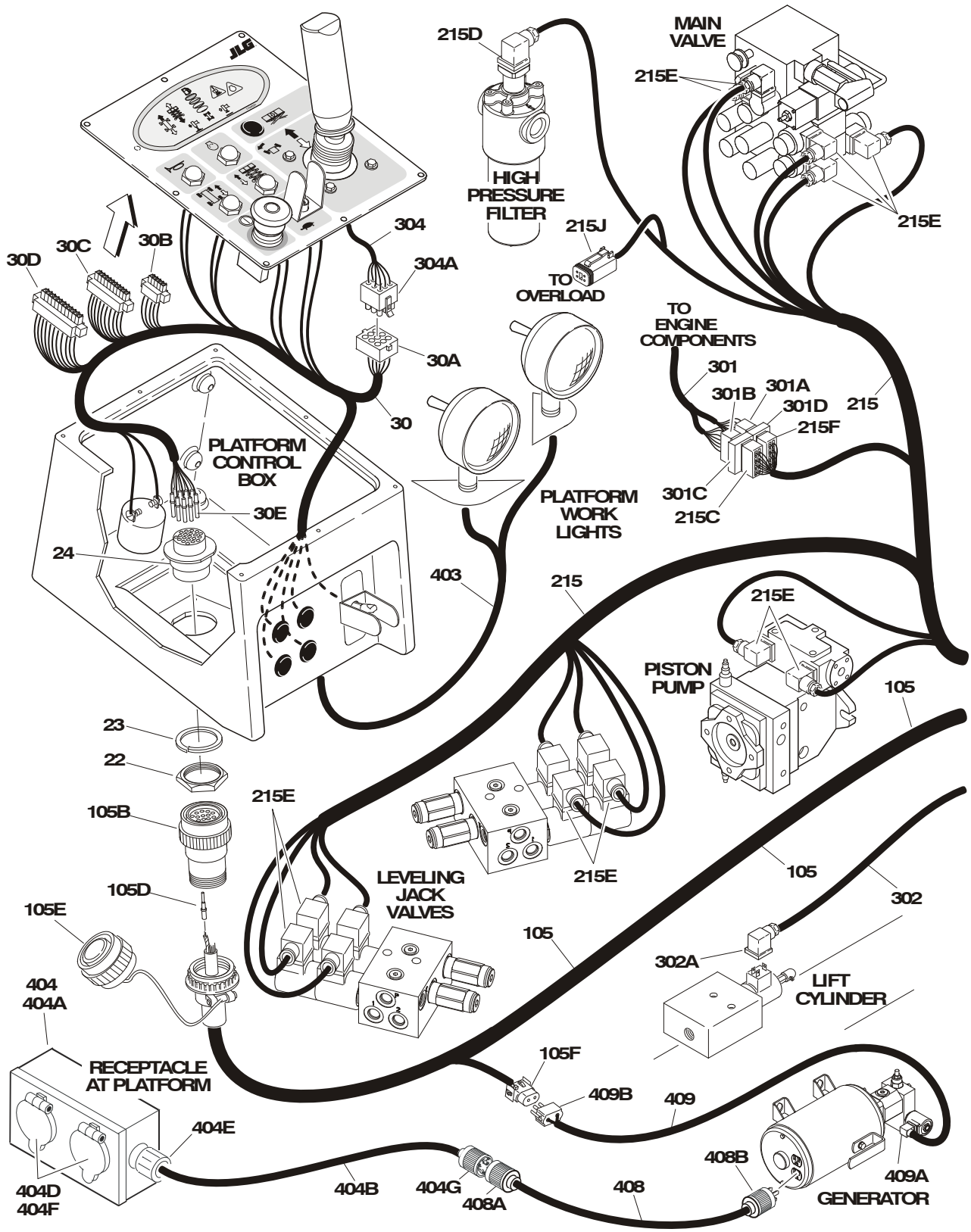
# SECTION 7 ELECTRICAL



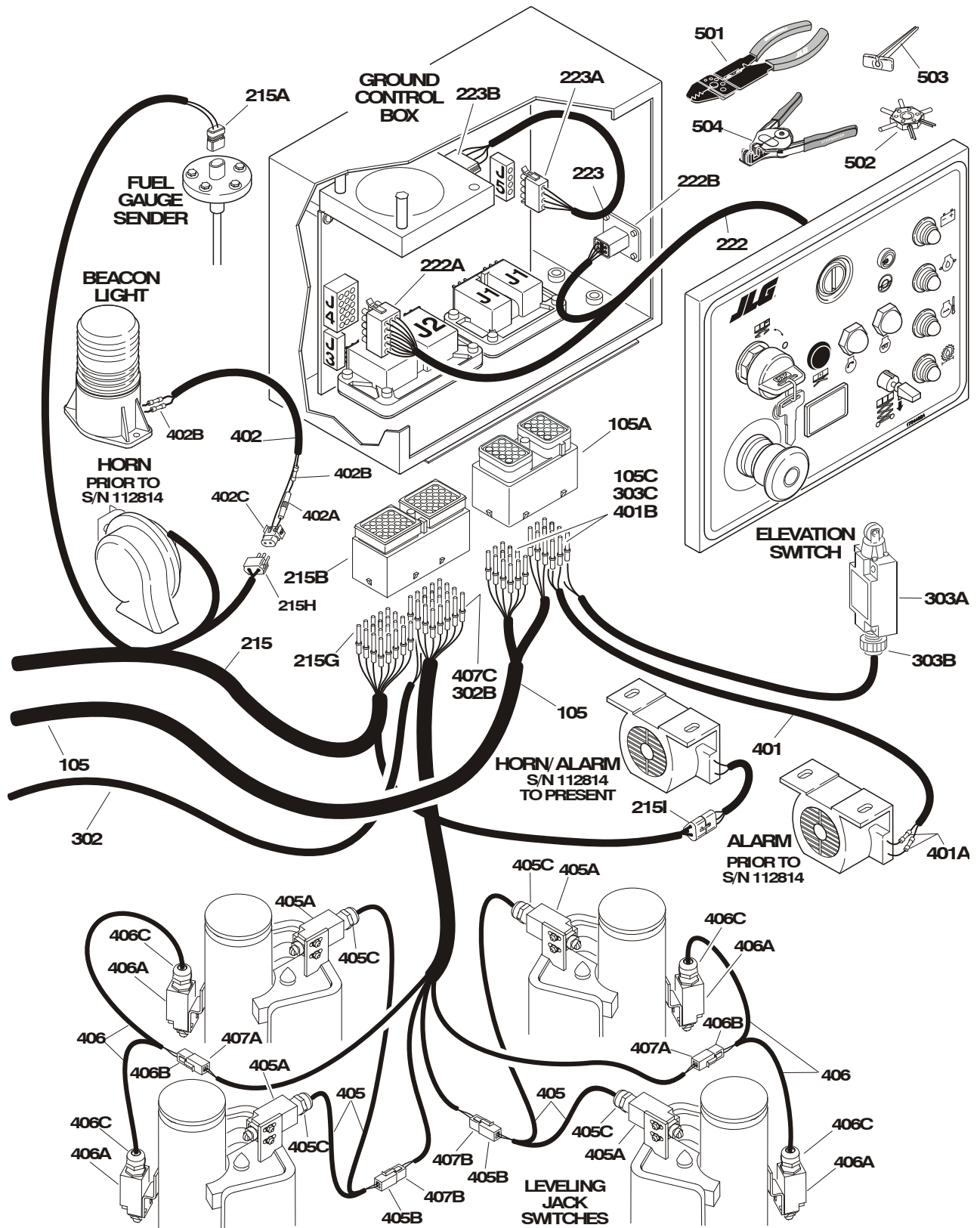
1870183 - A

# SECTION 7 ELECTRICAL

FIGURE 7-3. ELECTRICAL COMPONENTS INSTALLATION (PRIOR TO S/N 141689)



# SECTION 7 ELECTRICAL



# SECTION 7 ELECTRICAL

**FIGURE 7-3. ELECTRICAL COMPONENTS INSTALLATION (PRIOR TO S/N 141689)**

ITEM #	PART NUMBER	QTY.	DESCRIPTION	REV.
		Ref.	<b>CONSOLE BOX COMPONENTS</b>	
1 to 21	Not Used			
22	4460470	1	Nut, Terminal	
23	4460471	1	Lockwasher, Terminal	
24	4460480	1	Connector, Terminal	
25 to 29	Not Used			
30		1	Harness, Console Box Options:	
	4922391	1	Without Leveling Jacks	A
	4922437	1	With Leveling Jacks	A
30A	4460266	1	Receptacle - 9 Pin	
	4460267	8	Pin, Male	
30B	4460817	1	Plug, Male - 5 Position	
30C	4460818	1	Plug, Male - 10 Position	
30D	4460819	1	Plug, Male - 11 Position	
30E	4460465	15	Socket, Female	
	0259803	Ref.	<b>PLATFORM CABLE INSTALLATION</b>	B
101	0362801	3	Bar, Cable Rod (Not Shown)	
102	3450404	6	Pin, Cotter (Not Shown)	
103	4740480	6	Washer, Plastic Insert (Not Shown)	
104	4711600	6	Flatwasher 3/8" (Not Shown)	
105	4922379	1	Platform Cable Assembly	C
	1060815	64.8ft/19.8m	Cable, 18 Conductors	
	4460473	1	Clamp, Cable	
105A	4460465	16	Socket, Female	
105B	4460481	1	Plug, Male-23 Position	
105C	4460812	1	Plug, Male-24 Position	
105D	4460464	18	Pin, Male	
105E	4460468	1	Cap, Dust	
105F	4460424	1	Plug, Male - 2 Position	
	4460267	2	Pin, Male	
		Ref.	<b>GROUND CONTROL BOX ASSEMBLY AND INSTALLATIONS</b>	
201 to 214	Not Used			
215		1	Harness, Engine and Valve Options:	
	4922365		Machines without Leveling Jacks	H
	4922436		Machines with Leveling Jacks	E
	3990010	1	Diode (Not Shown)	
215A	4460834	1	Plug, Male - 2 Position	
	4460845	2	Terminal	
215B	4460814	1	Connector, Female - 40 Position	
215C	4460828	1	Connector, Female - 8 Position (White)	
	4460829	7	Terminal, Female	
215D	4460449	1	Connector, DIN without Diode	
215E	4460499	A/R	Connector, DIN with Diode	

## SECTION 7 ELECTRICAL

**FIGURE 7-3. ELECTRICAL COMPONENTS INSTALLATION (PRIOR TO S/N 141689)**

ITEM #	PART NUMBER	QTY.	DESCRIPTION	REV.
215F	4460827	1	Connector, Female - 8 Position (Yellow)	
	4460829	14	Terminal, Female	
215G	4460465	A/R	Socket, Female	
215H	4460424	1	Plug, Male - 2 Position	
	4460267	2	Pin, Male	
215I	4460539	1	Connector, Female - 2 Position (S/N 112814 to S/N 141689)	
	4460465	3	Socket, Female	
215J		A/R	Connector, Female Options:	
	4460320	1	Connector, Female - 2 Position (Prior to S/N 112814)	
	4460268	2	Socket, Female	
	4460884	1	Connector, Female - 4 Position (S/N 112814 to S/N 141689)	
	4460465	4	Socket, Female	
216 to 221	Not Used			
222		1	Harness, Ground Control Box	
	4922378		Diesel Machines	B
222A	4460434	1	Plug, Male - 15 Position	
	4460268	13	Socket, Female	
222B	4460885	1	Plug, Female - 4 Position (Diesel Machines Only) (Not used for this application)	
	4460464	4	Socket, Female	
223	4922339	1	Harness, Tilt (Prior to S/N 125353)	C
223A	4460321	1	Plug, Male - 6 Position	
	4460267	4	Pin, Male	
223B	4460824	1	Connector, Female - 4 Position (Prior to S/N 125353)	
	4460825	4	Socket, Female (Prior to S/N 125353)	
		Ref.	<b>STANDARD HARNESS COMPONENTS</b>	
301	7023183	1	Harness, Engine (Refer to Kubota Dealer)	
301A	7023179	1	Plug, Male - 8 Position (Yellow)	
	7023182	8	Pin, Male	
301B	7023178	1	Plug, Male - 8 Position (White)	
	7023182	8	Pin, Male	
301C	7023180	1	Bulkhead, Electrical Connector (White)	
301D	7023181	1	Bulkhead, Electrical Connector (Yellow)	
302	4922428	1	Harness, Lift Down	
	1060680	16.5ft/5m	Cable, Electrical - 18/2	
302A	4460499	1	Connector, DIN	
302B	4460465	2	Socket, Female	
303	Not Available	1	Elevation Switches Harness	
	1060680	9ft/2.7m	Cable, Electrical - 18/2	
303A	Use 4360548	2	Switch, Limit (Prior to S/N 115167 was p/n 4360321)	
303B		2	Connector, Strain Relief Options:	
	4460428		Prior to S/N 115167	
	4460968		S/N 115167 to S/N 141689	
303C	4460465	2	Socket, Female	
304	Not Available	1	Harness, Controller (Part of Electrical Assembly)	
304A	4460265	1	Plug, Male - 9 Position	
	4460268	8	Socket, Female	

# SECTION 7 ELECTRICAL

**FIGURE 7-3. ELECTRICAL COMPONENTS INSTALLATION (PRIOR TO S/N 141689)**

ITEM #	PART NUMBER	QTY.	DESCRIPTION	REV.
		Ref.	<b>OPTIONAL HARNESS COMPONENTS</b>	
401	Not Available	1	Alarm Harness (Prior to S/N 112814)	
	1060680	8ft/2.5m	Cable, Electrical - 18/2	
401A	4460248	2	Terminal (Prior to S/N 112814)	
401B	4460465	2	Socket, Female (Prior to S/N 112814)	
402	4922439	1	Beacon Harness	
	1060680	6ft/1.8m	Cable, Electrical - 18/2	
402A	2400056	1	Fuse - 5 Amp	
	4460044	1	Fuseholder	
402B	4460248	3	Terminal, Butt	
402C	4460268	2	Socket, Female	
	4460320	1	Plug, Male - 2 Position	
403	Not Available	1	Harness - Worklight	
	1060680	A/R	Cable, Electrical - 18/2	
404			AC to Platform Receptacle Components Options:	
	0259809	Ref.	220V Receptacle	G
	0259810	Ref.	220V Receptacle without Box	G
404A	0860038	1	Box, Switch	
404B		A/R	Electrical Cable Options:	
	1060461	43ft/13.1m	220V (Prior to S/N 105000)	
	4922713	1	220V (S/N 105000 to S/N 114069)	
	1061024	43ft/13.1m	220V (S/N 114069 to S/N141689)	
404C	1703464	1	Decal - AC Power (Not Shown)	
404D	Not Available	1	Shield, Cover	
404E		1	Connector, Strain Relief Options:	
	4460328		Prior to S/N 114069	
	4460071		S/N 114069 to S/N 141689	
404F	Not Available	1	Receptacle	
404G	Not Available	1	Plug, Male	
405	4922454	2	Harness - Leveling Jacks (N.O. Limit Switches)	D
	1060680	8ft/2.4m	Cable, Electrical - 18/2	
405A	Use 4360548	2	Switch, Limit (Prior to S/N 115167 was p/n 4360321)	
405B	4460424	1	Connector, Female - 2 Position	
	4460267	2	Pin, Male	
405C		2	Connector, Strain Relief Options:	
	4460428		Prior to S/N 115167	
	4460968		S/N 115167 to S/N 141689	
406	4922455	2	Harness - Leveling Jacks (N.C. Limit Switches)	D
	1060680	9.4ft/3m	Cable, Electrical - 18/2	
406A	Use 4360548	2	Switch, Limit (Prior to S/N 115167 was p/n 4360321)	
406B	4460320	1	Plug, Male - 2 Position	
	4460268	2	Socket, Female	
406C		2	Connector, Strain Relief Options:	
	4460428		Prior to S/N 115167	
	4460968		S/N 115167 to S/N 141689	
407	4922456	1	Harness, Connecting - Leveling Jacks	B
	1060680	28ft/8.5m	Cable, Electrical - 18/2	



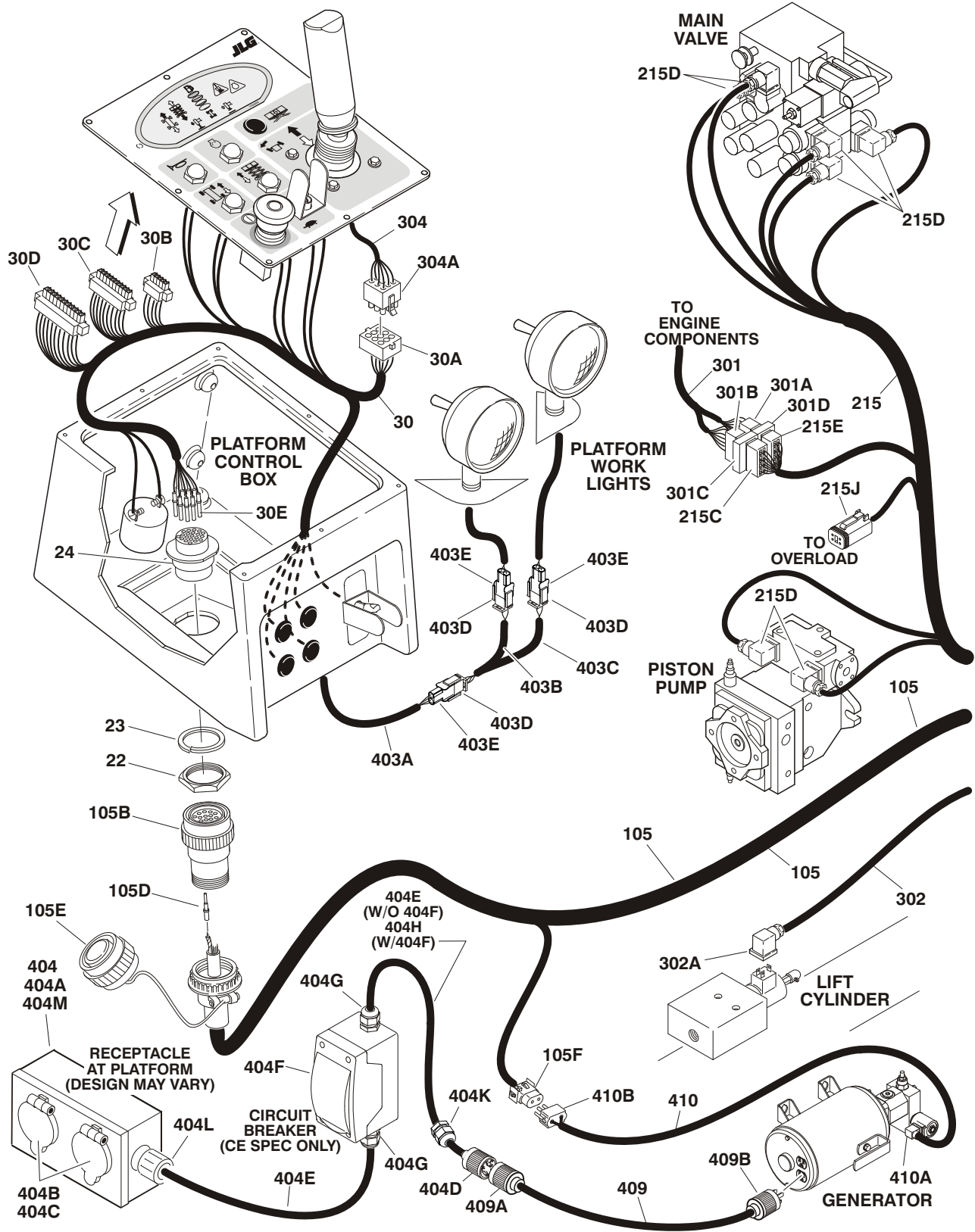
## SECTION 7 ELECTRICAL

**FIGURE 7-3. ELECTRICAL COMPONENTS INSTALLATION (PRIOR TO S/N 141689)**

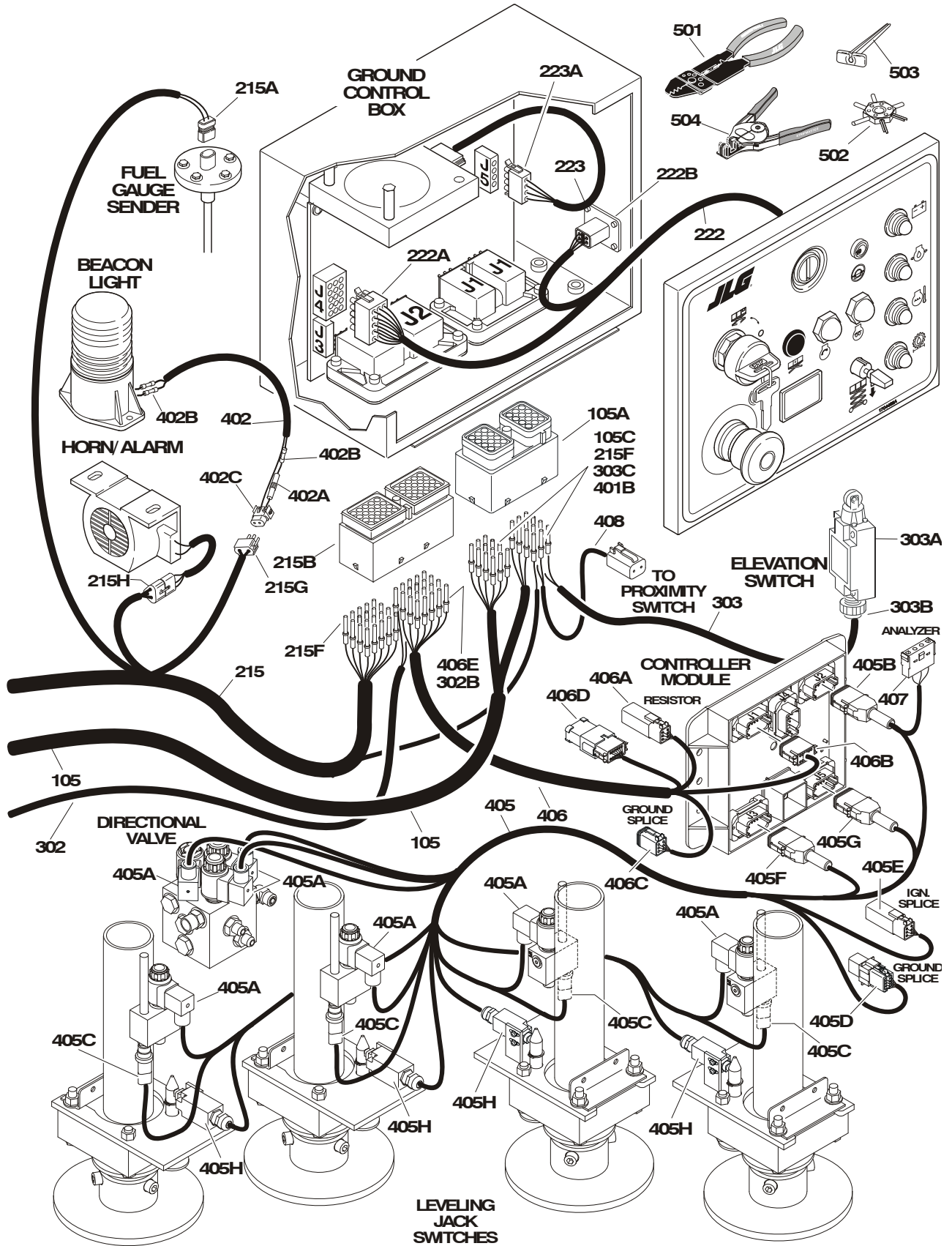
ITEM #	PART NUMBER	QTY.	DESCRIPTION	REV.
407A	4460424	2	Connector, Female - 2 Position	
	4460267	4	Pin, Male	
407B	4460320	2	Plug, Male - 2 Position	
	4460268	4	Socket, Female	
407C	4460465	3	Socket, Female	
408 to 409B	Not Required			
410	4922748	Ref.	Harness, Leveling Jacks - Auto Level (Not Shown)	D
	4460499	7	Connector, DIN with Diode	
	4460539	4	Connector, Female - 3 Position	
	4460836	1	Connector, Female - 12 Position	
	4460851	1	Connector, Female - 8 Position	
	4460852	1	Connector, Female - 8 Position (Bottom)	
	4460892	1	Terminal, 6 Position (Buss Bar)	
	4460894	1	Plug, 6 Position	
	4460934	1	Plug, 12 Position	
	4460935	1	Plug, 12 Position	
	1060680	67ft/20.4m	Cable, Electrical - 18/2	
	4460465	50	Socket, Female	
	4460466	13	Terminal, Plug	
	4360548	4	Switch, Limit	
	4460968	4	Connector, Strain Relief	
411	4923136	Ref.	Harness, Adapter - Auto Level (Not Shown)	B
	3730124	3	Resistor, 300 OHM	
	4460894	2	Plug, 6 Position	
	4460899	1	Terminal, 6 Position	
	4460465	32	Socket, Female	
	4460464	6	Pin, Male	
	4460898	1	Plug, 12 Position (4 Buss Bar)	
	4460933	1	Plug, 12 Position	
	4460836	1	Connector, Female - 12 Position	
412	4923135	Ref.	Harness, Analyzer - Auto Level (Not Shown)	B
	4060128	1ft.0.3m	Cable, Control	
	4460761	1	Housing, Female 4 Position	
	4460227	3	Pin, Male	
	4460465	3	Socket, Female	
413	4923137	Ref.	Harness, Proximity	A
	1060902	8ft/2.4m	Cable, Electrical 18/2	
	4460465	4	Socket, Female	
	4460891	1	Housing, 2 Position	
		Ref.	<b>TOOLS</b>	
501	7002821	1	Crimper (For Wire to Pin/Socket Connections)	
502	7002823	1	Extractor (For Removal of Pin/Socket from Connectors)	
503	4460467	1	Extractor, Pin (Blue 16-18 Gauge) (For Removal of Pin/Socket from Connectors)	
	4460510	1	Extractor, Pin (Yellow 12-14 Gauge) (For Removal of Pin/Socket from Connectors)	
504	7002828	1	Stripper, Wire	

# SECTION 7 ELECTRICAL

FIGURE 7-4. ELECTRICAL COMPONENTS INSTALLATION (S/N 141689 TO PRESENT)



# SECTION 7 ELECTRICAL



# SECTION 7 ELECTRICAL

**FIGURE 7-4. ELECTRICAL COMPONENTS INSTALLATION (S/N 141689 TO PRESENT)**

ITEM #	PART NUMBER	QTY.	DESCRIPTION	REV.
		Ref.	<b>CONSOLE BOX COMPONENTS</b>	
1 to 21	Not Used			
22	4460470	1	Nut, Terminal	
23	4460471	1	Lockwasher, Terminal	
24	4460480	1	Connector, Terminal	
25 to 29	Not Used			
30		1	Harness, Console Box Options:	
	4922391	1	Without Leveling Jacks	A
	4922437	1	With Leveling Jacks	A
30A	4460266	1	Receptacle - 9 Pin	
	4460267	8	Pin, Male	
30B	4460817	1	Plug, Male - 5 Position	
30C	4460818	1	Plug, Male - 10 Position	
30D	4460819	1	Plug, Male - 11 Position	
30E	4460465	15	Socket, Female	
	0259803	Ref.	<b>PLATFORM CABLE INSTALLATION</b>	B
101	0362801	3	Bar, Cable Rod (Not Shown)	
102	3450404	6	Pin, Cotter (Not Shown)	
103	4740480	6	Washer, Plastic Insert (Not Shown)	
104	4711600	6	Flatwasher 3/8" (Not Shown)	
105	4922379	1	Platform Cable Assembly	C
	1060815	64.8ft/19.8m	Cable, 18 Conductors	
	4460473	1	Clamp, Cable	
105A	4460465	16	Socket, Female	
105B	4460481	1	Plug, Male-23 Position	
105C	4460812	1	Plug, Male-24 Position	
105D	4460464	18	Pin, Male	
105E	4460468	1	Cap, Dust	
105F	4460424	1	Plug, Male - 2 Position	
	4460267	2	Pin, Male	
		Ref.	<b>GROUND CONTROL BOX ASSEMBLY AND INSTALLATIONS</b>	
201 to 214	Not Used			
215	4923295	1	Harness, Engine and Valve	B
	3990010	1	Diode (Not Shown)	
215A	4460834	1	Plug, Male - 2 Position	
	4460845	2	Terminal	
215B	4460814	1	Connector, Female - 40 Position	
215C	4460828	1	Connector, Female - 8 Position (White)	
	4460829	7	Terminal, Female	
215D	4460449	7	Connector, DIN without Diode	
215E	4460827	1	Connector, Female - 8 Position (Yellow)	
	4460829	14	Terminal, Female	
215F	4460465	A/R	Socket, Female	

## SECTION 7 ELECTRICAL

**FIGURE 7-4. ELECTRICAL COMPONENTS INSTALLATION (S/N 141689 TO PRESENT)**

ITEM #	PART NUMBER	QTY.	DESCRIPTION	REV.
215G	4460424	1	Plug, Male - 2 Position	A
	4460267	2	Pin, Male	
215H	4460539	1	Connector, Female - 2 Position (S/N 112814 to Present)	
	4460465	3	Socket, Female	
215J	4460884	1	Connector, Female - 4 Position	
	4460465	4	Socket, Female	
	3990010	1	Diode, 6 Amp	
216 to 221	Not Used			
222	4923293	1	Harness, Ground Control Box	
222A	4460434	1	Plug, Male - 15 Position	
	4460268	13	Socket, Female	
222B	4460885	1	Plug, Female - 4 Position (Not used for this application)	
	4460464	4	Socket, Female	
223	Not Available	1	Harness, Tilt (Part of Dual Axis Tilt Sensor p/n 4000006)	
223A	4460321	1	Plug, Male - 6 Position	
	4460267	4	Pin, Male	
		Ref.	<b>STANDARD HARNESS COMPONENTS</b>	
301	7023183	1	Harness, Engine (Refer to Kubota Dealer)	
301A	7023179	1	Plug, Male - 8 Position (Yellow)	
	7023182	8	Pin, Male	
301B	7023178	1	Plug, Male - 8 Position (White)	
	7023182	8	Pin, Male	
301C	7023180	1	Bulkhead, Electrical Connector (White)	
301D	7023181	1	Bulkhead, Electrical Connector (Yellow)	
302	4922428	1	Harness, Lift Down	
	1060680	16.5ft/5m	Cable, Electrical - 18/2	
302A	4460499	1	Connector, DIN	
302B	4460465	2	Socket, Female	
303	4922630	1	Elevation Switches Harness	
	1060680	9ft/2.7m	Cable, Electrical - 18/2	
303A	Use 4360548	2	Switch, Limit	
303B	4460968	2	Connector, Strain Relief	
303C	4460465	2	Socket, Female	
304	Not Available	1	Harness, Controller (Part of Electrical Assembly)	
304A	4460265	1	Plug, Male - 9 Position	
	4460268	8	Socket, Female	
		Ref.	<b>OPTIONAL HARNESS COMPONENTS</b>	
401	Not Used			
402	4922439	1	Beacon Harness	
	1060680	6ft/1.8m	Cable, Electrical - 18/2	
402A	2400056	1	Fuse - 5 Amp	
	4460044	1	Fuseholder	
402B	4460248	3	Terminal, Butt	
402C	4460268	2	Socket, Female	
	4460320	1	Plug, Male - 2 Position	

# SECTION 7 ELECTRICAL

**FIGURE 7-4. ELECTRICAL COMPONENTS INSTALLATION (S/N 141689 TO PRESENT)**

ITEM #	PART NUMBER	QTY.	DESCRIPTION	REV.
403	4922564	1	Harness - Worklight	B
403A	1060873	1	Cable, Electrical - 16/2	
403B	1060874	1	Cable, Electrical - 16/2	
403C	1060875	1	Cable, Electrical - 16/2	
403D	4460320	3	Plug, Male - 2 Position	
	4460268	6	Socket, Female	
403E	4460424	3	Connector, Female - 2 Position	
	4460267	6	Pin, Male	
404			AC to Platform Receptacle Components Options: <b>Note: Only Installations 0259809 &amp; 0259810 available for Australian Spec. All Installations are available for CE Spec.</b>	
	0259809	Ref.	220V with Receptacle	I
	0259810	Ref.	220V Without Receptacle or Box	G
	1001093965	Ref.	110V with IEC Yellow Receptacle & Plug	B
	1001093966	Ref.	220V with IEC Blue Receptacle & Plug	B
	1001093939	Ref.	220V with AFSINT 107 Keyed Ground Receptacle & Plug	B
	1001093857	Ref.	220V with CEE 7 Post Ground Receptacle & Plug (2x4 Box)	B
	1001093967	Ref.	220V with CEE 7 Post Ground Receptacle & Plug (70x70 Box)	B
	1001093931	Ref.	220V with CEE 7 Side Ground Receptacle & Plug (2x4 Box)	B
	1001093968	Ref.	220V with CEE 7 Side Ground Receptacle & Plug (70x70 Box)	B
404A		1	Box, Switch Options:	
	0860038		0259809 Installation S/N 141689 to S/N 172932	
	0861731		0259809 Installation S/N 172932 to Present	
	Not Available		0259810 Installation (Purchase Locally)	
	0861731		1001093857, 1001093931 & 1001093939 Installations	
	0861781		1001093965 & 1001093966 Installations	
	0861782		1001093967 & 1001093968 Installations	
404B		1	Receptacle Options:	
	Not Available		0259809 & 0259810 Installations (Purchase Locally)	
	4461244		1001093857 Installation (Includes Cover)	
	4461245		1001093931 Installation (Includes Cover)	
	4461246		1001093939 Installation (Includes Cover)	
	4461198		1001093965 Installation (Includes Cover)	
	4461201		1001093966 Installation (Includes Cover)	
	4461204		1001093967 Installation (Includes Cover)	
	4461207		1001093968 Installation (Includes Cover)	
404C		1	Cover Options:	
	Not Available		0259809 & 0259810 Installations (Purchase Locally)	
	4461244		1001093857 Installation (Includes Cover)	
	4461245		1001093931 Installation (Includes Cover)	
	4461246		1001093939 Installation (Includes Cover)	
	4461198		1001093965 Installation (Includes Cover)	
	4461201		1001093966 Installation (Includes Cover)	
	4461204		1001093967 Installation (Includes Cover)	
	4461207		1001093968 Installation (Includes Cover)	

## SECTION 7 ELECTRICAL

**FIGURE 7-4. ELECTRICAL COMPONENTS INSTALLATION (S/N 141689 TO PRESENT)**

ITEM #	PART NUMBER	QTY.	DESCRIPTION	REV.
404D	Not Available 4461202 4461203 4461205 4461206 4461249 4461250 4461198 4461197 4461199 4461200	1	Plug Options: 0259809 & 0259810 Installations (Purchase Locally) 1001093857 & 1001093967 Installations (Male) 1001093857 & 1001093967 Installations (Female) 1001093931 & 1001093968 Installations (Male) 1001093931 & 1001093968 Installations (Female) 1001093939 Installation (Male) 1001093939 Installations (Female) 1001093965 Installation (Male) 1001093965 Installation (Female) 1001093966 Installation (Male) 1001093966 Installation (Female)	
404E	1061024 1060461	A/R 1 45ft/13.7m	Electrical Cable Options: Prior to S/N 0200193881 S/N 0200193881 to Present	
404F	2400093 0861880 4460957 4460956	A/R 1 1 1 1	Breaker, Circuit (Only Required on CE Spec Installations) Circuit Breaker Breaker Box Terminal Block Barrier, Terminal Block	
404G	4460633	2	Connector, Strain Relief	
404H	1060908	6ft/1.8m	Cable, Extension (Only Required on CE Spec Installations)	
404J	1703464 1705325 1702507	1	Decal - AC Power Options (Not Shown - Located Near Item 404D): 0259809 & 0259810 Installations 1001093965 Installation 1001093857, 1001093931, 1001093939, 1001093966, 1001093967, 1001093968 Installations	
404K	4460071 3300048	1 1	Connector, Strain Relief Nut, Conduit	
404L	4460071 4460968	1	Connector, Strain Relief 0259809 & 0259810 Installations 1001093965, 1001093857, 1001093931, 1001093939, 1001093966, 1001093967, 1001093968 Installations	
404M	Not Required 1001093993	1	Bracket, Receptacle Box 0259809, 025981, 1001093857, 1001093931, 1001093939 Installations 1001093965, 1001093966, 1001093967, 1001093968 Installations	
	0275216	1	Receptacle, Box & Plug Kit (110V IEC Yellow) (Includes Items 404A-404C & Male 404D Plug End) (1001093965 Installation)	1/A
	0275217	1	Receptacle, Box & Plug Kit (220V IEC Blue) (Includes Items 404A-404C & Male 404D Plug End) (1001093966 Installation)	1/A
	0275454	1	Receptacle, Box & Plug Kit (220V AFSINT 107 Keyed Ground) (Includes Items 404A-404C & Male 404D Plug End) (1001093939 Installation)	1/A

## SECTION 7 ELECTRICAL

**FIGURE 7-4. ELECTRICAL COMPONENTS INSTALLATION (S/N 141689 TO PRESENT)**

ITEM #	PART NUMBER	QTY.	DESCRIPTION	REV.
	0273857	1	Receptacle Box Kit (220V CEE 7 Post Ground with 2x4 Box) (Includes Items 404A-404C & Male 404D Plug End) (1001093857 Installation)	1/A
	0275218	1	Receptacle, Box & Plug Kit (220V CEE 7 Post Ground with 70x70 Box) (Includes Items 404A-404C & Male 404D Plug End) (1001093967 Installation)	2/A
	0275453	1	Receptacle Box Kit (220V CEE 7 Side Ground with 2x4 Box) (Includes Item 404A-404C & Male 404D Plug End) (1001093931 Installation)	1/A
	0275219	1	Receptacle, Box & Plug Kit (220V CEE 7 Side Ground with 70x70 Box) (Includes Items 404A-404C & Male 404D Plug End) (1001093968 Installation)	2/A
	2902549	1	Circuit Breaker Box Kit (Includes Items 404F-404H)	B
			-----	
405	4922748	1	Harness - Auto Leveling Jacks	D
405A	4460499	7	Connector, DIN with Diode	
405B	4460836	1	Connector, Female - 12 Position	
	0840055	1	Boot	
405C	4460539	4	Connector, Female - 3 Position	
405D	4460851	1	Connector, Female - 8 Position	
	4460852	1	Connector, Female - 8 Position (Bottom)	
405E	4460892	1	Terminal, 6 Position (Buss Bar)	
	4460894	1	Plug, 6 Position	
405F	4460934	1	Plug, 12 Position	
	0840055	1	Boot	
405G	4460935	1	Plug, 12 Position	
	0840055	1	Boot	
405H	4360548	4	Switch, Limit	
	4460968	4	Connector, Strain Relief	
405J	4460465	50	Socket, Female (Not Shown)	
	4460466	13	Terminal, Plug	
406	4923136	Ref.	Harness, Adapter - Auto Level	2/E
406A	4460894	1	Plug, 6 Position	
	3730124	3	Resistor, 300 OHM	
	4460899	1	Terminal, 6 Position	
	4460465	6	Socket, Female	
	4460464	6	Pin, Male	
406B	4460933	1	Plug, 12 Position	
	4460465	3	Socket, Female	
406C	4460892	1	Terminal, 6 Position (Buss Bar)	
	4460894	1	Plug, 6 Position	
	4460465	5	Socket, Female	
406D	4460933	1	Plug, 12 Position	
	4460465	12	Socket, Female	
	4460898	1	Plug, 12 Position (4 Buss Bar)	
406E	4460465	4	Socket, Female	
407	4923135	Ref.	Harness, Analyzer - Auto Level	B
	4060128	1ft.0.3m	Cable, Control	
	4460761	1	Housing, Female 4 Position	
	4460227	3	Pin, Male	
	4460465	3	Socket, Female	



## SECTION 7 ELECTRICAL

**FIGURE 7-4. ELECTRICAL COMPONENTS INSTALLATION (S/N 141689 TO PRESENT)**

ITEM #	PART NUMBER	QTY.	DESCRIPTION	REV.
408	4923137	Ref.	Harness, Proximity	A
	1060902	8ft/2.4m	Cable, Electrical 18/2	
	4460465	4	Socket, Female	
	4460891	1	Housing, 2 Position	
409 to 410B	Not Required			
		Ref.	<b>TOOLS</b>	
501	7002821	1	Crimper (For Wire to Pin/Socket Connections)	
502	7002823	1	Extractor (For Removal of Pin/Socket from Connectors)	
503	4460467	1	Extractor, Pin (Blue 16-18 Gauge) (For Removal of Pin/Socket from Connectors)	
	4460510	1	Extractor, Pin (Yellow 12-14 Gauge) (For Removal of Pin/Socket from Connectors)	
504	7002828	1	Stripper, Wire	
				D

# SECTION 7 ELECTRICAL

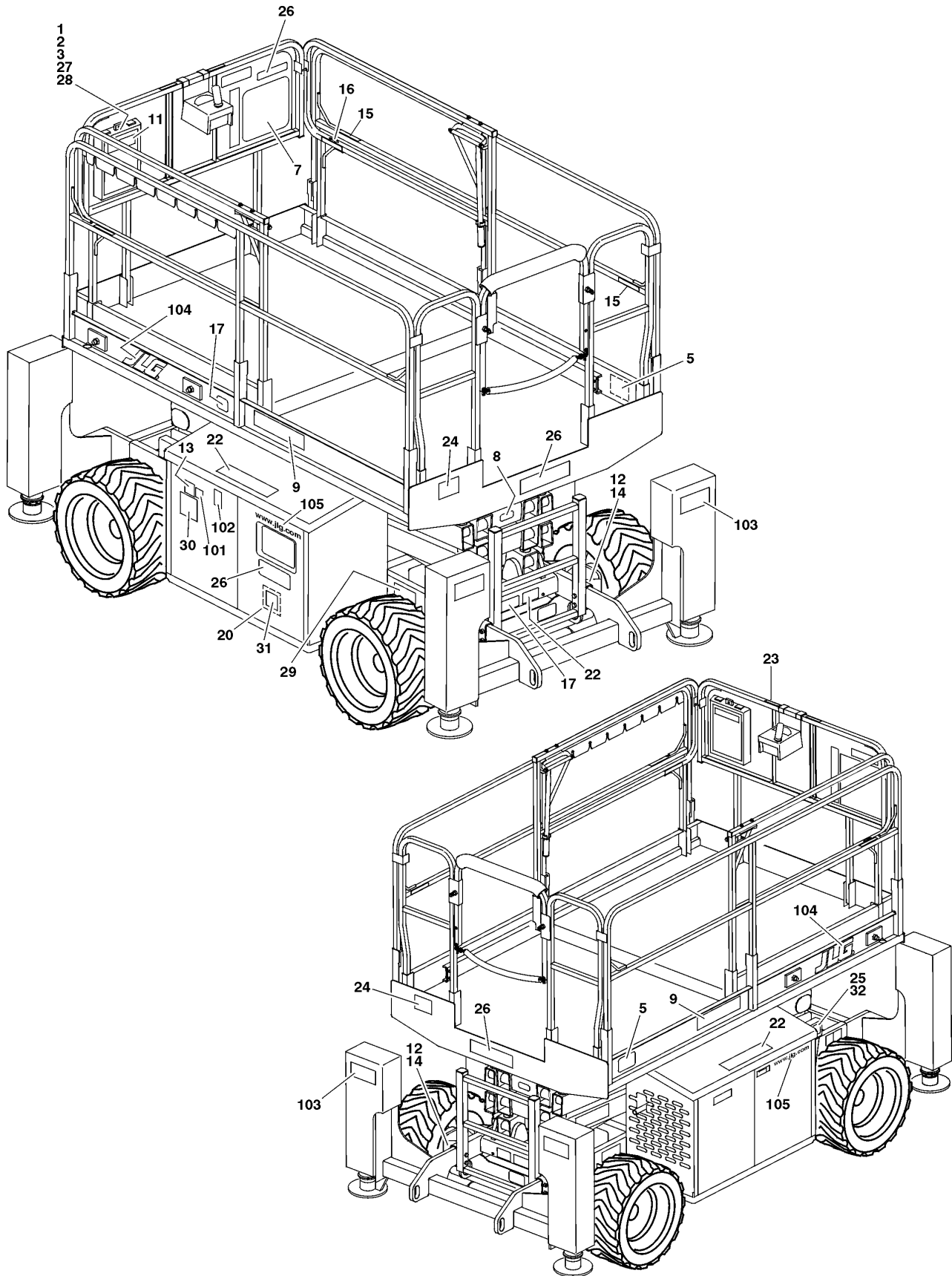
**FIGURE 7-4. ELECTRICAL COMPONENTS INSTALLATION (S/N 141689 TO PRESENT)**

ITEM #	PART NUMBER	QTY.	DESCRIPTION	REV.

# **SECTION 8 DECALS**

# SECTION 8 DECALS

## FIGURE 8-1. DECAL INSTALLATION (PRIOR TO S/N 149779)



## SECTION 8 DECALS

**FIGURE 8-1. DECAL INSTALLATION (PRIOR TO S/N 149779)**

ITEM #	PART NUMBER	QTY.	DESCRIPTION	REV.
		Ref.	<b>DECAL INSTALLATION OPTIONS:</b>	
	0259802	Ref.	<b>Australian Spec (Prior to S/N 102883)</b>	D
	0271884	Ref.	<b>Australian Spec (S/N 102883 to S/N 149779)</b>	3
	0259798	Ref.	<b>Dutch Spec (Prior to S/N 102883)</b>	D
	0271880	Ref.	<b>Dutch Spec (S/N 102883 to S/N 149779)</b>	4
	0259801	Ref.	<b>French Spec (Prior to S/N 102883)</b>	D
	0271883	Ref.	<b>French Spec (S/N 102883 to S/N 149779)</b>	5
	0259796	Ref.	<b>German Spec (Prior to S/N 102883)</b>	D
	0271878	Ref.	<b>German Spec (S/N 102883 to S/N 149779)</b>	4
	0259800	Ref.	<b>Italian Spec (Prior to S/N 102883)</b>	D
	0271882	Ref.	<b>Italian Spec (S/N 102883 to S/N 149779)</b>	4
	0273205	Ref.	<b>Norwegian Spec</b>	3
	0274357	Ref.	<b>Russian Spec</b>	3
	0259797	Ref.	<b>Spanish Spec (Prior to S/N 102883)</b>	D
	0271879	Ref.	<b>Spanish Spec (S/N 102883 to S/N 149779)</b>	4
	0259799	Ref.	<b>UK Spec (Prior to S/N 102883)</b>	E
	0271881	Ref.	<b>UK Spec (S/N 102883 to S/N 149779)</b>	5
1	0641405	4	Bolt 1/4"-20NC x 5/8"	
2	0860520	1	Box, Manual Storage	
3	1060279	1	Cable, Lanyard	
4	Not Used			
5	Not Available	1	Decal - Bar Code	
6	Not Used			
7	1704548	1	Decal - Capacity	
8	1704138	1	Decal - Safety Prop	
9	1704529	2	Decal - 260MRT	
10	Not Used			
11		1	Decal - Manual Reference Options:	
	1703788*		(Prior to S/N 102883)	
	1701509*		(S/N 102883 to S/N 149779)	
12	1703811*	4	Decal - Lifting Lugs	
13	1703812*	1	Decal - Hydraulic Oil	
14	1703814*	4	Decal - Tie Down	
15	1704277*	6	Decal - Attach Lanyard Here	
16	1703819*	1	Decal - Directional Arrow	
17	1705084	2	Decal - Sound Power Level Decal	
18 to 19	Not Used			
20		1	Decal - Towing/Winching/Tow Speed Options:	
	1704556*		Australian Specs	
	1704620*		Dutch Specs	
	1704605*		French Specs	
	1704622*		German Specs	
	1704621*		Italian Specs	
	1704556*		Norwegian Spec	
	1706332		Russian Specs	
	1704619*		Spanish Specs	
	1704556*		UK Spec	
21	Not Used			

## SECTION 8 DECALS

**FIGURE 8-1. DECAL INSTALLATION (PRIOR TO S/N 149779) (CONTINUED)**

ITEM #	PART NUMBER	QTY.	DESCRIPTION	REV.
22	1703818*	4	Decal - Crushing Hazard/Danger Electrcution	
	1703894*		Australian Specs	
	1703865*		Dutch Specs	
	1703882*		French Specs	
	1703887*		German Specs	
	1705257*		Italian Specs	
	1706338		Norwegian Spec	
	1703841*		Russian Specs	
	1703818*		Spanish Specs	
			UK Spec	
23	Not Used			
24	3251813	1	Nameplate - USA	
25	Not Available	1	Nameplate - Serial Number	
26		A/R	Decal - Caution Options:	
	1704625	1	Australian Specs (Prior to S/N 102883)	
	Not Required	0	Australian Specs (S/N 102883 to S/N 149779)	
	1704649	1	Dutch Specs	
	1704626	1	French Specs	
	1704674	1	German Specs	
	1704673	1	Italian Specs	
	1705267	1	Norwegian Spec	
	1705671		Russian Specs	
	1704672	1	Spanish Specs	
	1704625	3	UK Spec	
27	3311405	4	Locknut 1/4"-20NC	
28	4711400	8	Flatwasher 1/4" Narrow	
29	1704559	4	Decal - Max Tire Load (Prior to S/N 136298)	
30	1704412	1	Decal - Hydraulic Oil	
31		1	Decal - Patent Options:	
	1700584		Australian, Dutch, French, German, Italian, Norwegian, Russian & UK Spec	
	1702573		Spanish Specs	
32	2080057	4	Fastener	
		Ref.	<b>Note: Items with Astricks * Included in Kits.</b>	
		A/R	Decal Kit Options:	
	2901912	1	Master Kit (Includes Items 12-18)	4
		1	Multi-Color Kit Options: (Includes Items 20, 22 & 26)	
	2901914		Australian Specs	7
	2901927		Dutch Specs	3
	2901924		French Specs	4
	2901929		German Specs	4
	2901928		Italian Specs	3
	Not Available		Norwegian Spec	
	Not Available		Russian Specs	
	2901925		Spanish Specs	4
	2901914		UK Spec	7

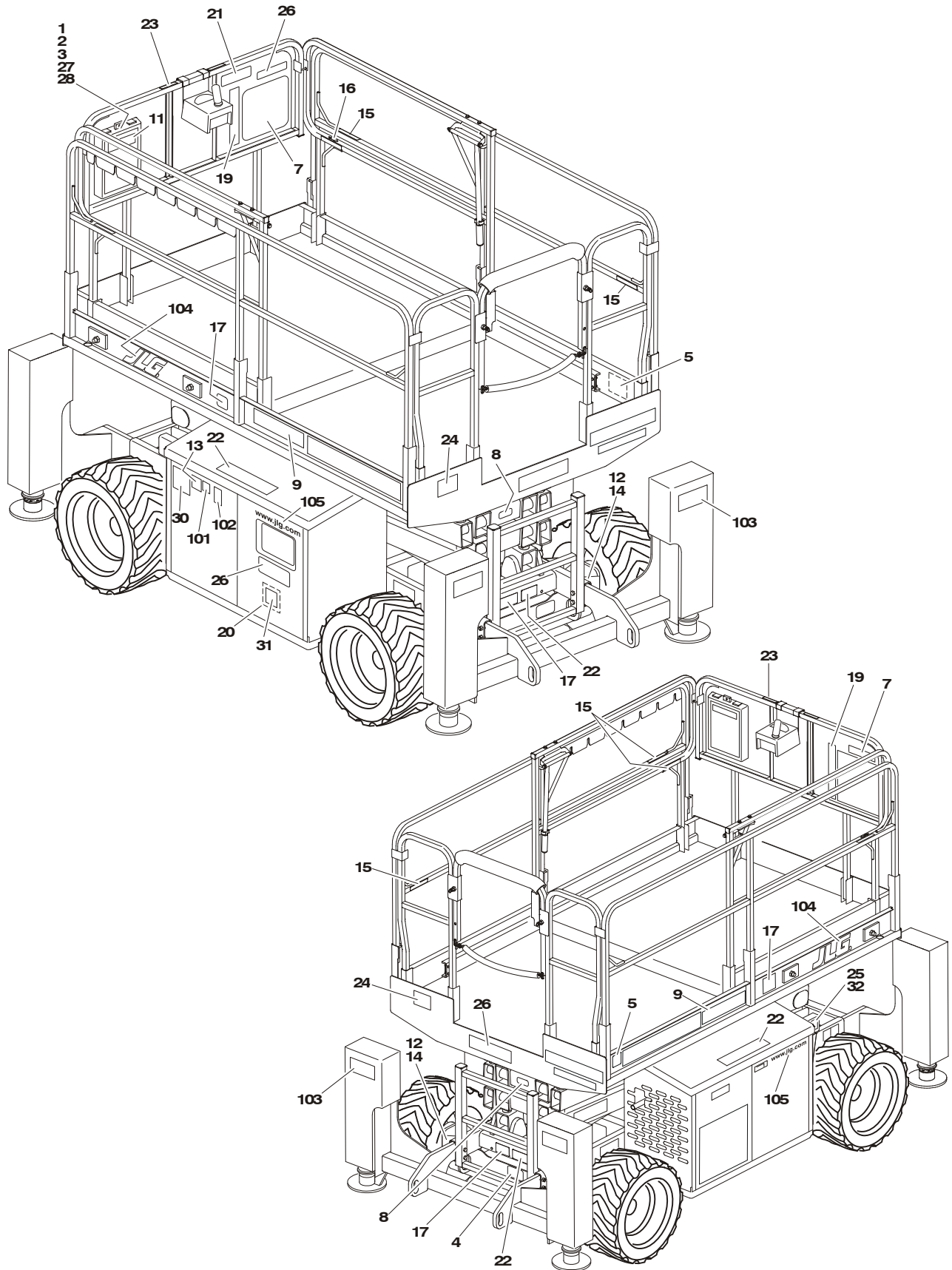
## SECTION 8 DECALS

**FIGURE 8-1. DECAL INSTALLATION (PRIOR TO S/N 149779) (CONTINUED)**

ITEM #	PART NUMBER	QTY.	DESCRIPTION	REV.
		Ref.	<b>OPTIONAL DECAL INSTALLATIONS</b>	
101	1702788	1	Decal - Biodegradable Oil (Optional)	
102	1701505	1	Decal - Fuel (Diesel)	
103	1701785	8	Decal - Outrigger Warning	
			-----	
	0270262	Ref.	JLG Decals Installation	B
104	1702773	3	Decal - JLG	
105	1704885	3	Decal - www.jlg.com	

# SECTION 8 DECALS

## FIGURE 8-2. DECAL INSTALLATION (S/N 149779 TO PRESENT)





## SECTION 8 DECALS

**FIGURE 8-2. DECAL INSTALLATION (S/N 149779 TO PRESENT)**

ITEM #	PART NUMBER	QTY.	DESCRIPTION	REV.
	0275087	Ref.	<b>DECAL INSTALLATION</b>	2
1	0641405	4	Bolt 1/4"-20NC x 5/8"	
2	0860520	1	Box, Manual Storage	
3	1060279	1	Cable, Lanyard	
4	Not Used			
5	Not Available	1	Decal - Bar Code	
6	Not Used			
7	1704548	1	Decal - Capacity	
8	1704138	2	Decal - Safety Prop	
9	1704529	2	Decal - 260MRT	
10	Not Used			
11	1701509	1	Decal - Manual Reference	
12	1703811	4	Decal - Lifting Lugs	
13	1703812	1	Decal - Hydraulic Oil	
14	1703814	4	Decal - Tie Down	
15	1704277	8	Decal - Attach Lanyard Here	
16	1703819	1	Decal - Directional Arrow	
17	1705084	2	Decal - Sound Power Level Decal	
18 to 19	Not Used			
20	1706332	1	Decal - Towing/Winching	
21	Not Used			
22	1706338	4	Decal - Electrocution/Crushing	
23	Not Used			
24	3251813	1	Nameplate - USA	
25	Not Available	1	Nameplate - Serial Number	
26	1705671	1	Decal - Electrocution	
27	3311405	4	Locknut 1/4"-20NC	
28	4711400	8	Flatwasher 1/4" Narrow	
29	Not Used			
30	1704412	1	Decal - Hydraulic Oil	
31	1700584	1	Decal - Patent	
32	2080057	4	Fastener	
		A/R	Decal Kit	
	2901912	1	Master Kit (Includes Items 11-16)	5
		Ref.	<b>OPTIONAL DECAL INSTALLATIONS</b>	
101	1702788	1	Decal - Biodegradable Oil (Optional)	
102	1701505	1	Decal - Fuel (Diesel)	
103	1701785	8	Decal - Outrigger Warning	
		Ref.	JLG Decals Installation	B
104	1702773	3	Decal - JLG	
105	1704885	3	Decal - www.jlg.com	

# SECTION 8 DECALS

**FIGURE 8-2. DECAL INSTALLATION (S/N 149779 TO PRESENT) (CONTINUED)**

ITEM #	PART NUMBER	QTY.	DESCRIPTION	REV.

## SECTION 9 RECOMMENDED SERVICE PARTS STOCK

### MODEL 260MRT

The following list will service one machine (built to current production per date on the front cover) with emergency repair parts which can be installed in the field. Parts from the list should be replaced when inventory is depleted to keep service parts stock supplied. For further information, contact your JLG dealer or the JLG Industries Parts Department.

Part Number	Description	Qty./Machine
<b>STANDARD PARTS</b>		Ref.
2120210	Element (Figure 2-1)	4
7012944	Coil (Figure 2-2)	1
7021376	Coil (Figure 2-2)	1
4360070	Breaker, Circuit 15Amp (Figure 2-9)	1
4360328	Switch, Toggle (Figure 2-9)	1
4360387	Switch, Yellow Push Button (Figure 2-9 & 4-3)	1
4360470	Switch, Key (Figure 2-9)	1
2860030	Key, Replacement (Figure 2-9)	1
4360475	Switch, E-Stop (Figure 2-9 & 4-3)	1
1001102811	Switch Kit, Dual Axis (Figure 2-9)	1
2940074	Latch (Figure 4-2)	1
4360482	Switch, Toggle (Figure 4-3)	1
4360483	Switch, Toggle (Figure 4-3)	1
1600403	Drive/Steer Controller (Figure 4-5)	1
3990010	Diode (Figure 7-4)	2
2400056	Fuse - 5Amp (Figure 7-4)	2
<b>VARIABLE PARTS</b>		Ref.
4360548	Switch, Limit (Figure 1-6) (Auto Leveling Jacks)	1
7024501	Coil (Figure 1-8) (Auto Leveling Jacks)	1
3740049	Relay (Diesel) (Figure 2-4)	1
7023177	Solenoid, Stop (Diesel) (Figure 2-4)	1
7017923	Filter, Oil (Diesel) (Figure 2-4)	12
7017901	Switch, Oil (Diesel) (Figure 2-4)	1
7017950	Element, Fuel (Diesel) (Figure 2-4)	4
7017938	Element, Breather (Diesel) (Figure 2-4)	4
4360548	Switch, Limit (Figure 7-4)	1

# SECTION 9 RECOMMENDED SERVICE PARTS STOCK

## MODEL 260MRT

The following list will service one machine (built to current production per date on the front cover) with emergency repair parts which can be installed in the field. Parts from the list should be replaced when inventory is depleted to keep service parts stock supplied. For further information, contact your JLG dealer or the JLG Industries Parts Department.

Part Number	Description	Qty./Machine

## SECTION 10 SPECIAL OPTIONS

**Note:** This list is to accommodate machines ordered with special equipment. Options may not be applicable to all models. For more specific parts information contact JLG Parts Department.

FIG&ITEM#	PART NUMBER	QTY.	DESCRIPTION	REV.
		Ref.	<b>MISCELLANEOUS SPECIAL OPTIONS</b>	
	0274537	Ref.	<b>AIR LINE INSTALLATION 1/2"</b>	
	0259815	Ref.	<b>BEACON LIGHT INSTALLATION</b>	
	0256789	Ref.	<b>CAMERA MOUNT ASSEMBLY</b>	
	0272099	Ref.	<b>CYLINDER BELLOWS INSTALLATION</b>	
	0460209	1	Steer Cylinder	
	0460210	1	Lift Cylinder	
	1702788	Ref.	<b>DECAL - BIODEGRADABLE OIL</b>	
	0251642	Ref.	<b>DECAL - WARNING STRIPES</b>	
	0274423	Ref.	<b>ENGINE BLOCK HEATER INSTALLATION</b>	
		Ref.	<b>Hydraulic Fluids</b>	
	2300014	Ref.	<b>Mobil 424</b>	
	2300027	Ref.	<b>Mobil 224H Biodegradeable</b>	
	2300039	Ref.	<b>Exxon UNIVIS HVI 26</b>	
	2300016	Ref.	<b>Mobil DTE 13M</b>	
	2300021	Ref.	<b>Union Carbide Ucon HP5046 Fire Resistant</b>	
	0257049	Ref.	<b>PIPE RACKS INSTALLATION</b>	
	0100040	Ref.	<b>SEALANT</b>	
	2901881	Ref.	<b>TIE-STRAPS KIT</b>	
		Ref.	<b>TOOLS FOR SERVICE</b>	
	7002818	1	Crimper (For Wire to Pin/Socket Connections)	
	7002823	1	Extractor (For Removal of Pin/Socket from Connectors)	
	4460467	1	Extractor, Pin (Blue 16-18 Gauge) (For Removal of Pin/Socket	
	4460510	1	Extractor, Pin (Yellow 12-14 Gauge) (For Removal of Pin/Socket	
	7004275	1	Seal Tool (For 1" Diameter Seals)	
	7004276	1	Seal Tool (For 1 1/2" Diameter Seals)	
	7002826	1	Seal Tool (For 2" Diameter Seals)	
	2900838	1	U.S. Standards Fastener (Hardware) Kit	
	7014676	1	U.S. Standards Tool Kit	
	7002820	1	Arbor Set	
	0259814	Ref.	<b>WORK LIGHTS INSTALLATION</b>	

## SECTION 10 SPECIAL OPTIONS

**Note:** This list is to accommodate machines ordered with special equipment. Options may not be applicable to all models. For more specific parts information contact JLG Parts Department.

FIG&ITEM#	PART NUMBER	QTY.	DESCRIPTION	REV.

## SECTION 11 PART NUMBER INDEX

Part Number	Page	Part Number	Page	Part Number	Page	Part Number	Page
0080228	5-9	0259865	3-3, 5-9	0610135	4-11	0861880	7-19
0100011	1-3, 1-19, 1-23, 1-27, 2-3, 2-12, 2-33, 3-9, 4-3, 4-7, 5-3, 5-5, 5-7	0259943	4-7	0610140	2-29	0901870	4-7
0100020	2-11	0259977	1-4	0630476	4-3	0902421	5-9
0100035	5-3, 5-5	0259978	1-4	0641404	2-30, 2-33, 4-11	0902499	4-11
0100038	5-3, 5-7	0270039	2-11	0641405	3-9, 8-3, 8-7	0902592	2-3
0100040	10-1	0270064	2-11, 2-12	0641406	2-11, 2-30, 4-7, 4-19	0902595	2-30
0100048	4-8	0270069	2-29	0641407	1-27, 3-8, 3-9	0902597	2-11
0100075	6-4, 6-8	0270198	4-11	0641408	1-20	0902609	1-19
0140001	2-11	0270262	8-5, 8-7	0641506	2-3, 2-11, 5-9	0902624	2-11
0140011	4-11	0270424	2-29	0641508	1-3, 1-20, 1-23, 1-27, 2-4, 2-11, 2-33, 3-3	0902647	2-11
0140032	1-20	0270451	4-11	0641510	3-3, 4-3	0902648	2-11
0140044	1-20	0270543	1-23	0641512	1-19	0902676	3-9
0181847	4-11	0271878	8-3	0641514	3-9	0902677	3-9
0182035	4-3	0271879	8-3	0641516	4-7	0902678	3-9
0200680	3-3	0271880	8-3	0641524	3-9	0902679	3-9
0200682	3-3	0271881	8-3	0641528	1-23	0903165	1-27
0200699	3-3	0271882	8-3	0641605	2-33	0903421	4-19
0200700	3-3	0271883	8-3	0641606	1-3	0940049	4-4
0200701	3-3	0271884	8-3	0641607	3-8	0940092	4-19
0200702	3-3	0272099	10-1	0641608	1-23, 1-27, 2-3, 2-11, 2-12, 2-33, 4-3	0940094	4-19
0200703	3-3	0272393	1-4	0641610	1-19, 2-11	0940149	4-19
0200704	3-3	0273066	4-3	0641612	3-8	0940178	4-19
0200728	3-3	0273068	4-3	0641620	3-3	0940180	4-19
0200729	3-3	0273069	3-3, 5-9	0641622	3-3, 4-3	0962012	5-9
0240059	3-8, 3-9	0273136	1-20	0641624	3-8	0962220	1-4, 3-3
0251642	10-1	0273205	8-3	0641636	4-3	0962234	1-4, 3-3
0256789	10-1	0273848	1-27	0641638	3-3	0962332	3-9
0257049	10-1	0273857	7-20	0641676	2-11, 4-7	0962333	3-9
0259616	4-3	0274320	2-30	0641812	2-12	1001093121	6-7
0259648	1-3	0274337	1-19	0641816	1-23, 1-27	1001093857	7-18
0259654	1-20	0274357	8-3	0641820	1-23	1001093931	7-18
0259752	2-3	0274423	10-1	0641824	1-20, 1-27	1001093939	7-18
0259753	2-33	0274537	10-1	0641826	3-8	1001093965	7-18
0259757	1-23, 6-11, 6-14	0274650	2-3	0641828	1-23, 1-27	1001093966	7-18
0259778	2-11	0274651	2-30	0641838	1-20	1001093967	7-18
0259781	1-4	0274653	2-30	0642024	1-3	1001093968	7-18
0259796	8-3	0275049	4-19	0642028	1-3	1001093993	7-19
0259797	8-3	0275087	8-7	0651406	2-3	1001096738	2-12, 2-13
0259798	8-3	0275216	7-19	0681506	5-3	1001096739	2-11
0259799	8-3	0275217	7-19	0681508	4-3	1001096740	2-11, 2-12
0259800	8-3	0275218	7-20	0681524	3-3	1001096741	2-11
0259801	8-3	0275219	7-20	0681606	5-3	1001097458	4-8
0259802	8-3	0275453	7-20	0681610	3-3, 4-4	1001100370	1-4
0259803	7-10, 7-16	0275454	7-19	0681810	1-3	1001100371	1-4
0259804	2-30	0320015	5-3	0700619	4-8	1001100372	1-4
0259805	1-19	0362801	7-10, 7-16	0840025	2-11	1001100373	1-4
0259809	7-12, 7-18	0362937	2-33	0840026	2-12	1001102512	2-30
0259810	7-12, 7-18	0400002	2-11	0840055	7-20	1001102811	2-29, 9-1
0259814	10-1	0400003	2-11	0860038	7-12, 7-18	1001109533	1-20
0259815	10-1	0440228	1-4	0860520	8-3, 8-7	1001110710	3-3, 5-9
0259816	1-20	0440237	1-3	0861315	2-29	1001110782	3-4
0259817	1-20	0440241	3-3	0861357	4-11	1060279	8-3, 8-7
0259818	3-8	0440250	3-3	0861731	7-18	1060461	7-12, 7-19
0259820	4-3	0480116	3-8	0861781	7-18	1060680	1-19, 7-11, 7-12, 7-13, 7-17
0259823	2-3	0480117	3-8	0861782	7-18	1060808	4-7
0259835	2-30	0561332	4-3			1060815	7-10, 7-16
		0561407	1-24			1060816	2-11
		0561414	3-8			1060817	2-11
		0561474	4-3				

# SECTION 11 PART NUMBER INDEX

Part Number	Page	Part Number	Page	Part Number	Page	Part Number	Page
1060818	5-9	1704462	2-29	2220237	1-28	2600253	4-7
1060873	7-18	1704529	8-3, 8-7	2220238	1-28	2600264	2-33
1060874	7-18	1704548	8-3, 8-7	2220250	2-11	2600265	2-33
1060875	7-18	1704556	8-3	2220371	5-9, 6-3, 6-4, 6-7, 6-8, 6-11, 6-13	2620029	2-30
1060902	7-13, 7-21	1704559	8-4	2220372	1-28, 6-3, 6-7	2680480	2-33
1060908	7-19	1704574	4-12	2220377	6-4, 6-8	2680481	2-33
1061024	7-12, 7-19	1704589	4-11	2220385	6-4, 6-8	2680493	2-33
1100110	1-19	1704605	8-3	2220415	6-4, 6-8	2680494	2-33
1120108	5-3, 5-5	1704619	8-3	2220451	6-4, 6-8	2716538	6-13
1320016	2-11	1704620	8-3	2220472	6-4, 6-8	2716960	6-13
1320022	2-11	1704621	8-3	2220473	5-9, 6-4, 6-7, 6-8, 6-11	2717235	6-13
1320274	2-11	1704622	8-3	2220490	6-3, 6-4, 6-7, 6-11	2720058	2-12
1380136	2-3	1704625	8-4	2220501	6-4, 6-8, 6-11	2720271	2-12
1600308	4-11, 4-15	1704626	8-4	2220578	6-4, 6-8	2720465	2-12
1600382	2-29	1704649	8-4	2220579	6-4	2720466	2-12
1600386	2-30	1704672	8-4	2220600	6-4, 6-8	2752466	6-11
1600403	4-11, 4-17, 9-1	1704673	8-4	2220603	6-3, 6-7	2752469	6-3, 6-7
1600457	2-29	1704674	8-4	2220619	6-4, 6-8	2752478	6-3, 6-7, 6-11
1670970	2-11	1704786	1-23, 1-27	2220621	6-4	2752489	6-3, 6-7
1671195	1-27	1704885	8-5, 8-7	2220622	6-4, 6-7	2752613	6-3, 6-7
1681283	5-3, 5-5	1705084	8-3, 8-7	2220635	6-3, 6-4, 6-8, 6-11, 6-13	2752622	5-9, 6-3, 6-7
1682723	5-3	1705257	8-4	2220738	6-4, 6-8	2752649	6-11
1683054	5-7	1705267	8-4	2220819	6-11	2752966	6-11
1683887	3-3, 5-9	1705325	7-19	2220827	6-3	2753068	6-13
1683957	1-3, 5-11	1705671	8-4, 8-7	2220852	6-4, 6-8	2753375	6-3, 6-7
1683966	1-23, 5-3	1705711	4-11	2220865	6-4	2753377	6-3, 6-7
1683967	5-3, 5-5	1705729	2-29	2220869	2-11	2753378	6-3, 6-7
1684206	5-5	1705947	4-11	2220883	1-24, 1-28, 5-3, 5-5	2753379	6-3, 6-7
1684217	1-23, 5-5	1705948	4-11	2220899	6-3, 6-7	2753380	6-3, 6-7
1684220	1-27, 5-7	1706332	8-3, 8-7	2220906	6-4, 6-8	2753381	6-3, 6-7
1684221	5-7	1706338	8-4, 8-7	2220919	6-4, 6-8	2753382	6-3, 6-7
1684223	5-7	1780312	2-33	2220947	6-4, 6-8	2753383	6-3, 6-7
1700584	8-4, 8-7	1780313	2-33	2220948	6-4, 6-8	2753384	6-3
1701214	1-27	1780315	2-33	2220998	6-4, 6-8	2753385	6-3
1701502	2-3	1780323	2-33	2221025	6-4, 6-8	2753386	6-3
1701503	2-3	1810001	4-11	2221036	6-4, 6-8	2753387	6-3
1701505	8-5, 8-7	1810002	2-29	2221042	6-8	2753388	6-3, 6-7
1701509	8-3, 8-7	1810012	2-29	2221047	2-11	2753389	6-3, 6-7
1701785	8-5, 8-7	1810017	4-11	2221048	6-3	2753391	6-3
1702507	7-19	2000168	2-12, 2-13	2221049	6-4, 6-8	2753392	6-3, 6-7
1702573	8-4	2080053	1-3, 1-23, 1-27, 2-33	2221075	6-4, 6-8	2753393	6-3, 6-7
1702773	8-5, 8-7	2080056	3-9	2221076	6-4, 6-8	2753394	6-3, 6-7
1702788	8-5, 8-7, 10-1	2080057	8-4, 8-7	2221076	6-4, 6-8	2753395	6-3, 6-7
1703175	4-3	2080063	4-7	2221086	6-4, 6-8	2753396	6-3, 6-7
1703464	7-12, 7-19	2080064	4-7	2230024	6-3, 6-7	2753397	6-3, 6-7
1703788	8-3	2080069	4-7	2300014	10-1	2753398	5-9, 6-3, 6-7
1703811	8-3, 8-7	2110606	1-27	2300016	10-1	2753488	6-11
1703812	2-3, 8-3, 8-7	2110608	1-28	2300021	10-1	2753503	6-3, 6-7
1703814	8-3, 8-7	2110808	1-28	2300027	10-1	2753504	6-3, 6-7
1703818	8-4	2120146	2-3	2300039	10-1	2753505	6-3, 6-7
1703819	8-3, 8-7	2120150	2-3	2360523	1-4	2753579	6-13
1703841	8-4	2120172	6-4, 6-8	2400056	7-12, 7-17, 9-1	2753626	6-13
1703865	8-4	2120209	2-3	2400093	7-19	2792402	6-3, 6-14
1703882	8-4	2120210	2-3, 9-1	2420172	2-29	2792431	6-11, 6-14
1703887	8-4	2130606	1-28, 6-13	2420190	2-3	2792686	6-13, 6-14
1703894	8-4	2170506	6-13	2560088	4-7	2792717	6-7, 6-14
1704138	8-3, 8-7	2170508	6-13	2560141	4-11	2860030	2-29, 9-1
1704277	8-3, 8-7	2180467	2-11				
1704412	8-4, 8-7	2200233	2-3				



# SECTION 11 PART NUMBER INDEX

Part Number	Page	Part Number	Page	Part Number	Page	Part Number	Page
2900770	5-3, 5-5		2-11, 2-12, 3-3,	3572388	1-23, 1-27	3960483	5-7
2900838	10-1		3-9, 4-3, 4-7	3572430	2-12	3960525	2-3
2901881	10-1	3311601	2-3	3572472	3-8	3980003	2-11
2901912	8-4, 8-7	3311605	1-19, 1-27, 2-3, 2-11, 2-12, 2-33,	3572473	3-8	3990010	7-10, 7-16, 7-17, 9-1
2901914	8-4		3-3, 3-8, 4-3, 4-7	3573513	5-5, 5-7	4000006	2-29
2901924	8-4	3311805	1-20, 1-23, 1-27, 1-28, 3-8	3574649	3-9	4060128	7-13, 7-20
2901925	8-4			3574650	3-9	4060802	4-11
2901927	8-4	3312005	1-3	3600300	2-12, 2-17	4060807	2-4
2901928	8-4	3321402	5-9	3600301	2-12, 2-25	4060808	2-4
2901929	8-4	3322002	1-3	3600307	2-12	4061003	1-23
2901941	5-3, 5-5	3322002	1-3	3600369	2-12, 2-27	4061016	3-8
2902023	5-3	3322202	4-3	3600373	2-12	4061017	3-8
2902039	4-8	3340866	3-3	3600414	2-12, 2-21	4061018	3-8
2902182	5-7	3340879	3-3	3600415	2-12	4070987	2-29
2902206	1-24	3340895	4-12	3641342	4-7	4070991	2-29
2902213	2-33	3340902	3-9	3641344	4-7	4100033	2-4
2902215	1-3	3421565	4-7	3641345	4-7	4130377	1-3
2902216	3-8	3422219	4-7	3641351	4-7	4130380	1-3
2902259	3-4	3422655	4-3	3730124	7-13, 7-20	4160116	1-23, 1-28
2902260	3-4	3422709	3-3	3740049	2-12, 9-1	4160136	3-9
2902549	7-20	3422714	3-3	3760170	4-7	4160185	2-33
2910479	2-11	3422777	4-3	3760261	5-3	4210017	1-27
2920026	2-29, 2-30, 4-12	3422803	1-3	3760321	4-4	4240018	2-4
2920029	2-29, 4-12	3422815	3-3	3760348	1-28, 4-3	4240033	3-8
2940074	4-7, 9-1	3422838	3-3	3760368	5-7	4240125	3-4
2940126	2-33	3422839	3-3	3760387	3-3	4240128	3-4
2940127	4-8	3422840	3-3	3760419	3-3	4240140	2-3
3020022	3-4	3422962	4-3	3760453	5-3	4240141	2-3
3160244	1-3, 1-7	3431024	1-3	3760460	5-5, 5-7	4340719	3-8, 3-9
3160245	1-3, 1-15	3431032	1-3	3820020	2-3, 4-7	4340720	3-8, 3-9
3160254	1-3, 1-11	3431220	1-3	3841143	4-4	4340721	3-8, 3-9
3160255	1-3, 1-17	3440420	1-23	3841146	1-3	4340722	3-8, 3-9
3180013	3-9	3450404	7-10, 7-16	3841233	4-3	4340885	1-28
3180015	3-9	3450405	5-9	3841326	1-23	4340886	1-27
3200453	1-19	3450406	1-3	3841468	1-3	4340887	2-30
3251813	8-4, 8-7	3460320	2-12	3841469	1-3	4341007	1-19
3252695	4-11	3480092	5-3, 5-5	3841564	1-28	4341135	4-19
3271505	4-3	3510730	4-3	3860059	4-3	4360070	2-29, 9-1
3290601	4-8	3510767	4-3	3900128	2-3	4360328	2-29, 9-1
3300048	7-19	3510791	4-3	3900170	5-3	4360387	2-29, 4-11, 9-1
3300151	4-7	3510797	4-3	3900178	4-11	4360470	2-29, 9-1
3300281	5-3	3520030	2-30	3900208	2-33	4360475	2-29, 4-11, 9-1
3300356	4-7	3520071	1-20	3900265	4-11	4360481	2-29
3300409	1-3	3520072	3-8, 4-7, 4-19	3900267	4-7	4360482	4-12, 9-1
3300420	4-8	3520080	4-11	3900281	2-29	4360483	4-12, 9-1
3300432	4-7	3520193	2-30, 4-12	3900289	2-33	4360502	1-19
3300454	1-27	3536708	5-3	3900321	5-5, 5-7	4360518	1-28
3300465	5-5	3537609	4-7	3910606	2-29	4360548	1-19, 7-13, 7-20, 9-1
3300467	4-8	3537619	4-3	3910612	2-29	4400425	2-3, 2-4
3300474	1-19	3539690	2-33	3910616	2-29	4400428	2-3
3310601	4-11	3571829	4-7	3910804	2-29	4400458	2-3, 2-4
3310801	1-19, 1-23, 2-33	3571862	4-7	3911008	4-7	4420008	4-12
3310805	1-27	3571985	2-33	3911428	4-7	4420037	1-23, 2-3, 2-33, 3-4
3311405	1-20, 1-27, 2-12, 2-30, 2-33, 3-8, 3-9, 4-8, 4-19, 8-4, 8-7	3572305	2-33	3911532	4-7	4420039	1-23, 1-27
		3572324	1-3, 1-23, 1-27	3930334	1-19	4420052	1-23, 1-27
		3572325	1-3	3930820	1-19, 1-23, 1-27	4420068	4-19
		3572326	1-3, 1-23, 1-27	3931516	5-7	4460044	7-12, 7-17
3311501	2-33, 4-4	3572384	1-23, 1-27	3951603	1-19	4460071	7-12, 7-19
3311505	1-3, 1-19, 1-20, 2-4,	3572385	1-23, 1-27	3960200	5-7	4460226	4-17

# SECTION 11 PART NUMBER INDEX

Part Number	Page	Part Number	Page	Part Number	Page	Part Number	Page
4460227	7-13, 7-20	4460892	7-13, 7-20	4712000	1-3	70000081	4-17
4460248	7-12, 7-17	4460894	7-13, 7-20	4712200	1-3	70000082	4-17
4460265	4-15, 4-17, 7-11, 7-17	4460898	7-13, 7-20	4713000	5-3, 5-5	70000083	4-17
4460266	4-15, 4-17, 7-10, 7-16	4460899	7-13, 7-20	4740120	4-12	70000084	4-17
4460267	4-15, 4-17, 7-10, 7-11, 7-12, 7-13, 7-16, 7-17, 7-18	4460933	7-13, 7-20	4740333	3-4	70000085	4-17
4460268	4-15, 7-11, 7-12, 7-13, 7-17, 7-18	4460934	7-13, 7-20	4740415	1-23	70000683	4-17
4460320	7-11, 7-12, 7-13, 7-17, 7-18	4460935	7-13, 7-20	4740438	3-4	70000684	4-17
4460321	7-11, 7-17	4460956	7-19	4740480	7-10, 7-16	70000685	4-17
4460328	7-12	4460957	7-19	4750600	2-30	70000686	4-17
4460424	7-10, 7-11, 7-12, 7-13, 7-16, 7-17, 7-18	4460968	1-19, 7-11, 7-12, 7-13, 7-17, 7-19, 7-20	4750800	1-19, 1-23, 1-27, 2-33	70000934	2-3
4460428	7-11, 7-12	4461197	7-19	4751000	2-4, 4-7	70001140	2-13
4460434	7-11, 7-17	4461198	7-18, 7-19	4751400	1-20, 2-30, 4-8	70001865	2-14
4460449	7-10, 7-16	4461199	7-19	4751600	1-27, 2-11, 2-12, 3-8, 4-3, 4-8	70001933	2-13
4460464	7-10, 7-11, 7-13, 7-16, 7-17, 7-20	4461200	7-19	4752000	1-3	70001934	2-13
4460465	1-19, 7-10, 7-11, 7-12, 7-13, 7-16, 7-17, 7-20, 7-21	4461201	7-18	4760600	2-30, 4-12	70001935	2-13
4460466	7-13, 7-20	4461202	7-19	4761000	2-30	70001968	2-21
4460467	7-13, 7-21, 10-1	4461203	7-19	4761400	2-30	70002272	2-13
4460468	7-10, 7-16	4461204	7-18	4791400	4-12	70002273	2-13
4460470	4-12, 7-10, 7-16	4461205	7-19	4845938	4-12	70002274	2-13
4460471	4-12, 7-10, 7-16	4461206	7-19	4846024	3-4	70002275	2-14
4460473	7-10, 7-16	4461207	7-18	4846116	1-20	70002316	2-14
4460480	4-12, 7-10, 7-16	4461244	7-18	4846120	4-7	70002317	2-14
4460481	7-10, 7-16	4461245	7-18	4846121	4-7	70002319	2-13
4460499	7-10, 7-11, 7-13, 7-17, 7-20	4461246	7-18	4846122	4-7	70002320	2-13
4460510	7-13, 7-21, 10-1	4461249	7-19	4846123	4-7	70002321	2-13
4460539	7-11, 7-13, 7-17, 7-20	4461250	7-19	4846143	4-3	70002322	2-13
4460633	7-19	4520233	1-4	4846146	1-23	70002323	2-13
4460761	7-13, 7-20	4565647	5-3	4846181	4-7	70002324	2-13
4460812	7-10, 7-16	4568099	3-9	4846191	4-7	70002325	2-13
4460814	7-10, 7-16	4568109	3-8	4846249	4-12	70002326	2-13
4460817	7-10, 7-16	4568110	3-8	4846256	4-8	70002327	2-13
4460818	7-10, 7-16	4568295	4-3	4846271	4-19	70002328	2-13
4460819	7-10, 7-16	4640495	5-3, 5-5	4846271	4-19	70002329	2-13
4460824	7-11	4641104	5-9	4846584	5-5, 5-7	70002330	2-14
4460825	7-11	4641109	2-3, 2-7	4860207	1-4	70002331	2-13
4460827	7-11, 7-16	4641121	2-3, 2-9	4891800	1-3	70002419	2-13
4460828	7-10, 7-16	4641121	2-3, 2-9	4922339	2-30, 7-11	7001626	5-11
4460829	7-10, 7-11, 7-16	4641150	1-23, 1-24	4922365	2-30, 7-10	7002818	10-1
4460834	7-10, 7-16	4641151	1-24	4922378	2-30, 7-11	7002820	10-1
4460836	7-13, 7-20	4641152	1-24	4922379	7-10, 7-16	7002821	7-13, 7-21
4460845	7-10, 7-16	4641156	5-3, 5-5	4922391	4-12, 7-10, 7-16	7002823	7-13, 7-21, 10-1
4460851	7-13, 7-20	4641172	5-9	4922428	3-4, 7-11, 7-17	7002826	10-1
4460852	7-13, 7-20	4641238	1-28	4922436	2-30, 7-10	7002828	7-13, 7-21
4460884	7-11, 7-17	4641240	1-28	4922437	4-12, 7-10, 7-16	7003226	5-9
4460885	7-11, 7-17	4641240	1-28	4922437	4-12, 7-10, 7-16	7003790	4-15
4460891	7-13, 7-21	4641374	1-27, 1-28	4922439	7-12, 7-17	7003791	4-15
		4711400	1-27, 2-3, 2-12, 2-30, 2-33, 3-8, 3-9, 4-19, 5-9, 8-4, 8-7	4922454	1-23, 7-12	7004275	10-1
				4922455	1-23, 7-12	7004276	10-1
				4922456	1-23, 7-12	7010543	2-7
				4922564	7-18	7011940	4-15
		4711500	1-3, 1-19, 1-20, 1-23, 1-27, 2-3, 2-33, 3-4, 4-3, 4-7	4922630	1-19, 7-17	7011997	4-15
				4922713	7-12	7012773	2-7
				4922748	1-27, 7-13, 7-20	7012903	1-24
		4711600	1-19, 1-23, 2-4, 2-12, 2-33, 3-4, 3-8, 4-7, 7-10, 7-16	4922915	3-4	7012904	2-9
				4923135	2-31, 7-13, 7-20	7012941	2-7
				4923136	2-31, 7-13, 7-20	7012943	1-24
				4923137	1-19, 7-13, 7-21	7012944	2-7, 9-1
		4711800	1-20, 1-23, 1-27, 1-28, 2-12	4923293	2-30, 7-17	7012953	2-7
				4923295	2-30, 7-16	7012967	2-7, 2-9

# SECTION 11 PART NUMBER INDEX

Part Number	Page	Part Number	Page	Part Number	Page	Part Number	Page
7012975	2-9	7020531	4-15	7023219	2-4	7023894	2-18
7012998	2-7	7020532	4-15	7023276	1-11, 1-17	7023895	2-18
7014676	10-1	7020533	4-15	7023278	1-11, 1-17	7023896	2-18
7014802	2-4	7020534	4-15	7023279	1-11, 1-17	7023897	2-18
7014811	2-4	7020535	4-15	7023280	1-11, 1-17	7023898	2-18
7014816	2-4	7021365	2-7	7023281	1-11, 1-17	7023899	2-18
7016312	2-3	7021375	2-7	7023282	1-11, 1-17	7023916	2-7
7017290	5-11	7021376	2-7, 9-1	7023283	1-11, 1-17	7023971	2-7
7017291	5-11	7021629	2-7	7023284	1-11, 1-17	7023972	2-7
7017294	5-11	7021653	1-24	7023285	1-17	7023973	2-7
7017387	5-9	7022380	2-17	7023286	1-11, 1-17	7023974	2-7
7017405	2-9	7022523	2-7, 2-9	7023287	1-11, 1-17	7023975	2-7
7017410	2-7	7022524	2-9	7023288	1-11, 1-17	7023976	2-7
7017425	2-9	7022527	2-7	7023289	1-11, 1-17	7024000	2-19
7017454	1-24	7022529	2-7	7023290	1-11, 1-17	7024001	2-19
7017901	2-13, 9-1	7022531	2-7	7023291	1-11, 1-17	7024002	2-19
7017923	2-13, 9-1	7022585	1-8	7023292	1-11, 1-17	7024003	2-19
7017924	2-13	7022586	1-7, 1-15	7023293	1-11	7024004	2-19, 2-22
7017937	2-14	7022587	1-7, 1-15	7023294	1-11	7024005	2-19, 2-23
7017938	2-13, 9-1	7022588	1-7, 1-15	7023295	1-11	7024006	2-19
7017942	2-13	7022589	1-7	7023296	1-11	7024007	1-15
7017949	2-14	7022590	1-7, 1-15	7023297	1-12	7024008	1-15
7017950	2-13, 9-1	7022591	1-7, 1-15	7023298	1-12	7024064	2-21
7017955	2-13	7022592	1-7	7023301	1-12, 1-17	7024065	2-21, 2-22
7017963	2-14	7022593	1-7	7023302	1-11, 1-17	7024068	2-21, 2-23
7017967	2-13	7022594	1-7	7023303	1-11, 1-17	7024069	2-21
7017968	2-13	7022595	1-7	7023304	1-12	7024070	2-21
7017969	2-13	7022596	1-7	7023305	1-12	7024071	2-22
7017992	2-14	7022597	1-7	7023800	1-8	7024072	2-22
7018408	1-12	7022598	1-8	7023801	1-15	7024073	2-22
7018411	1-11, 1-17	7022599	1-8	7023806	1-7, 1-15	7024075	2-22
7018435	1-17	7023005	5-11	7023807	1-7, 1-15	7024076	2-22
7018436	1-11, 1-17	7023006	5-11	7023808	2-25	7024077	2-22
7018903	2-7	7023124	2-13	7023813	2-25	7024081	2-22
7018904	2-7	7023126	2-13	7023816	2-25	7024082	2-22
7018936	2-21	7023137	2-13	7023817	2-25	7024083	2-23
7018942	2-7	7023141	2-13	7023818	2-25	7024084	2-23
7019878	5-9	7023144	2-13	7023819	2-25	7024085	2-23
7019879	5-9	7023148	2-14	7023834	2-18	7024086	2-23
7019880	5-9	7023149	2-14	7023854	2-19	7024087	2-23
7019881	5-9	7023160	2-13	7023855	2-19	7024088	2-23
7019882	5-9	7023164	2-13	7023856	2-19	7024089	2-23
7020020	2-3	7023169	2-13	7023859	2-19	7024441	2-4
7020175	2-29, 4-11	7023170	2-13	7023877	2-17	7024443	2-4
7020176	2-29, 4-11	7023172	2-13	7023878	2-17	7024445	2-4
7020253	2-4	7023173	2-13	7023879	2-17	7024446	2-4
7020256	2-4	7023177	2-13, 9-1	7023881	2-17, 2-22	7024497	1-28
7020257	2-3	7023178	7-11, 7-17	7023882	2-17	7024498	1-28
7020500	4-15	7023179	7-11, 7-17	7023883	2-18	7024499	1-28
7020501	4-15	7023180	7-11, 7-17	7023884	2-18	7024500	1-28
7020502	4-15	7023181	7-11, 7-17	7023885	2-18	7024501	1-28, 9-1
7020503	4-15	7023182	7-11, 7-17	7023886	2-18	7024502	1-28
7020504	4-15	7023183	7-11, 7-17	7023887	2-17	7024503	1-28
7020509	4-15	7023199	2-14	7023888	2-17	7024504	1-28
7020511	4-15	7023206	2-3	7023889	2-17	7024505	1-28
7020520	4-15	7023207	2-3	7023890	2-18	7024506	1-28
7020527	4-15	7023208	2-7	7023891	2-18	7024507	1-28
7020529	4-15	7023209	2-7	7023892	2-18	7024822	1-24
7020530	4-15	7023210	2-7	7023893	2-18	7024873	2-9

# SECTION 11 PART NUMBER INDEX

Part Number	Page	Part Number	Page	Part Number	Page	Part Number	Page
7024908	2-22						
7024929	2-7						
7024960	2-27						
7024961	2-27						
7026121	2-4						
7026191	1-12						
7026202	2-14						
7026205	2-13						
7026211	2-13						
7026575	2-4						
7027365	4-17						
7027367	4-17						
7027765	4-17						
7027766	4-17						
7027888	1-11, 1-17						
7028877	2-21						
80934596	2-21						
80934644	2-23						





3121802



An Oshkosh Corporation Company

Corporate Office  
JLG Industries, Inc.  
1 JLG Drive  
McConnellsburg PA. 17233-9533  
USA

☎ (717) 485-5161

📠 (717) 485-6417

## JLG Worldwide Locations

JLG Industries (Australia)  
P.O. Box 5119  
11 Bolwarra Road  
Port Macquarie  
N.S.W. 2444  
Australia

☎ +61 2 65 811111

📠 +61 2 65 810122

JLG Latino Americana Ltda.  
Rua Eng. Carlos Stevenson,  
80-Suite 71  
13092-310 Campinas-SP  
Brazil

☎ +55 19 3295 0407

📠 +55 19 3295 1025

JLG Industries (UK) Ltd  
Bentley House  
Bentley Avenue  
Middleton  
Greater Manchester  
M24 2GP - England

☎ +44 (0)161 654 1000

📠 +44 (0)161 654 1001

JLG France SAS  
Z.I. de Baulieu  
47400 Fauillet  
France

☎ +33 (0)5 53 88 31 70

📠 +33 (0)5 53 88 31 79

JLG Deutschland GmbH  
Max-Planck-Str. 21  
D - 27721 Ritterhude - Ihlpohl  
Germany

☎ +49 (0)421 69 350 20

📠 +49 (0)421 69 350 45

JLG Equipment Services Ltd.  
Rm 1107 Landmark North  
39 Lung Sum Avenue  
Sheung Shui N. T.  
Hong Kong

☎ (852) 2639 5783

📠 (852) 2639 5797

JLG Industries (Italia) s.r.l.  
Via Po. 22  
20010 Pregnana Milanese - MI  
Italy

☎ +39 029 359 5210

📠 +39 029 359 5845

Oshkosh-JLG Singapore  
Technology Equipment Pte Ltd  
29 Tuas Ave 4,  
Jurong Industrial Estate  
Singapore, 639379

☎ +65-6591 9030

📠 +65-6591 9031

JLG Polska  
Ul. Krolewska  
00-060 Warszawa  
Poland

☎ +48 (0)914 320 245

📠 +48 (0)914 358 200

JLG Industries (Scotland)  
Wright Business Centre  
1 Lonmay Road  
Queenslie, Glasgow G33 4EL  
Scotland

☎ +44 (0)141 781 6700

📠 +44 (0)141 773 1907

Plataformas Elevadoras  
JLG Iberica, S.L.  
Trapadella, 2  
P.I. Castellbisbal Sur  
08755 Castellbisbal, Barcelona  
Spain

☎ +34 93 772 4700

📠 +34 93 771 1762

JLG Sverige AB  
Enkopingsvagen 150  
Box 704  
SE - 176 27 Jarfalla  
Sweden

☎ +46 (0)850 659 500

📠 +46 (0)850 659 534

[www.jlg.com](http://www.jlg.com)